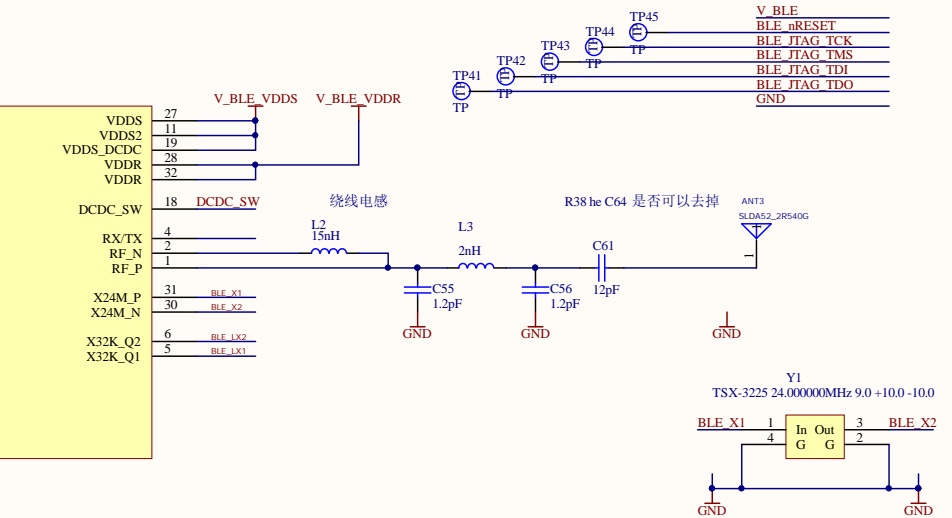
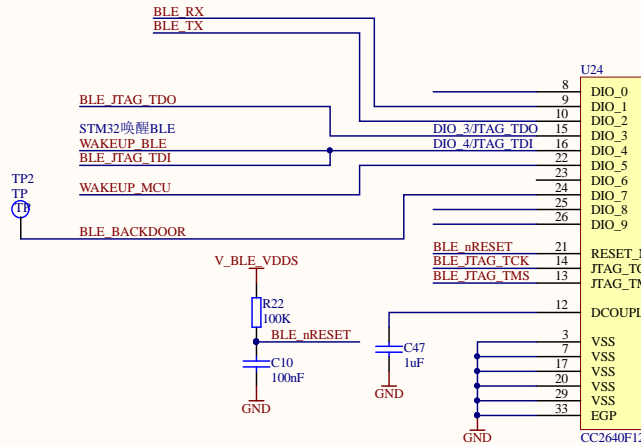
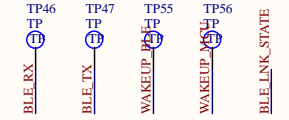
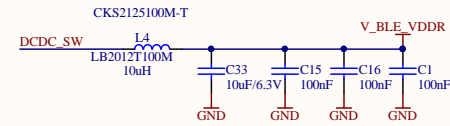
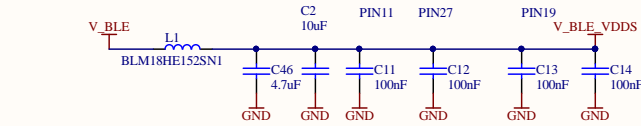
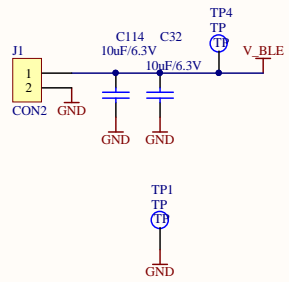
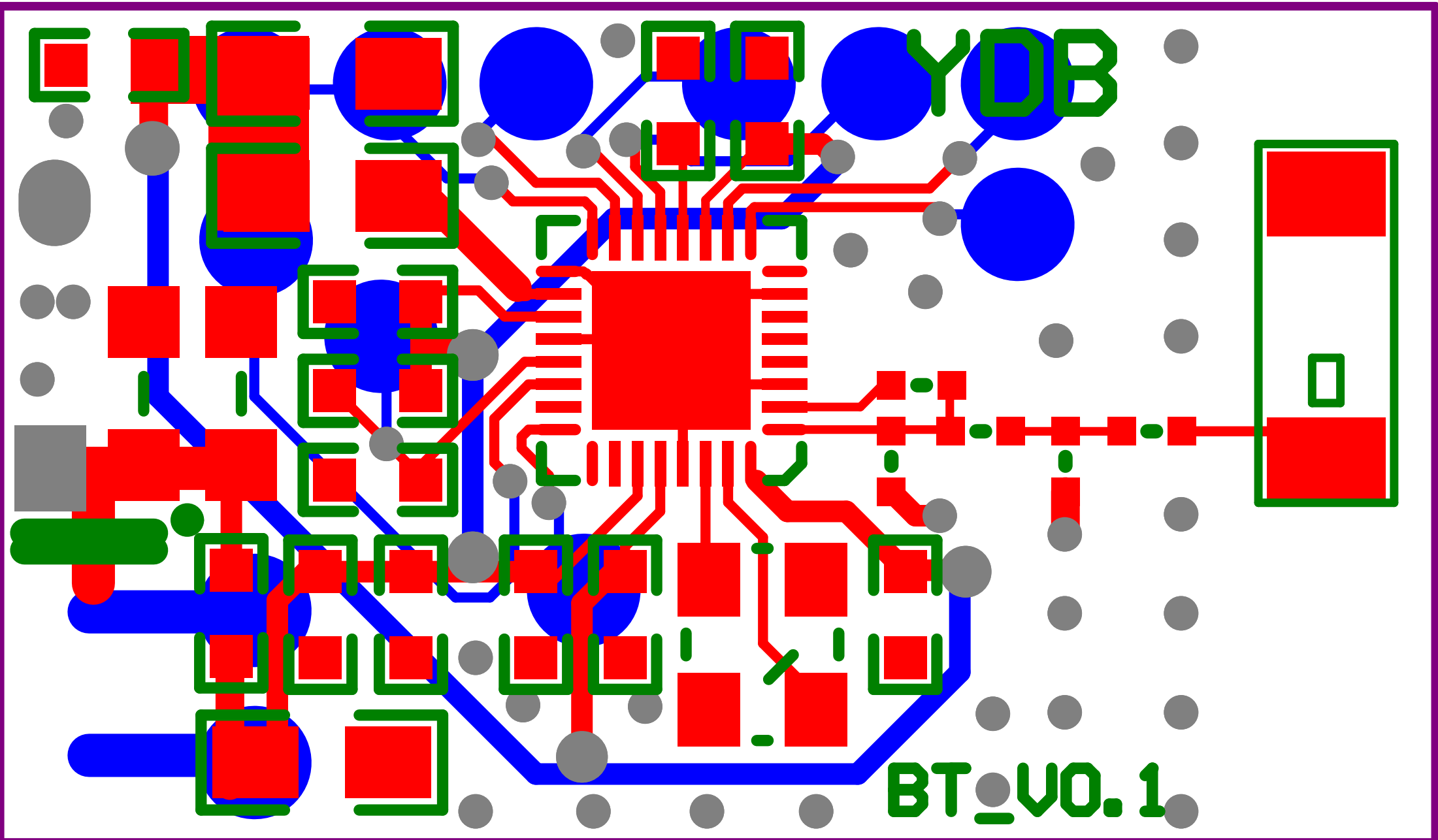


# BLE



Title		
Size	Number	Revision
B		
Date:	2018/12/7	Sheet of
File:	E:\Jeff-w\BT.SchDoc	Drawn By:



YDB

BT\_V0.1