

6

5

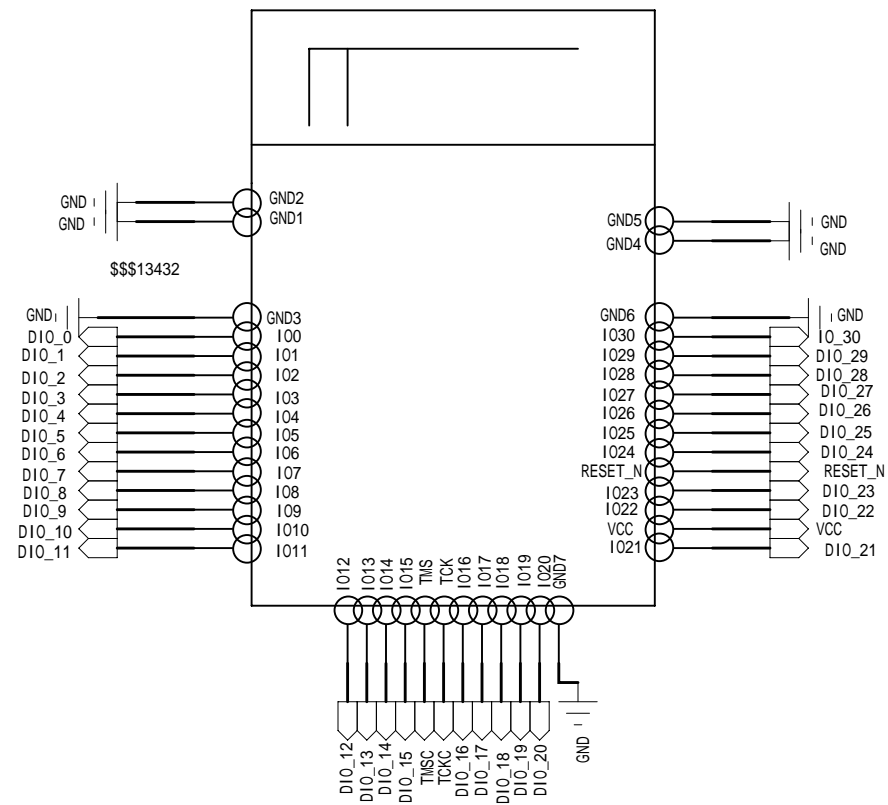
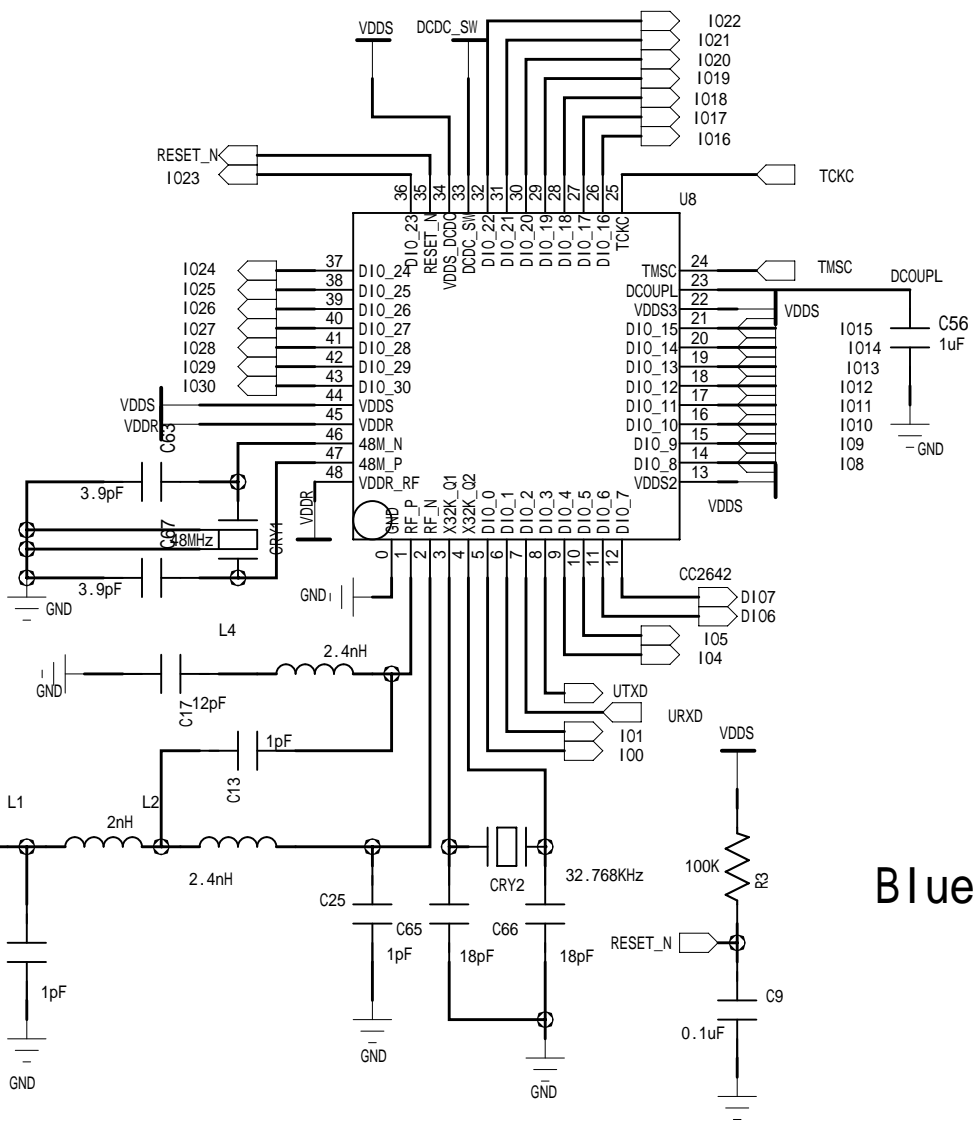
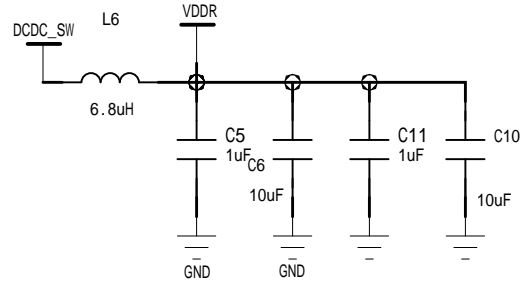
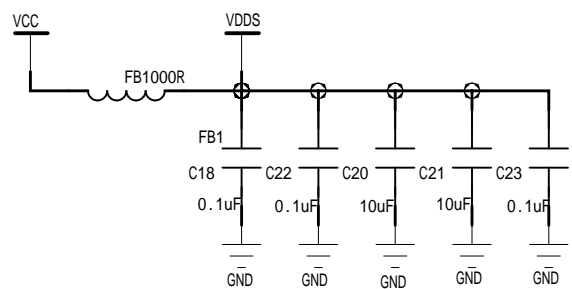
4

3

2

1

REVISION RECORD			
LTR	ECO NO:	APPROVED:	DATE:



### Bluetooth UART

COMPANY: JUSTEC			
TITLE: BT-MODE-CC2642_V1.3			
CODE: <Code>	SIZE: A3	DRAWING NO: <Drawing Number>	REV: 1.3
SCALE: <Scale>			SHEET: 1 OF 1

D

C

B

A

D

C

B

A