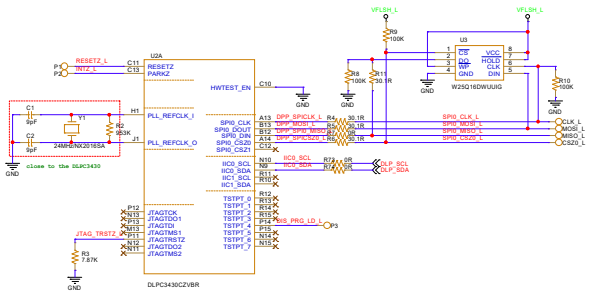
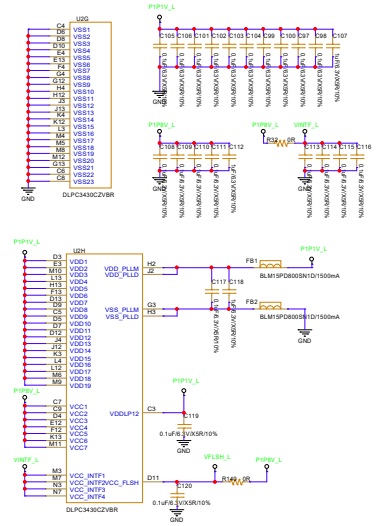


Glass Left

DLPC3430 Clock, Reset, SPI and Flash Memory

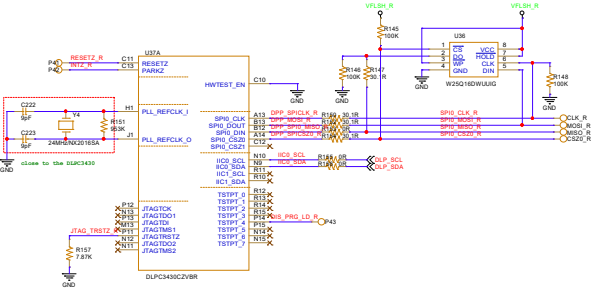


DLPC3430 Power

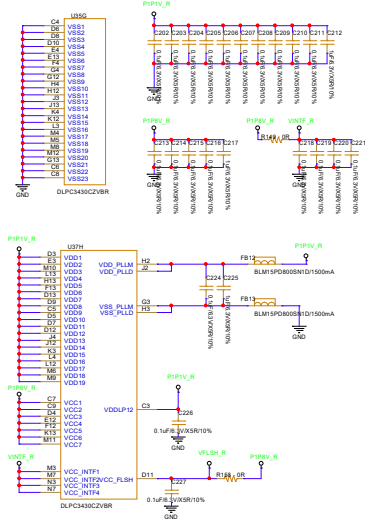


Glass Right

DLPC3430 Clock, Reset, SPI and Flash Memory



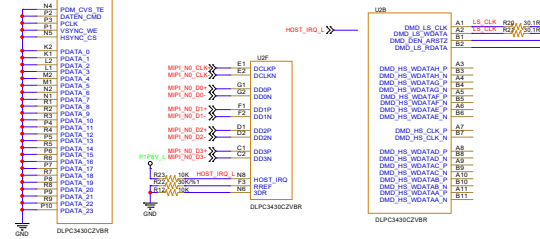
DLPC3430 Power



RGB Input

DSI Input

DSI output



RGB Input

DSI Input

DSI output

