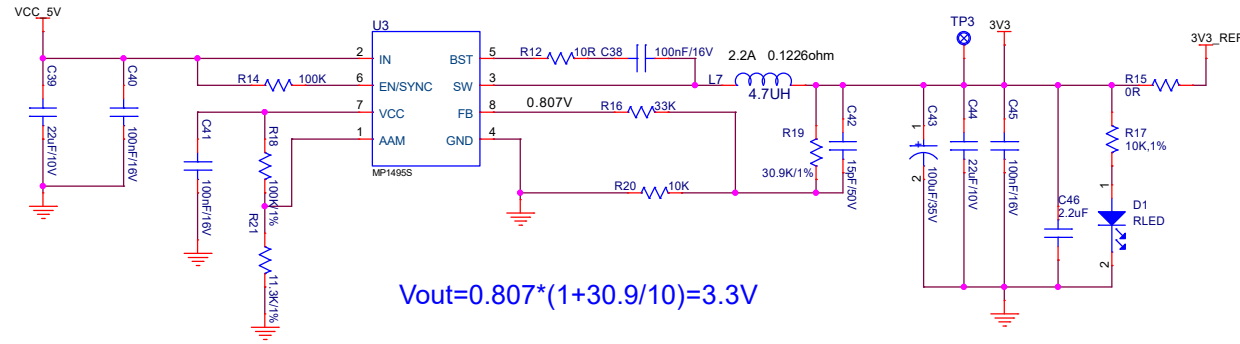
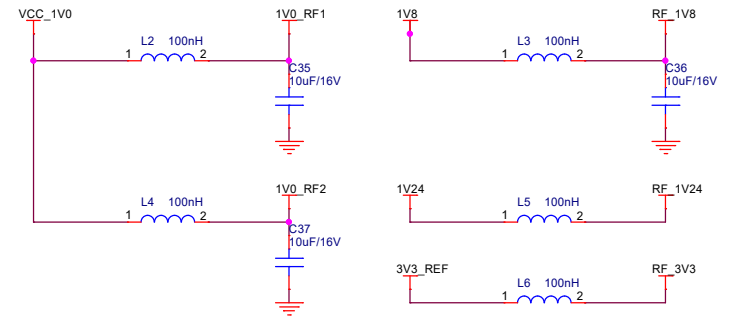
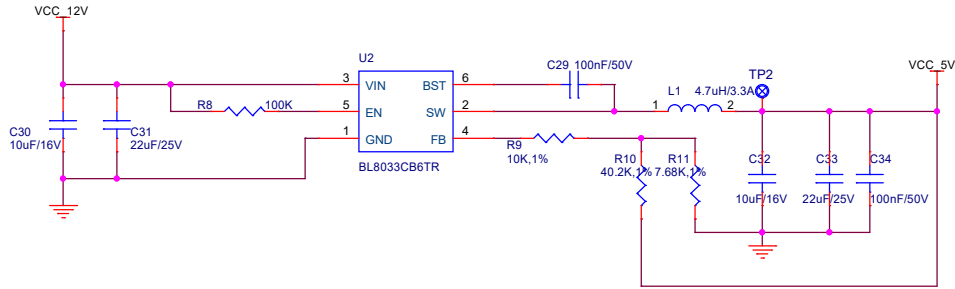
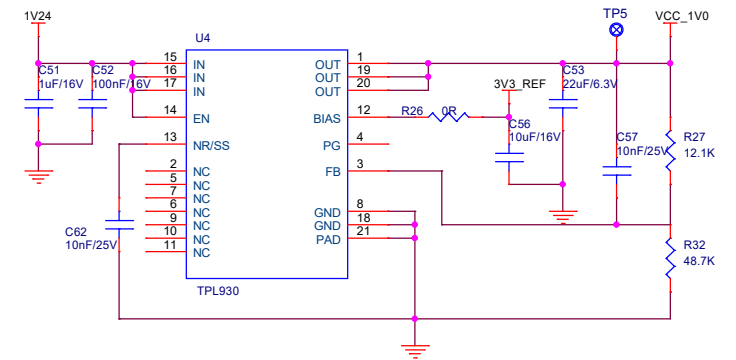
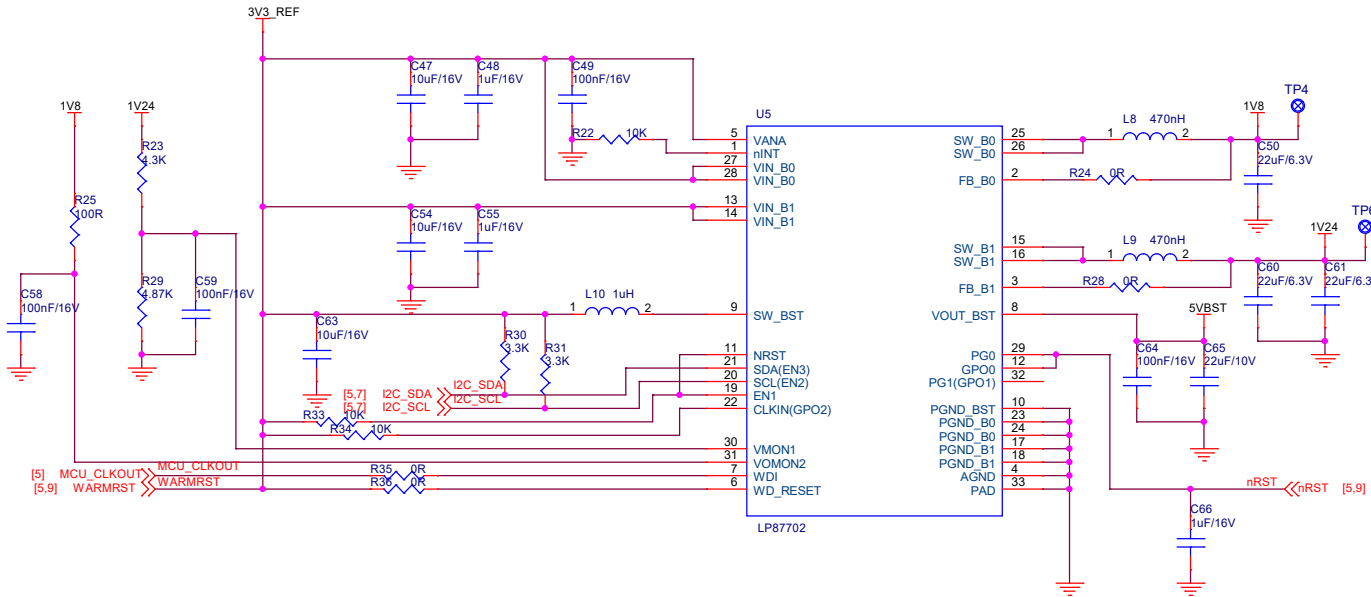




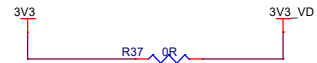
# POWER



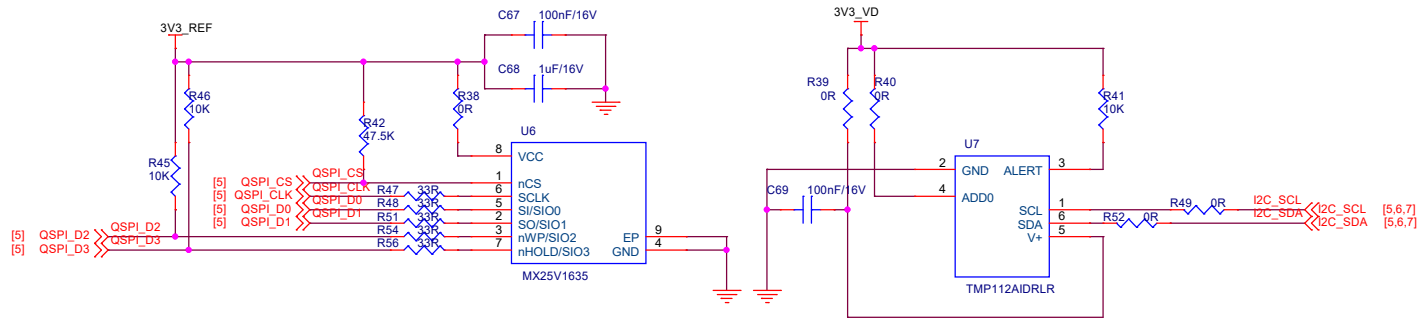
$$V_{out} = 0.807 * (1 + 30.9/10) = 3.3V$$



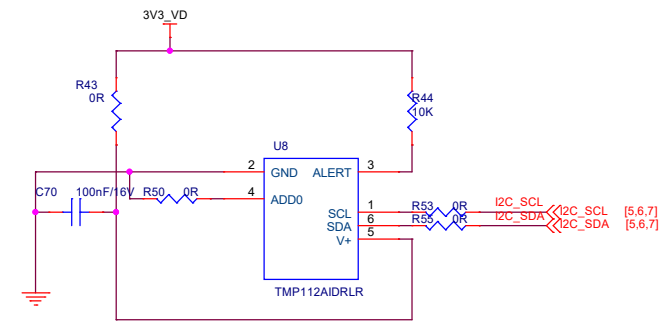
# Flash&Sensor



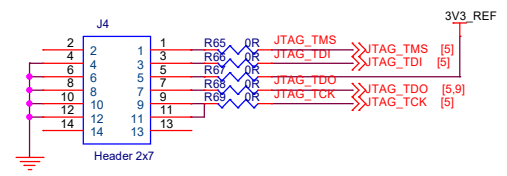
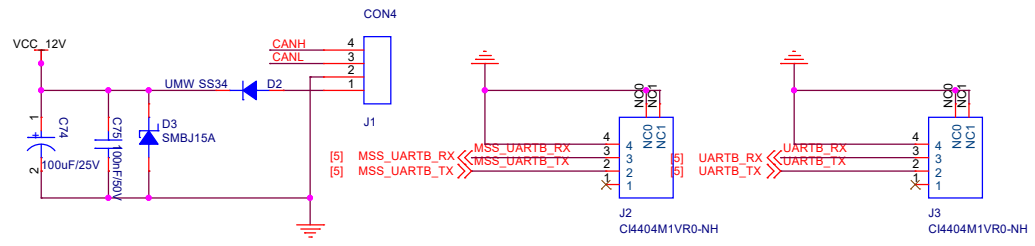
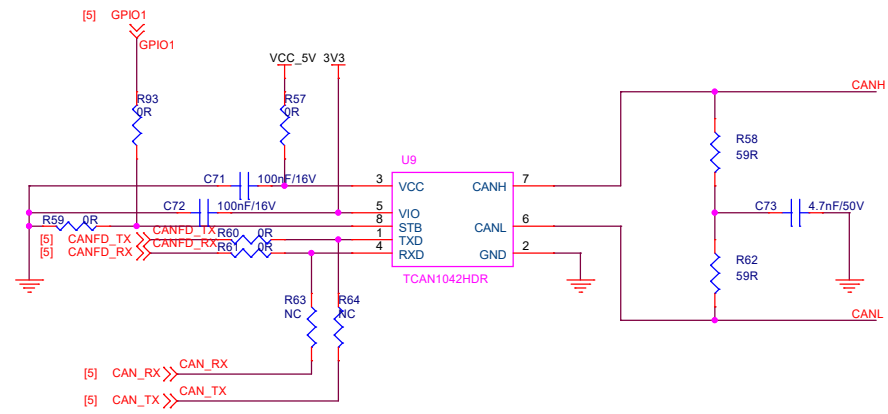
I2C Address: 0X49  
AWAY FROM PMIC



I2C Address: 0X48  
CLOSE TO PMIC



# Connectors & CAN



# LED Indicator&SOP

