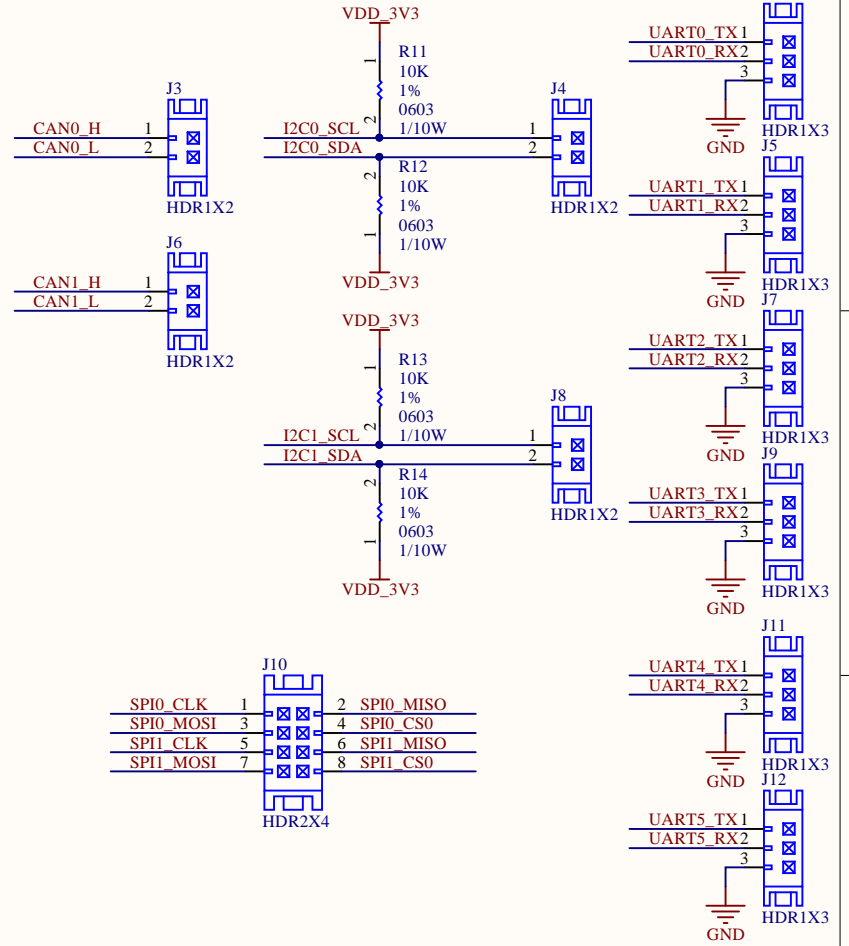
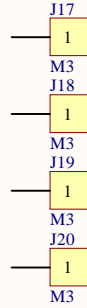
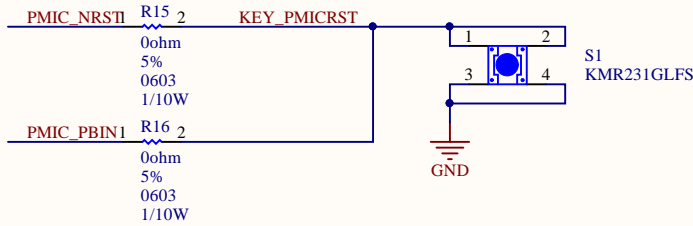
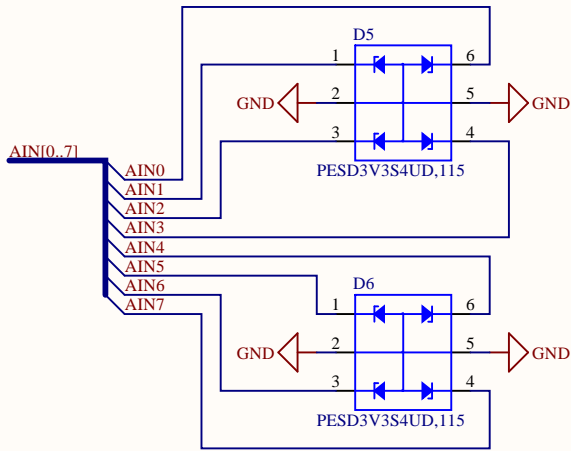
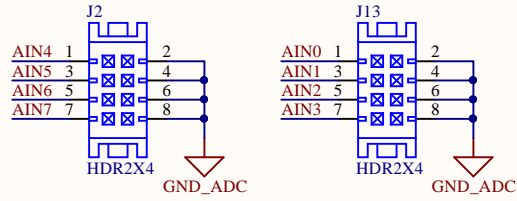
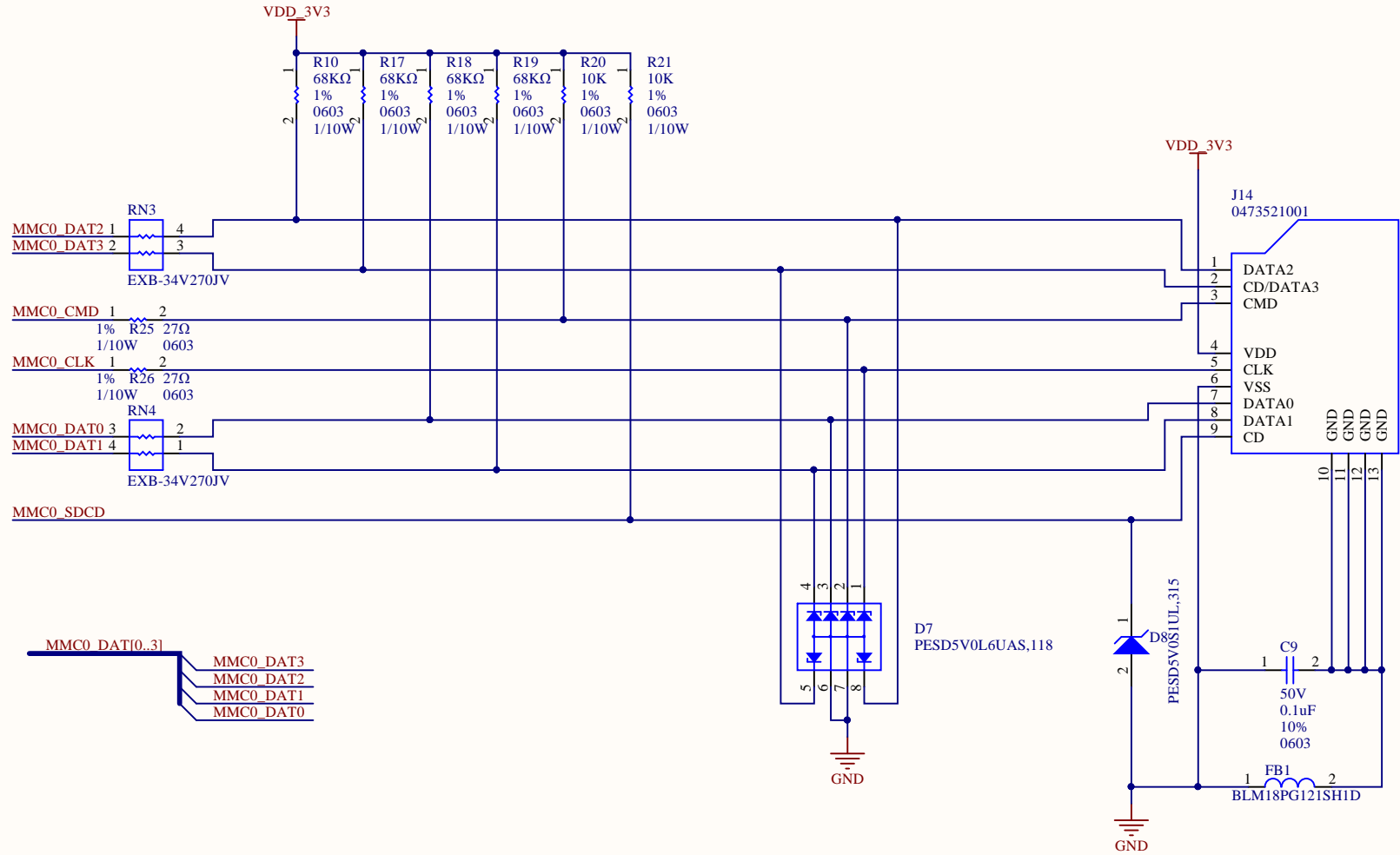


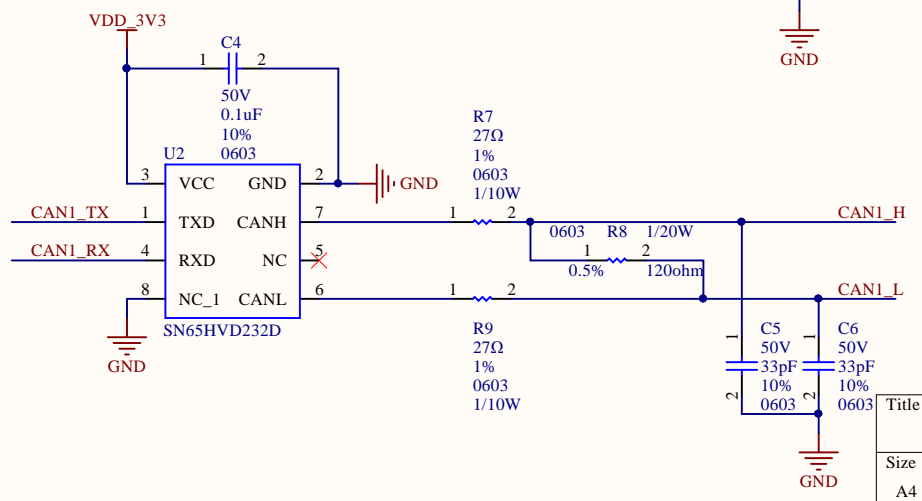
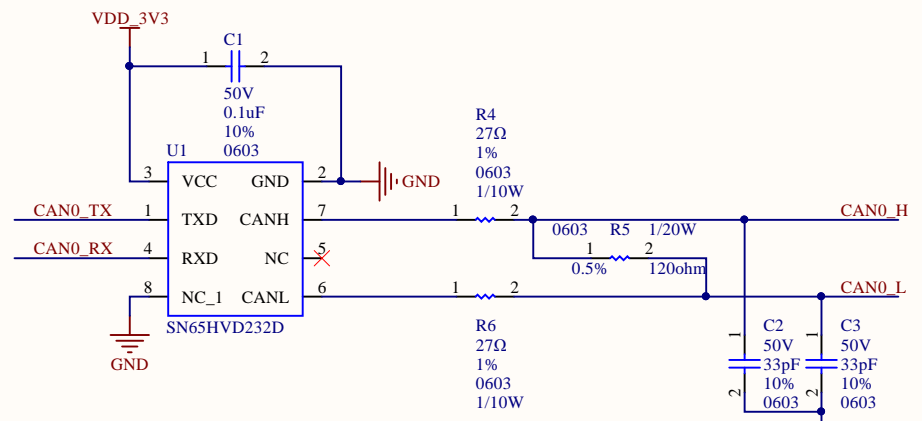
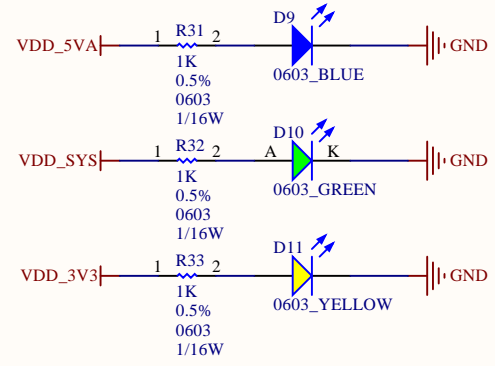
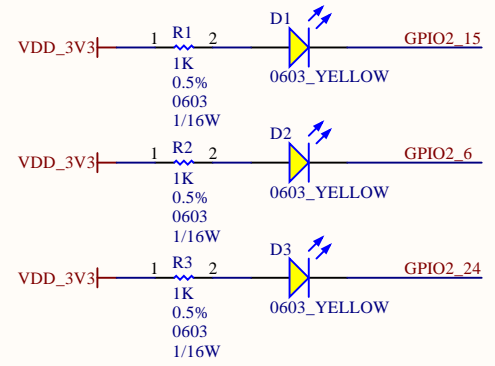
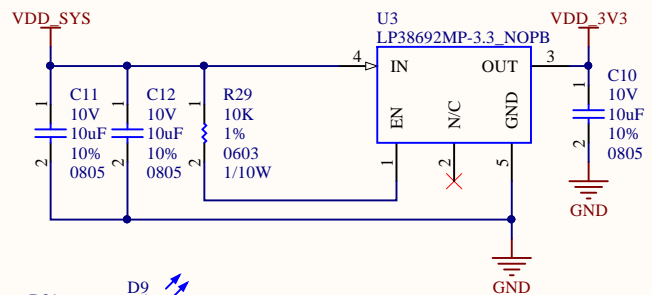
Title		
Size	Number	Revision
A2		
Date:	2019/8/12	Sheet
File:	C:\Users\...GM335-II_SchDoc	Drawn By:



Title		
Size	Number	Revision
A4		
Date:	2019/8/12	Sheet of
File:	C:\Users\...\INTERFACE.SchDoc	Drawn By:

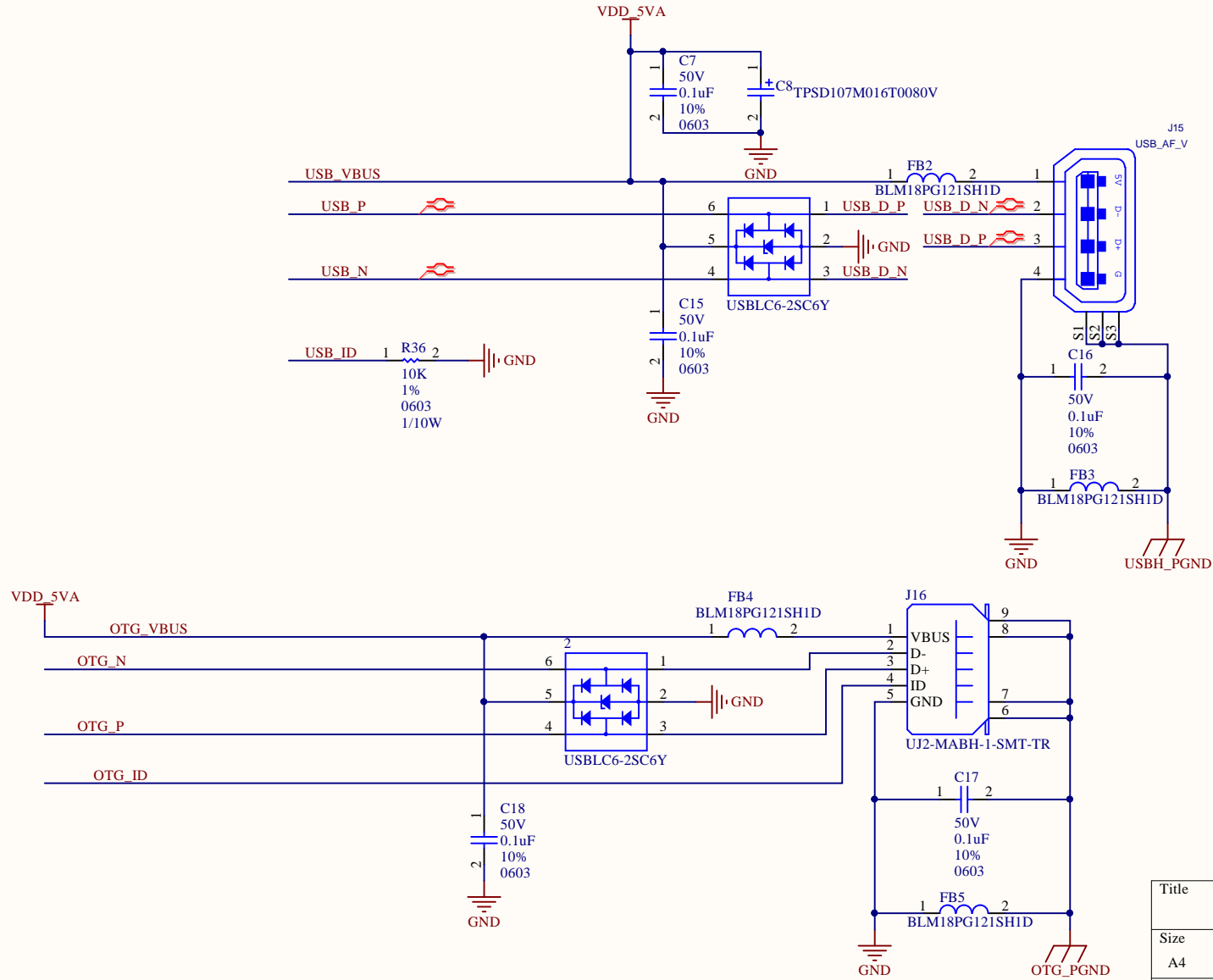


Title		
Size	Number	Revision
A4		
Date:	2019/8/12	Sheet of
File:	C:\Users\...\MICRO SD CARD.SchDoc	Drawn By:

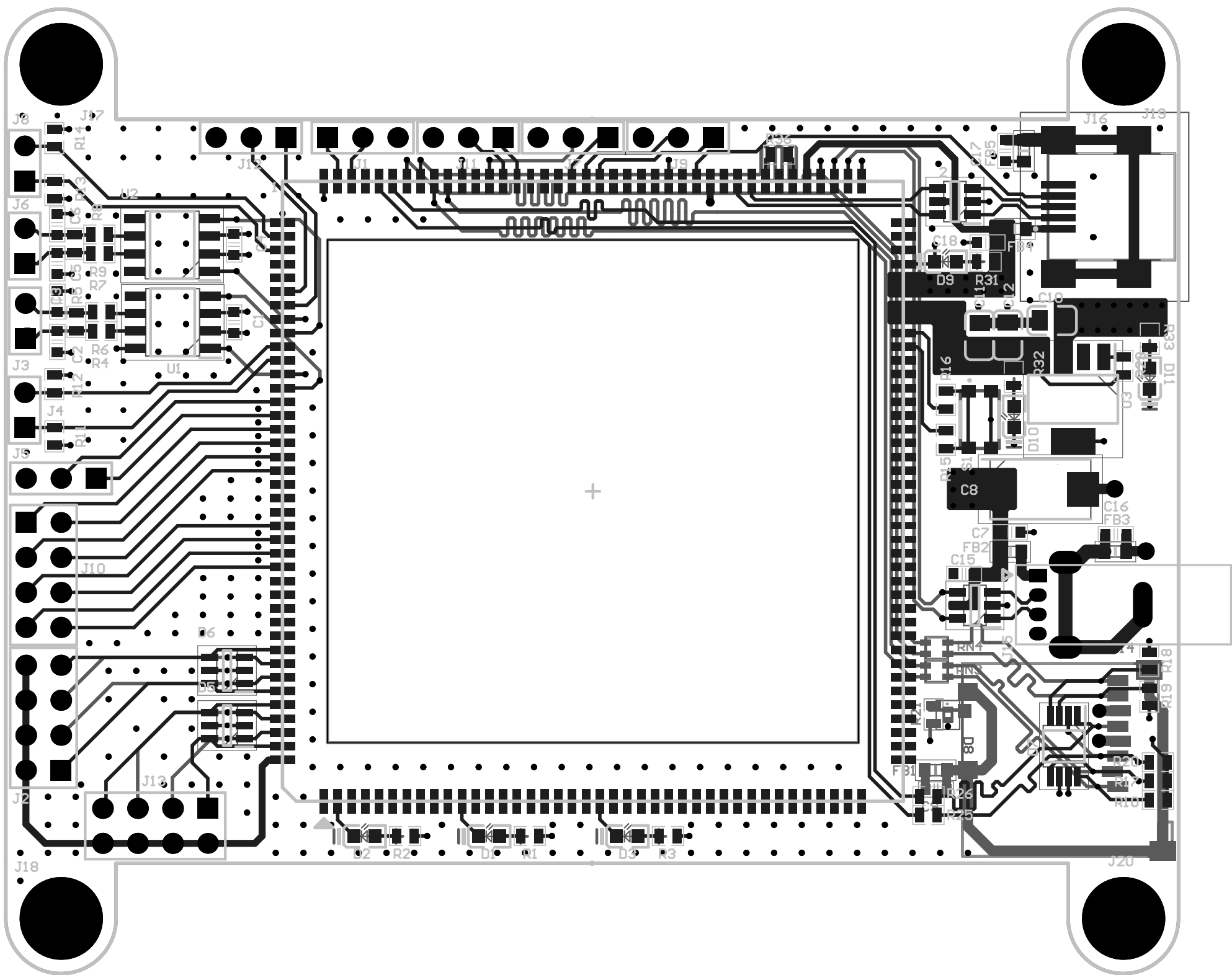


Title		
Size	Number	Revision
A4		
Date:	2019/8/12	Sheet of
File:	C:\Users\...\POWER SUPPLY.SchDoc	Drawn By:

USB作为HOST时，ID必须接地



Title		
Size	Number	Revision
A4		
Date:	2019/8/12	Sheet of
File:	C:\Users\...\USB HOST.SchDoc	Drawn By:



Comment	Description	Designator	Footprint	LibRef	Quantity
USBLC6-2SC6Y	Diode		SOT95P280X145-4	USBLC6-2SC6Y	1
CoM-335-II			1 OFP160	CoM-335-II	1
USBLC6-2SC6Y	Diode		2 SOT95P280X145-4	USBLC6-2SC6Y	1
0603 0.1uF 10% 5	MLCC - SMD/SM	C1	C0603	0603 0.1uF 10% 5	1
0603 33pF 5% 50	多层陶瓷电容器M	C2	C0603	0603 33pF 5% 50	1
0603 33pF 5% 50	多层陶瓷电容器M	C3	C0603	0603 33pF 5% 50	1
0603 0.1uF 10% 5	MLCC - SMD/SM	C4	C0603	0603 0.1uF 10% 5	1
0603 33pF 5% 50	多层陶瓷电容器M	C5	C0603	0603 33pF 5% 50	1
0603 33pF 5% 50	多层陶瓷电容器M	C6	C0603	0603 33pF 5% 50	1
0603 0.1uF 10% 5	MLCC - SMD/SM	C7	C0603	0603 0.1uF 10% 5	1
TPSD107M016100	Capacitor Polaris	C8	CAPP7344X310	TPSD107M016100	1
0603 0.1uF 10% 5	MLCC - SMD/SM	C9	C0603	0603 0.1uF 10% 5	1
0805 10uF 10% 10	多层陶瓷电容器M	C10	C0805	0805 10uF 10% 10	1
0805 10uF 10% 10	多层陶瓷电容器M	C11	C0805	0805 10uF 10% 10	1
0805 10uF 10% 10	多层陶瓷电容器M	C12	C0805	0805 10uF 10% 10	1
0603 0.1uF 10% 5	MLCC - SMD/SM	C15	C0603	0603 0.1uF 10% 5	1
0603 0.1uF 10% 5	MLCC - SMD/SM	C16	C0603	0603 0.1uF 10% 5	1
0603 0.1uF 10% 5	MLCC - SMD/SM	C17	C0603	0603 0.1uF 10% 5	1
0603 0.1uF 10% 5	MLCC - SMD/SM	C18	C0603	0603 0.1uF 10% 5	1
0603 YELLOW	标准LED-SMD SM	D1	LC-0603 LED S1	0603 YELLOW	1
0603 YELLOW	标准LED-SMD SM	D2	LC-0603 LED S1	0603 YELLOW	1
0603 YELLOW	标准LED-SMD SM	D3	LC-0603 LED S1	0603 YELLOW	1
PESD3V3S4UD.115	TVS Diode (Uni-di)	D5	SOT95P275X110-4	PESD3V3S4UD.115	1
PESD3V3S4UD.115	TVS Diode (Uni-di)	D6	SOT95P275X110-4	PESD3V3S4UD.115	1
PESD5V0L6UAS.115	Diode	D7	SOP65P490X110-4	PESD5V0L6UAS.115	1
PESD5V0S1UL.315	TVS Diode (Uni-di)	D8	PESD5V0S1BL315	PESD5V0S1UL.315	1
0603 BLUE	标准LED-SMD SM	D9	LC-0603 LED S1	0603 BLUE	1
0603 GREEN	标准LED-SMD SM	D10	LC-0603 LED S1	0603 GREEN	1
0603 YELLOW	标准LED-SMD SM	D11	LC-0603 LED S1	0603 YELLOW	1
BLM18PG121SH11	Ferrite Bead	FB1	B0603	BLM18PG121SH11	1
BLM18PG121SH11	Ferrite Bead	FB2	B0603	BLM18PG121SH11	1
BLM18PG121SH11	Ferrite Bead	FB3	B0603	BLM18PG121SH11	1
BLM18PG121SH11	Ferrite Bead	FB4	B0603	BLM18PG121SH11	1
BLM18PG121SH11	Ferrite Bead	FB5	B0603	BLM18PG121SH11	1
HDR1X3	Connector	J1	DIP 1X3	HDR1X3	1
HDR2X4	Connector	J2	DIP 2X4	HDR2X4	1
HDR1X2	Connector	J3	DIP 1X2	HDR1X2	1
HDR1X2	Connector	J4	DIP 1X2	HDR1X2	1
HDR1X3	Connector	J5	DIP 1X3	HDR1X3	1
HDR1X2	Connector	J6	DIP 1X2	HDR1X2	1
HDR1X3	Connector	J7	DIP 1X3	HDR1X3	1
HDR1X2	Connector	J8	DIP 1X2	HDR1X2	1
HDR1X3	Connector	J9	DIP 1X3	HDR1X3	1
HDR2X4	Connector	J10	DIP 2X4	HDR2X4	1
HDR1X3	Connector	J11	DIP 1X3	HDR1X3	1
HDR1X3	Connector	J12	DIP 1X3	HDR1X3	1
HDR2X4	Connector	J13	DIP 2X4	HDR2X4	1
473521001	Connector	J14	47352-1001	473521001	1
USB AF V	USB A RECEPTAC	J15	USB AF V DIP	USB AF V	1
UJ2-MABH-1-SM	Connector	J16	UJ2MABH1SMTR	UJ2-MABH-1-SM	1
M3	Connector	J17	M3 PAD	M3	1
M3	Connector	J18	M3 PAD	M3	1
M3	Connector	J19	M3 PAD	M3	1
M3	Connector	J20	M3 PAD	M3	1
0603 1K 0.5% 1/10	薄膜电阻器 - SMT	R1	RO603	0603 1K 0.5% 1/10	1
0603 1K 0.5% 1/10	薄膜电阻器 - SMT	R2	RO603	0603 1K 0.5% 1/10	1
0603 1K 0.5% 1/10	薄膜电阻器 - SMT	R3	RO603	0603 1K 0.5% 1/10	1
0603 27Q 1% 1/10	厚膜电阻器 - SMT	R4	RO603	0603 27Q 1% 1/10	1
0603 120Q 0.5%	薄膜电阻器 - SMT	R5	RO603	0603 120Q 0.5%	1
0603 27Q 1% 1/10	厚膜电阻器 - SMT	R6	RO603	0603 27Q 1% 1/10	1
0603 27Q 1% 1/10	厚膜电阻器 - SMT	R7	RO603	0603 27Q 1% 1/10	1
0603 120Q 0.5%	薄膜电阻器 - SMT	R8	RO603	0603 120Q 0.5%	1
0603 27Q 1% 1/10	厚膜电阻器 - SMT	R9	RO603	0603 27Q 1% 1/10	1
0603 68KQ 1% 1/10	厚膜电阻器 - SMT	R10	RO603	0603 68KQ 1% 1/10	1
0603 10K 1% 1/10	厚膜电阻器 - SMT	R11	RO603	0603 10K 1% 1/10	1
0603 10K 1% 1/10	厚膜电阻器 - SMT	R12	RO603	0603 10K 1% 1/10	1
0603 10K 1% 1/10	厚膜电阻器 - SMT	R13	RO603	0603 10K 1% 1/10	1
0603 10K 1% 1/10	厚膜电阻器 - SMT	R14	RO603	0603 10K 1% 1/10	1
0603 0Q 5% 1/10	厚膜电阻器 - SMT	R15	RO603	0603 0Q 5% 1/10	1
0603 0Q 5% 1/10	厚膜电阻器 - SMT	R16	RO603	0603 0Q 5% 1/10	1
0603 68KQ 1% 1/10	厚膜电阻器 - SMT	R17	RO603	0603 68KQ 1% 1/10	1
0603 68KQ 1% 1/10	厚膜电阻器 - SMT	R18	RO603	0603 68KQ 1% 1/10	1
0603 68KQ 1% 1/10	厚膜电阻器 - SMT	R19	RO603	0603 68KQ 1% 1/10	1
0603 10K 1% 1/10	厚膜电阻器 - SMT	R20	RO603	0603 10K 1% 1/10	1
0603 10K 1% 1/10	厚膜电阻器 - SMT	R21	RO603	0603 10K 1% 1/10	1
0603 27Q 1% 1/10	厚膜电阻器 - SMT	R25	RO603	0603 27Q 1% 1/10	1
0603 27Q 1% 1/10	厚膜电阻器 - SMT	R26	RO603	0603 27Q 1% 1/10	1
0603 10K 1% 1/10	厚膜电阻器 - SMT	R29	RO603	0603 10K 1% 1/10	1
0603 1K 0.5% 1/10	薄膜电阻器 - SMT	R31	RO603	0603 1K 0.5% 1/10	1
0603 1K 0.5% 1/10	薄膜电阻器 - SMT	R32	RO603	0603 1K 0.5% 1/10	1
0603 1K 0.5% 1/10	薄膜电阻器 - SMT	R33	RO603	0603 1K 0.5% 1/10	1
0603 10K 1% 1/10	厚膜电阻器 - SMT	R36	RO603	0603 10K 1% 1/10	1
EXB-34V270JV	Resistor Network	RN3	EXB34V	EXB-34V270JV	1
EXB-34V270JV	Resistor Network	RN4	EXB34V	EXB-34V270JV	1
KMR231GLFS	Switch	S1	KMR2_1	KMR231GLFS	1
SN65HVD232D	Integrated Circuit	U1	SOIC12P600X174	SN65HVD232D	1
SN65HVD232D	Integrated Circuit	U2	SOIC12P600X174	SN65HVD232D	1
LP38692MP-3.3 N	Integrated Circuit	U3	SOT150P700X180	LP38692MP-3.3 N	1