

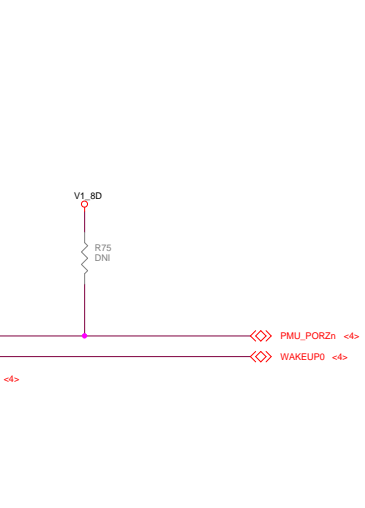
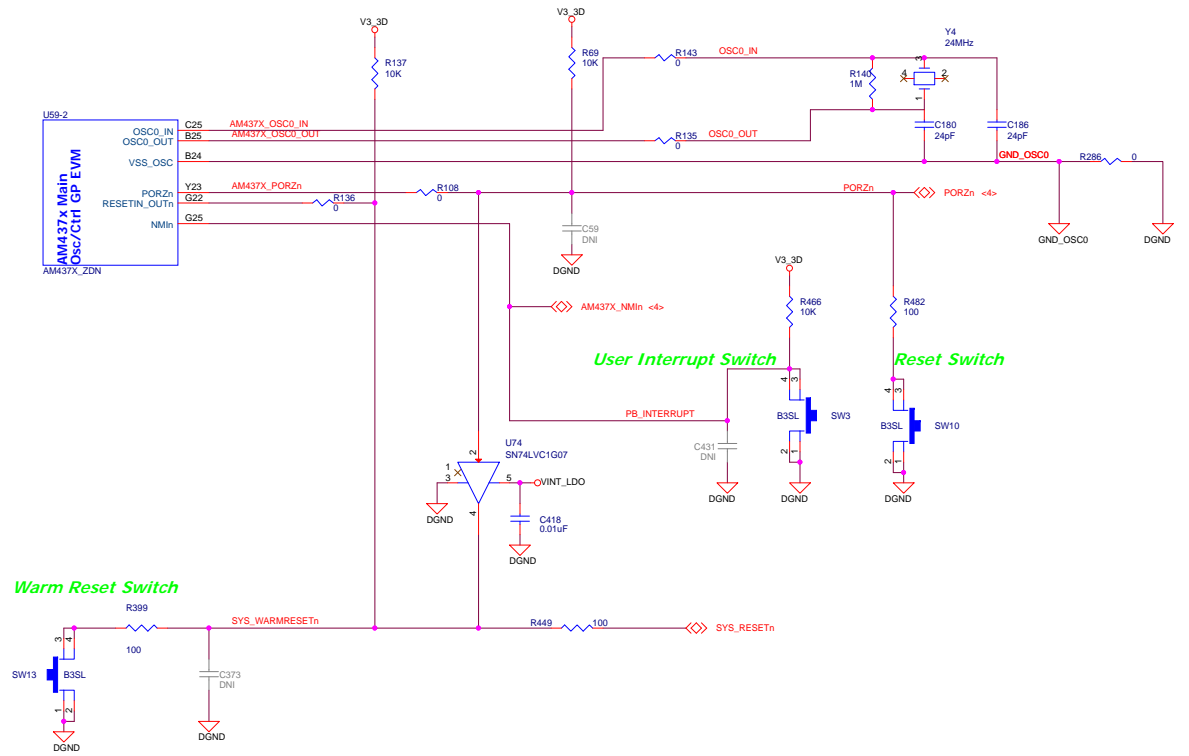
# ARM MPU AM437X General Purpose EVM

- See the Hardware User Guide for board details
- See the Errata document for the board for details
- See the PCB Build Specification for PCB Details

M3 Screw4-40_5/8in	M7 Screw4-40_1/4in	M11 Standoff4-40_round_5/8inlong	M15 Rubber Feet
M4 Screw4-40_5/8in	M8 Screw4-40_1/4in	M12 Standoff4-40_round_5/8inlong	M16 Rubber Feet
M5 Screw4-40_5/8in	M9 Screw4-40_1/4in	M13 Standoff4-40_round_5/8inlong	M17 Rubber Feet
M6 Screw4-40_5/8in	M10 Screw4-40_1/4in	M14 Standoff4-40_round_5/8inlong	M18 Rubber Feet

PCB1  
AM437x GP EVM Bare PCB

<b>ARM MPU</b>	<b>Texas Instruments, Inc.</b>			
	ARM MPU Business Unit 12500 TI Blvd Dallas, TX 75243			
	<b>Final</b>			
	<b>AM437x General Purpose EVM</b>			
Title Page				
Size	Document Number	Modified By:	Rev	
C	am437x_gp_evm_3k0006_rev1_4a.dsn	Damon Domka	1.4A	
Date: Tuesday, October 07, 2014		Sheet: 1 of 27		



defaultbuild

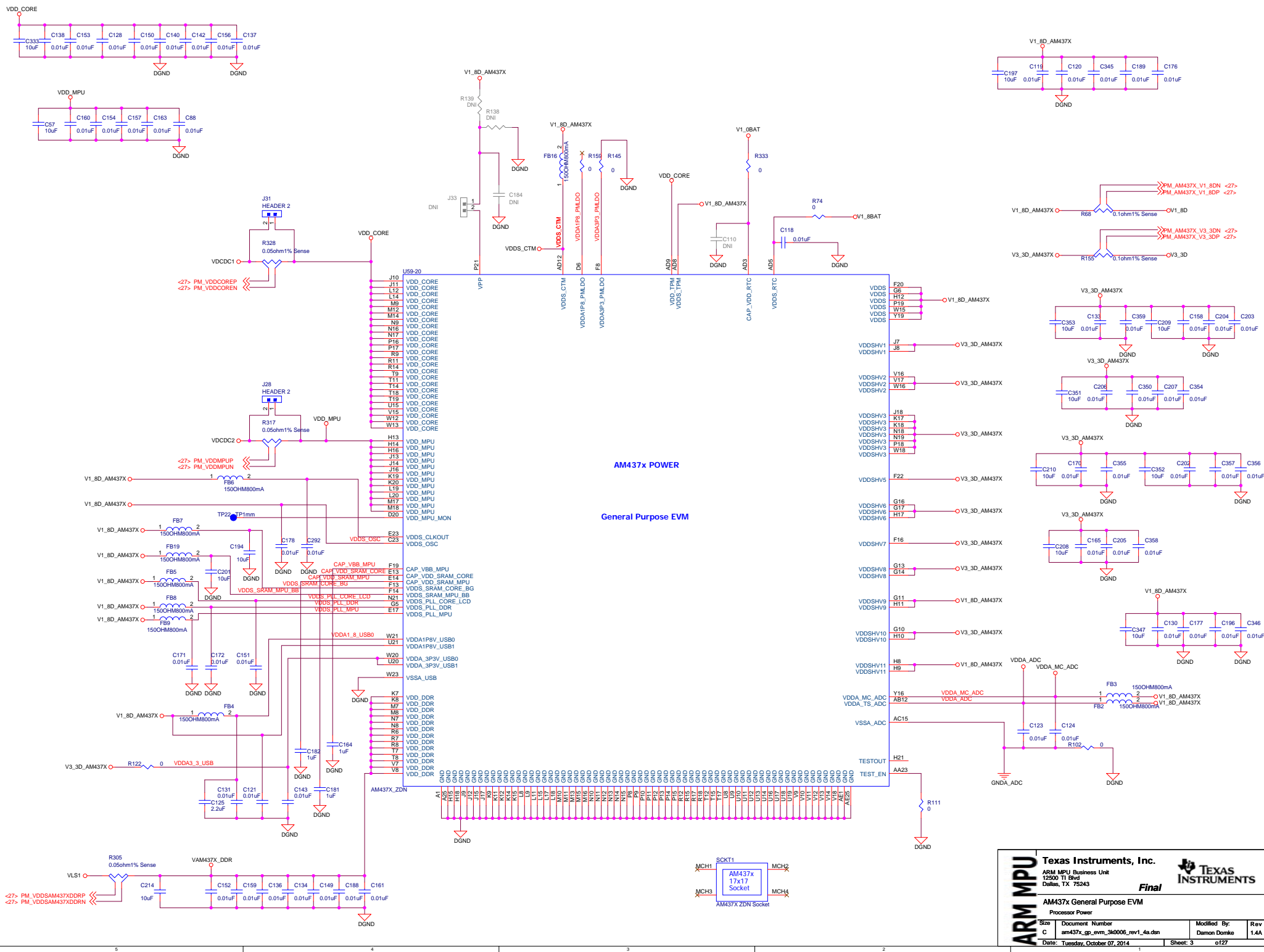
**ARM MPU** **Texas Instruments, Inc.**

ARM MPU Business Unit  
12500 TI Blvd  
Dallas, TX 75243

**Final**

**AM437x General Purpose EVM**  
AM437x System/RTC

Size	Document Number	Modified By:	Rev
C	am437x_gp_evm_3k0006_rev1_4a.dsn	Damon Domke	1.4A
Date:	Tuesday, October 07, 2014	Sheet:	2 of 27



**AM437x POWER**  
**General Purpose EVM**

**Texas Instruments, Inc.**  
ARM MPU Business Unit  
12500 TI Blvd  
Dallas, TX 75243

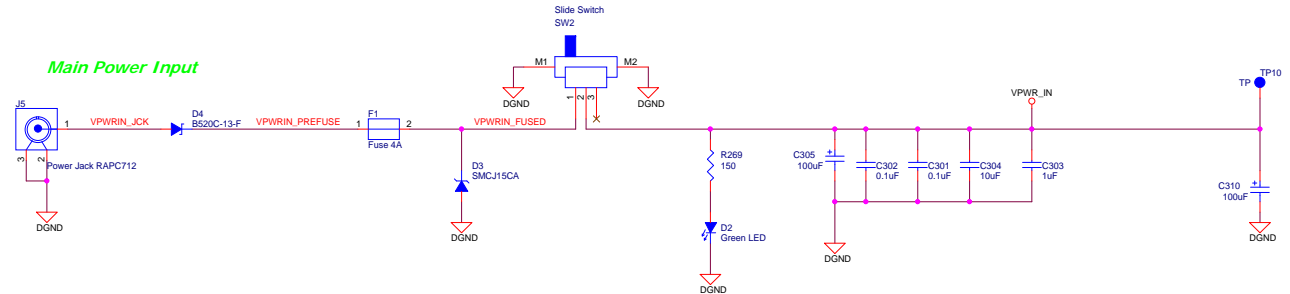
**ARM MPU**

**AM437x General Purpose EVM**  
Processor Power

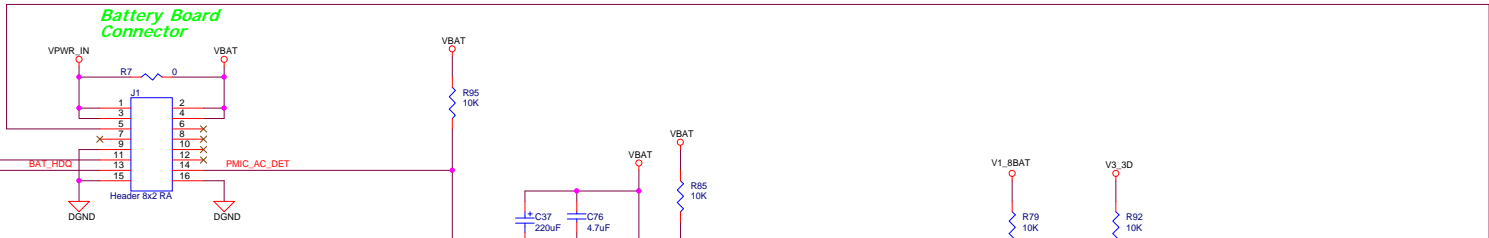
Size	Document Number	Modified By:	Rev
C	am437x_gp_evm_3k0006_rev1_4a.dsn	Damon Domke	1.4A

Date: Tuesday, October 07, 2014  
Sheet: 3 of 27

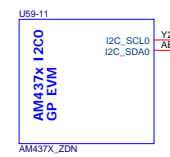
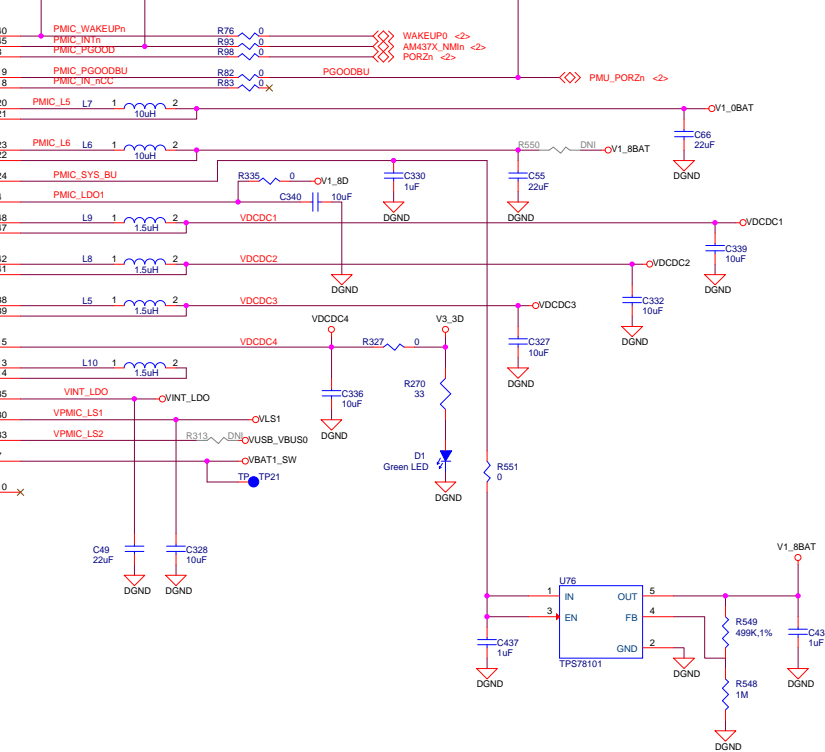
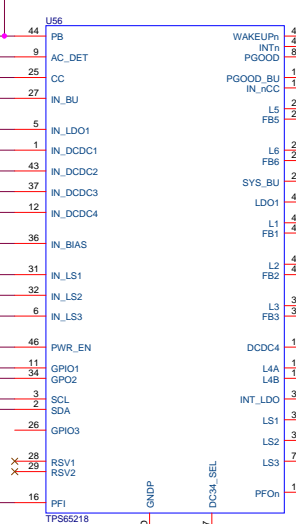
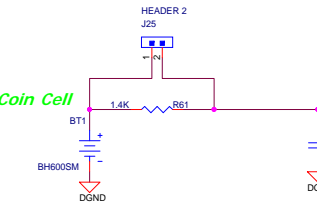
**Main Power Input**



**Battery Board Connector**

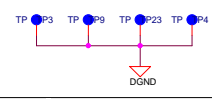
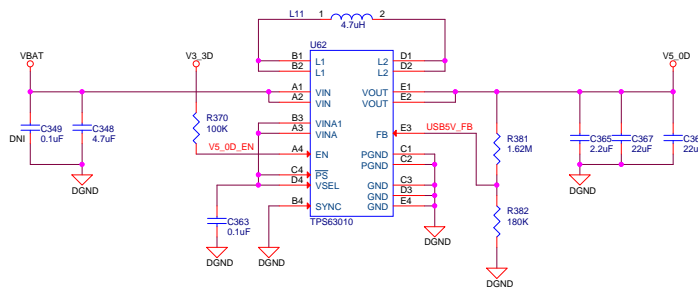


**Coin Cell**

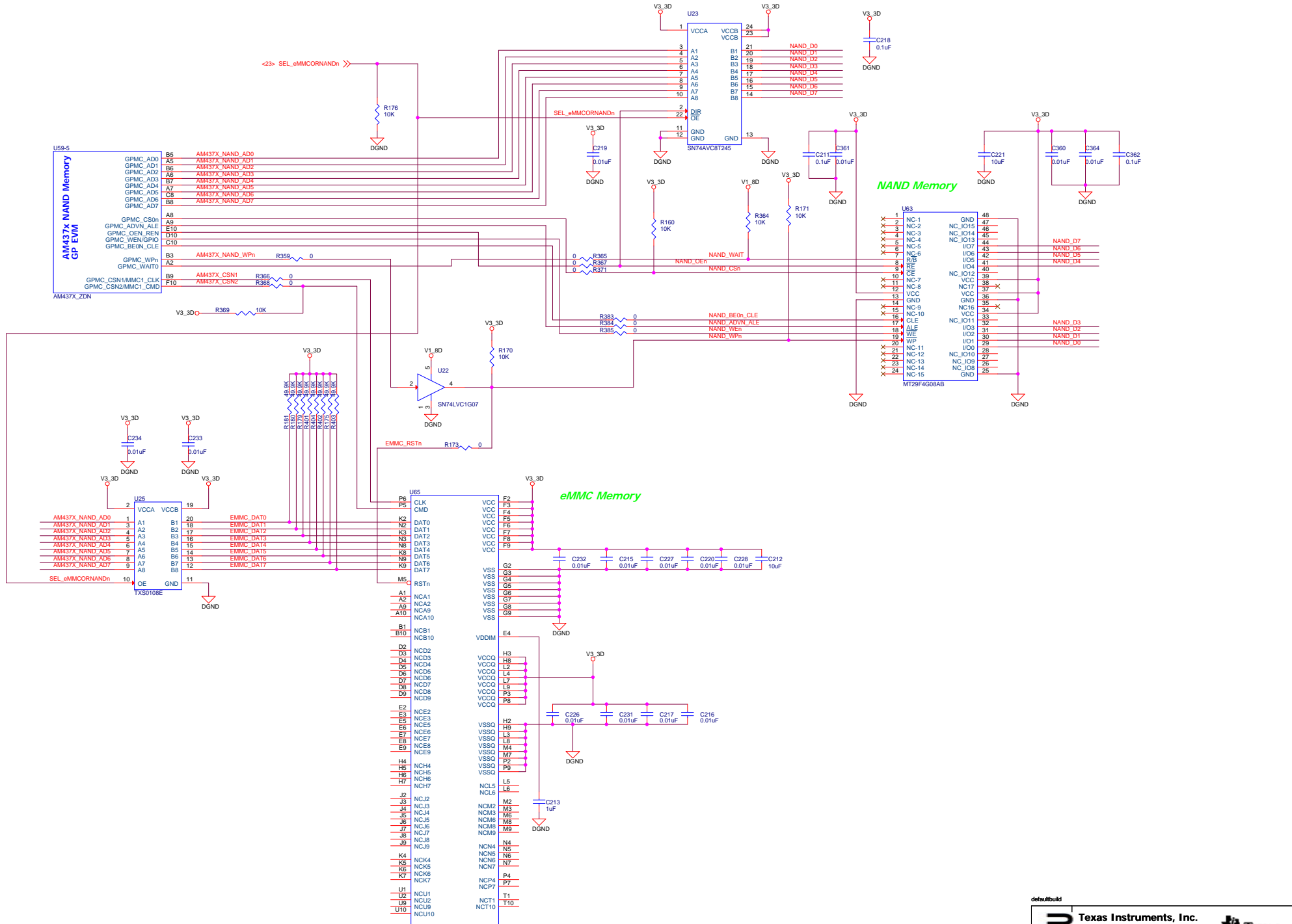


<12,13,15,23> GP\_I2C\_SCL  
<12,13,15,23> GP\_I2C\_SDA

<11,25> I2CO\_SCL  
<14,25> I2CO\_SDA



<b>ARM MPU</b>	<b>Texas Instruments, Inc.</b>			
	ARM MPU Business Unit 12500 TI Blvd Dallas, TX 75243			
	<b>Final</b>			
	<b>AM437x General Purpose EVM</b>			
<b>Power</b>				
Size	Document Number	Modified By:	Rev	
C	am437x_gp_evm_3k0006_rev1_4a.dsn	Damon Domke	1.4A	
Date: Tuesday, October 07, 2014		Sheet: 4 of 27		



defaultbuild

**ARM MPU** **Texas Instruments, Inc.** **TEXAS INSTRUMENTS**

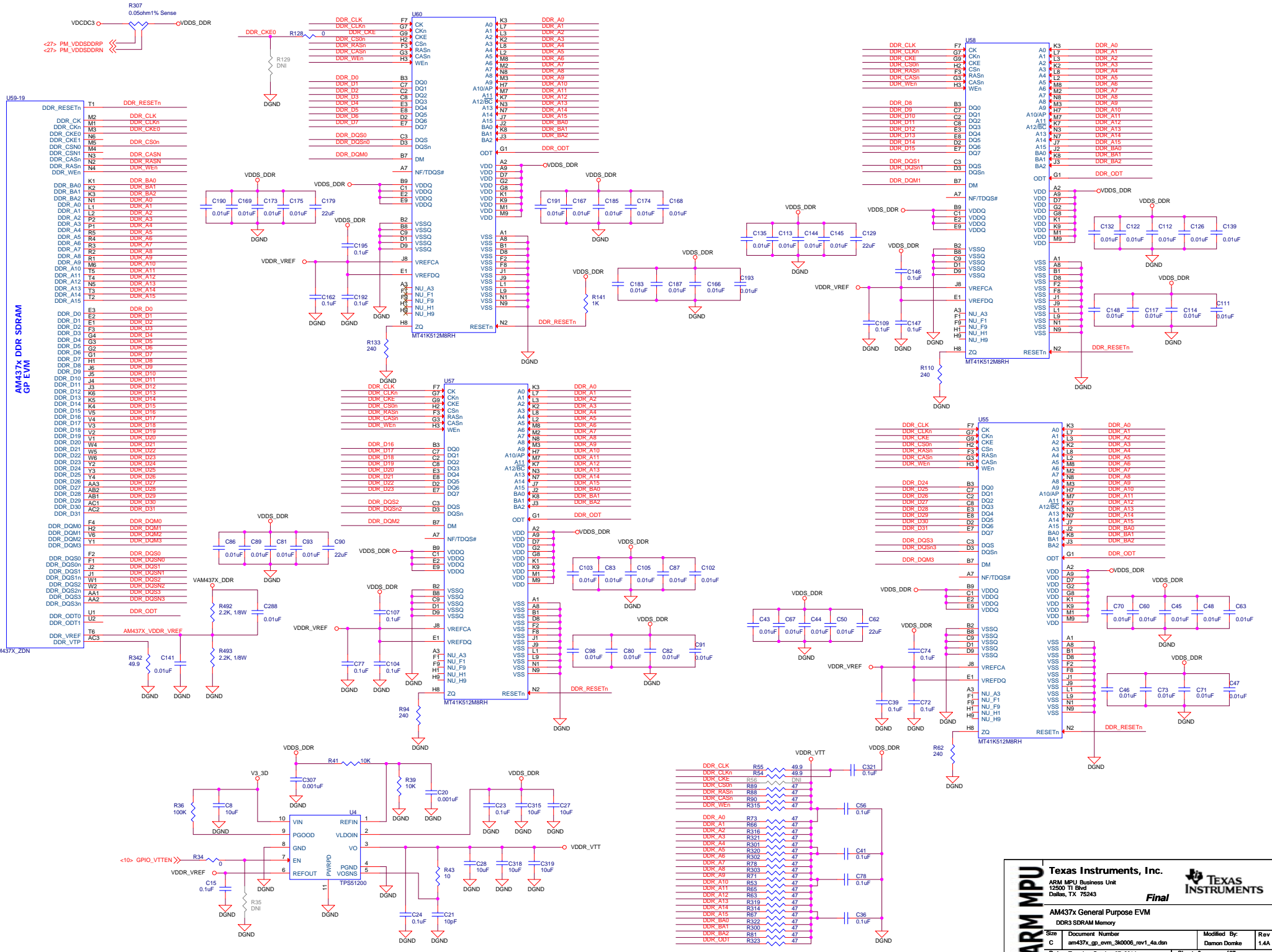
ARM MPU Business Unit  
 12500 TI Blvd  
 Dallas, TX 75243

**Final**

**AM437x General Purpose EVM**  
 NAND Flash Memory and eMMC

Size	Document Number	Modified By:	Rev
C	am437x_gp_evm_360006_rev1_4a.dsn	Damon Domke	1.4A

Date: Tuesday, October 07, 2014 Sheet: 5 of 127



AM437x DDR SDRAM CP EVM

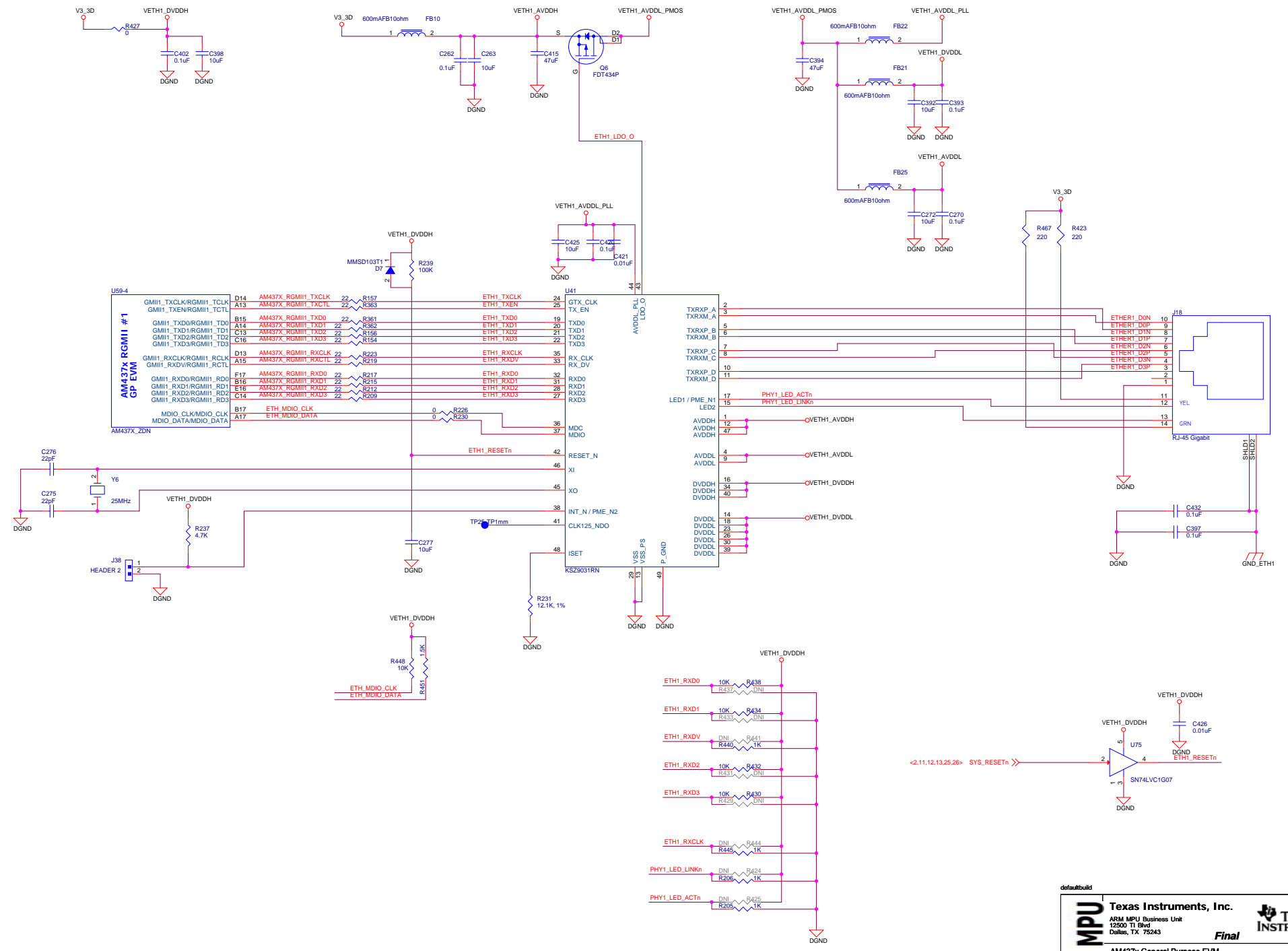
**ARM MPU**

**Texas Instruments, Inc.**  
 ARM MPU Business Unit  
 12500 TI Blvd  
 Dallas, TX 75243

**Final**

**AM437x General Purpose EVM**  
 DDR3 SDRAM Memory

Size	Document Number	Modified By:	Rev
C	am437x_gp_evm_360006_rev1_4a.dsn	Damon Donke	1.4A
Date:	Tuesday, October 07, 2014		Sheet: 6 of 27



defaultbuild

**ARM MPU** **Texas Instruments, Inc.**

ARM MPU Business Unit  
 12500 TI Blvd  
 Dallas, TX 75243

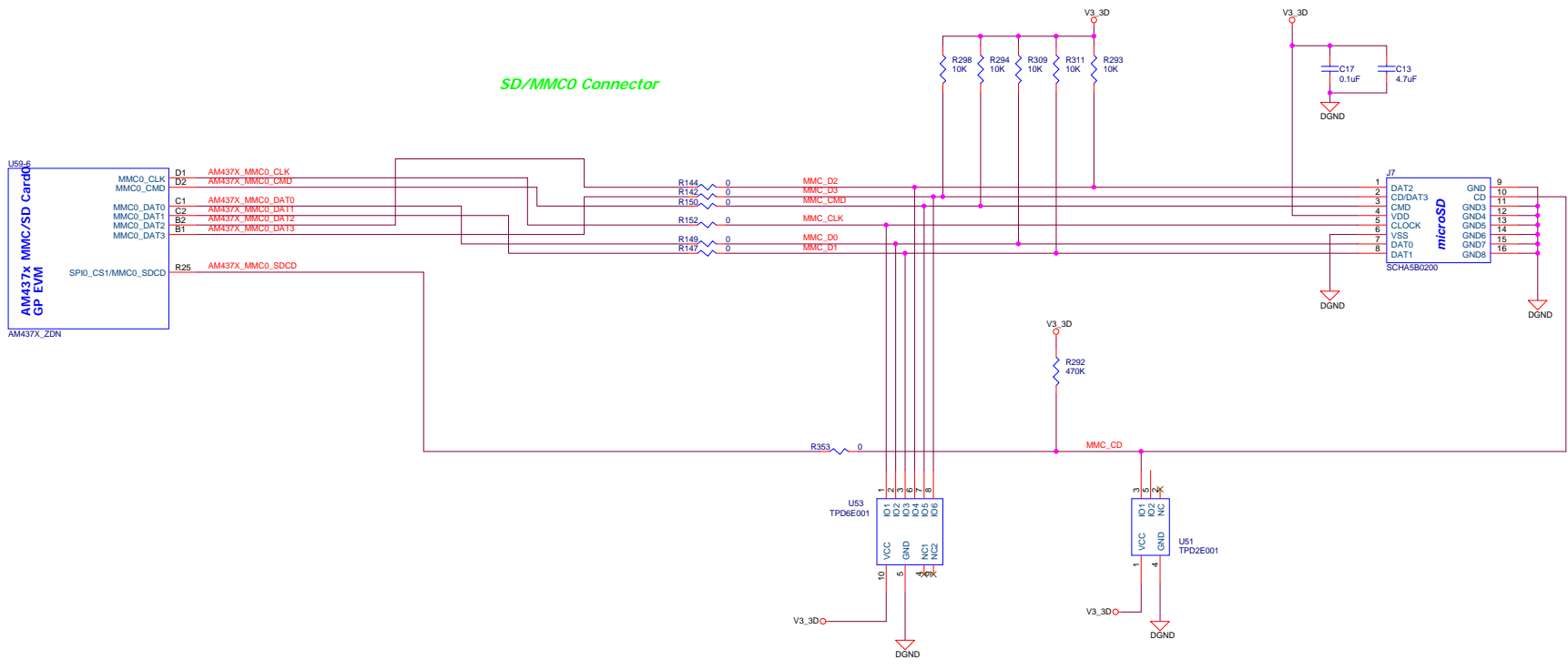
**TEXAS INSTRUMENTS**

**Final**


**AM437x General Purpose EVM**  
 Gigabit Ethernet #1

Size	Document Number	Modified By:	Rev
C	am437x_gp_evm_3k0006_rev1_4a.dsn	Damon Domke	1.4A

Date: Tuesday, October 07, 2014 Sheet: 7 of 27



defaultbuild

**ARM MPU** **Texas Instruments, Inc.** 

ARM MPU Business Unit  
12500 TI Blvd  
Dallas, TX 75243

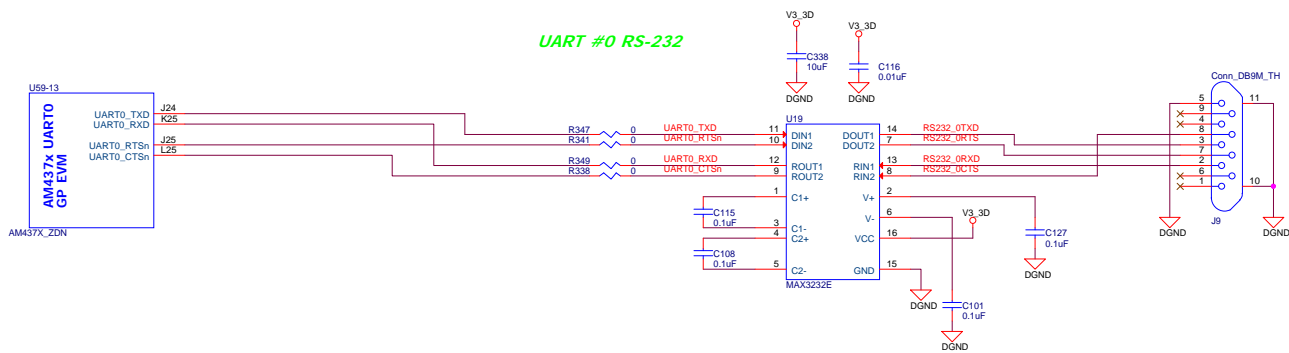
**Final**

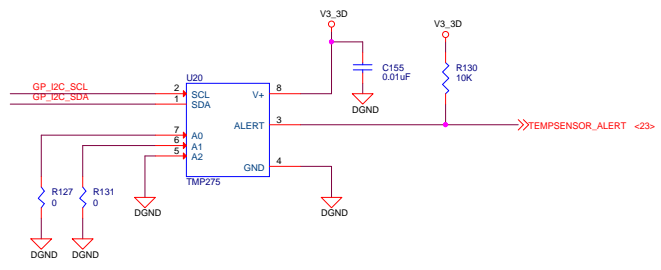
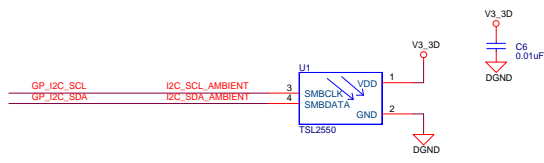
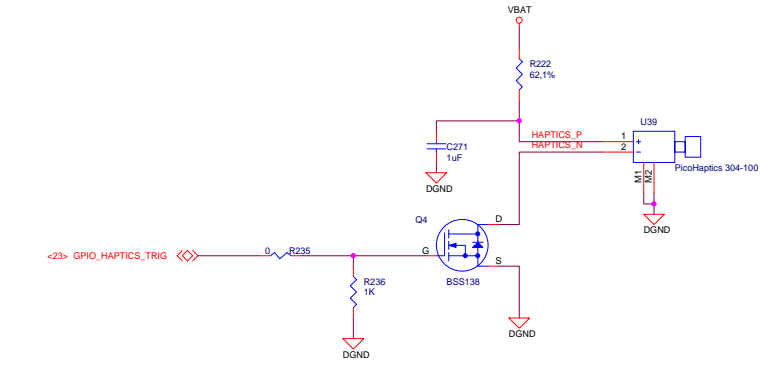
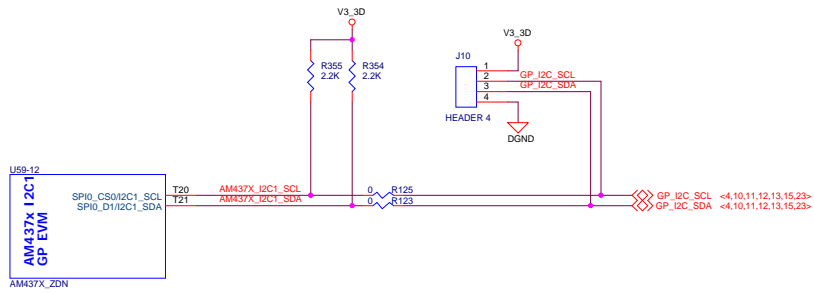
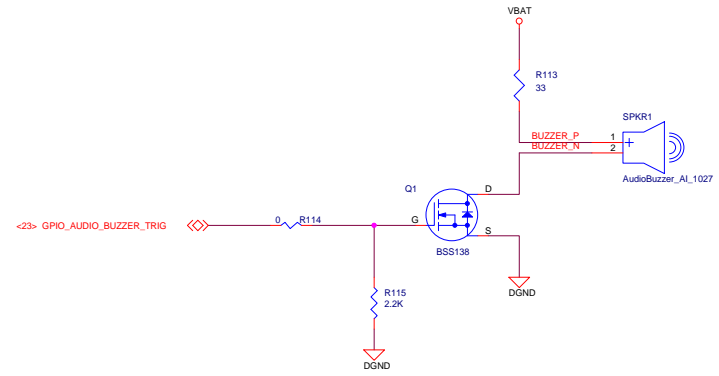
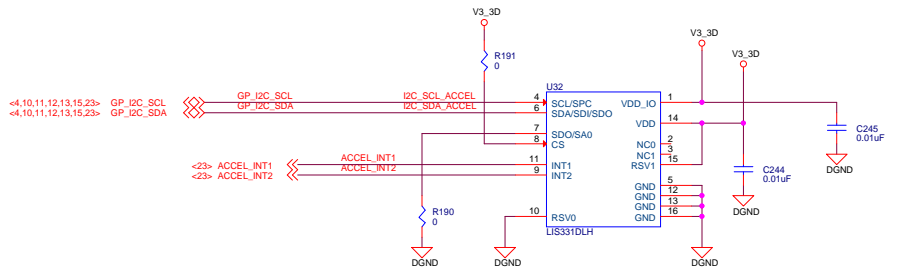
**AM437x General Purpose EVM**  
SDMMC #0 Interface

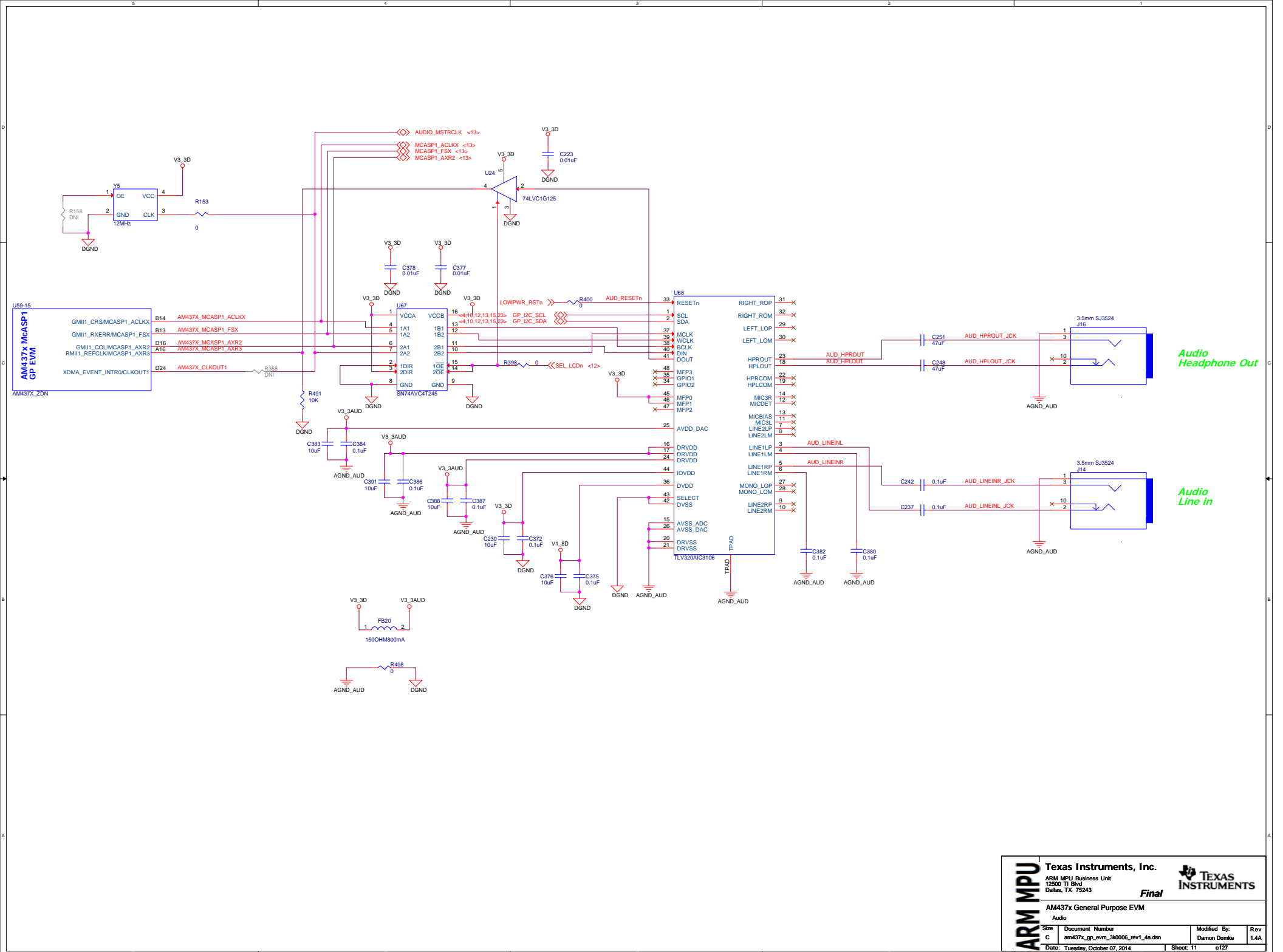
Size	Document Number	Modified By:	Rev
C	am437x_gp_evm_3k0006_rev1_4a.dsn	Damon Domke	1.4A

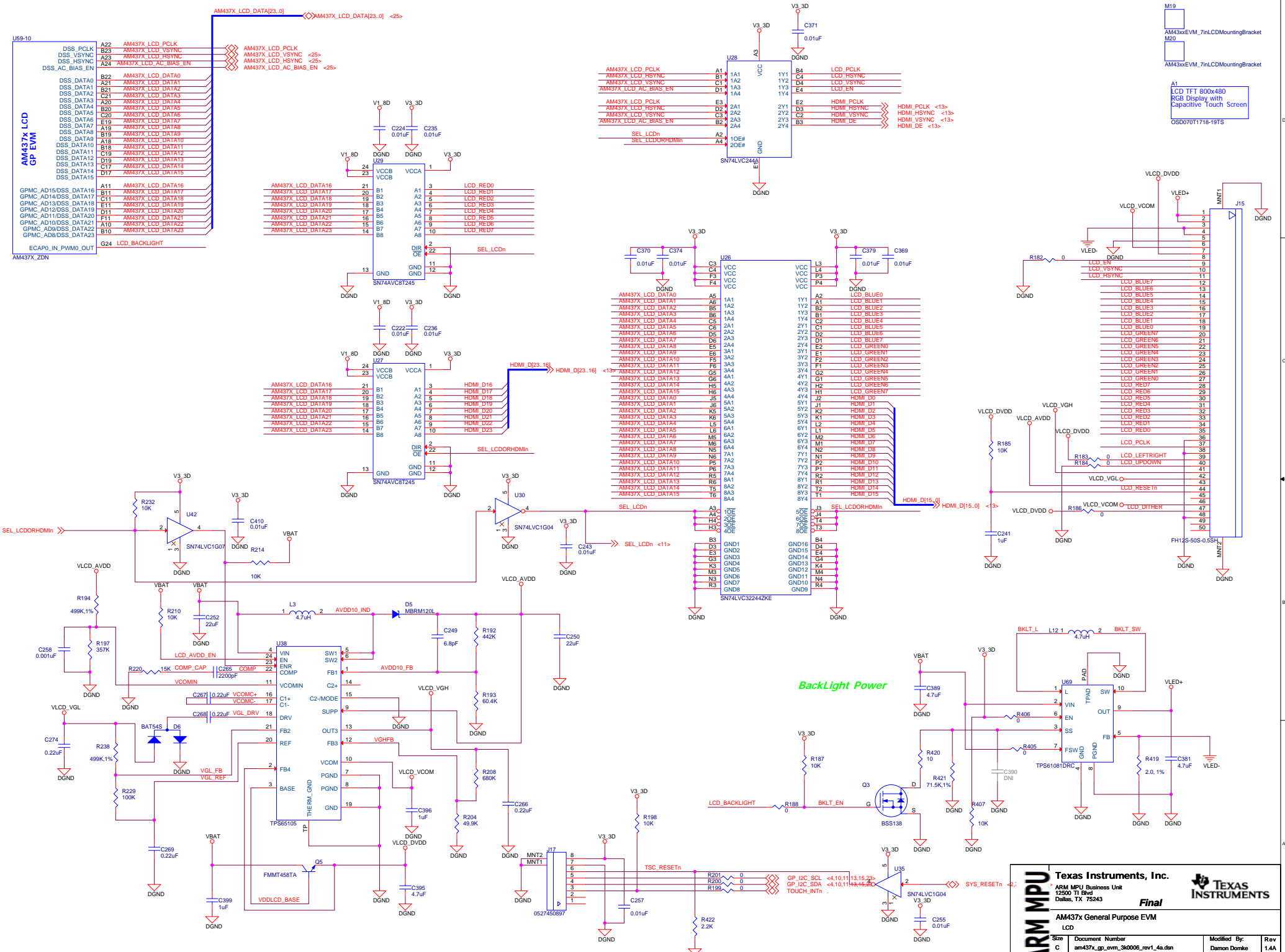
Date: Tuesday, October 07, 2014 Sheet: 8 of 127











**ARM MPU**

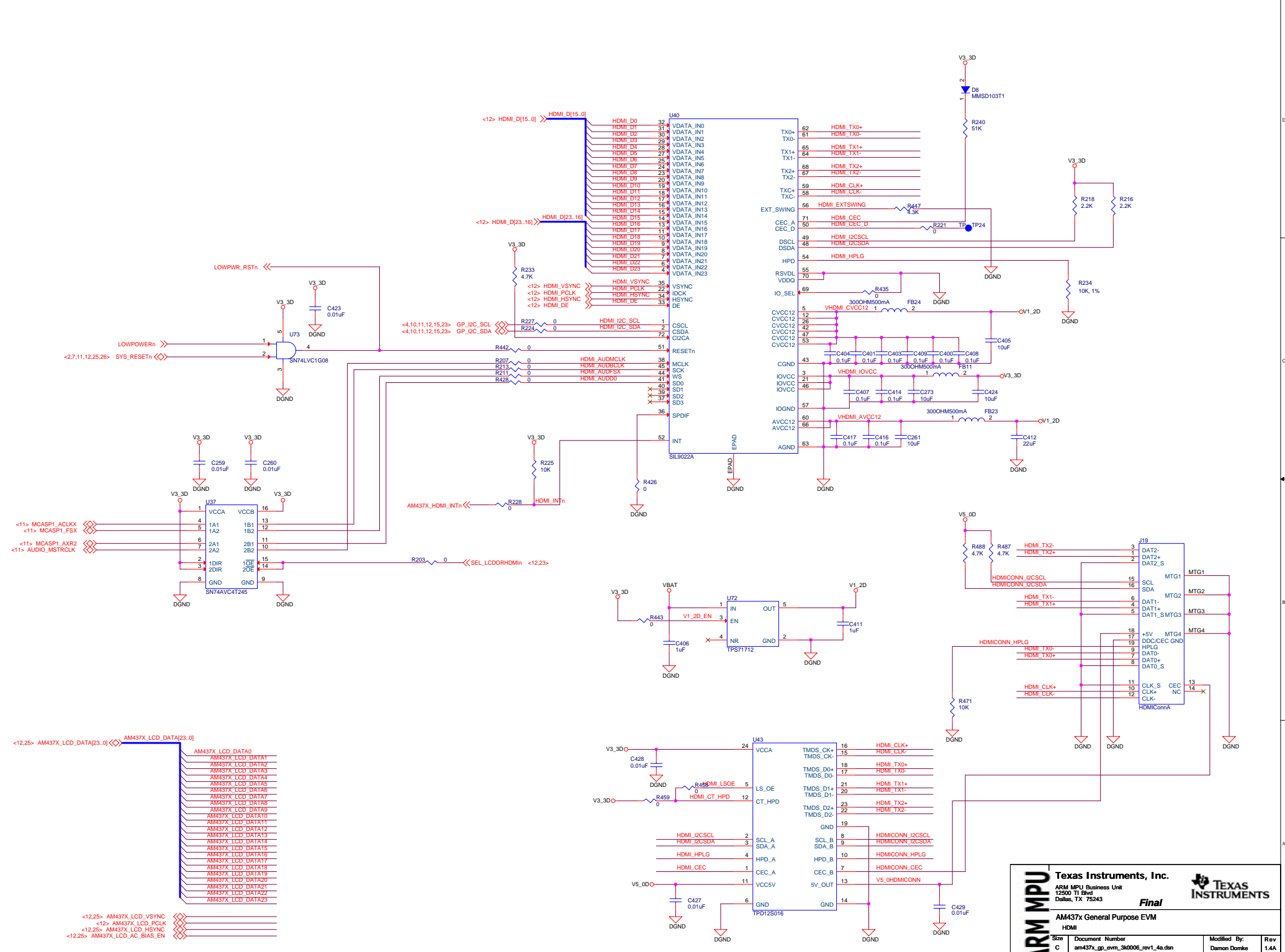
**Texas Instruments, Inc.**  
 ARM MPU Business Unit  
 12500 TI Blvd  
 Dallas, TX 75243

**Final**

**AM437x General Purpose EVM**  
 LCD

Size	Document Number	Modified By:	Rev
C	am437x_gp_evm_3k0006_rev1_4a.dsn	Damon Domke	1.4A

Date: Tuesday, October 07, 2014  
 Sheet: 12 of 127



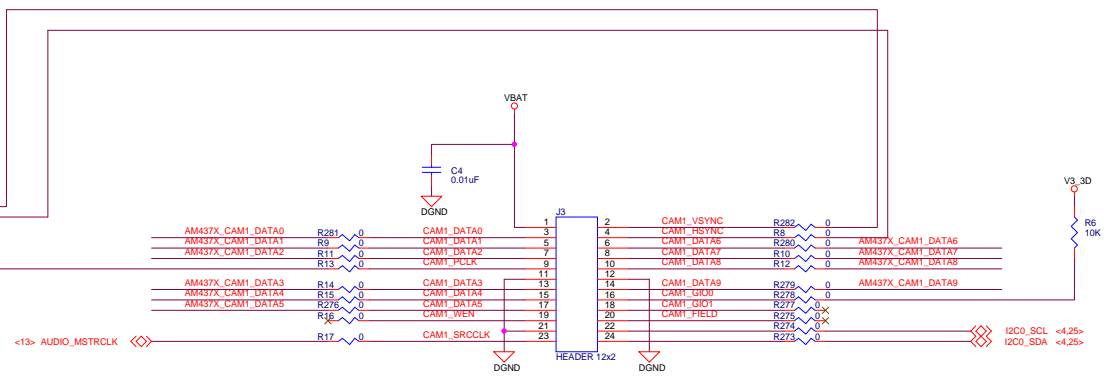
<b>ARM MPU</b>	<b>Texas Instruments, Inc.</b>		
	ARM MPU Business Unit 12500 TI Blvd Dallas, TX 75243		
	<b>Final</b>		
	<b>AM437x General Purpose EVM</b>		
<b>HDMI</b>			
Size	Document Number	Modified By:	Rev
C	am437x_gp_evm_3k0006_rev1_4a.dsn	Damon Domke	1.4A
Date: Tuesday, October 07, 2014		Sheet: 13 of 27	

U99-17

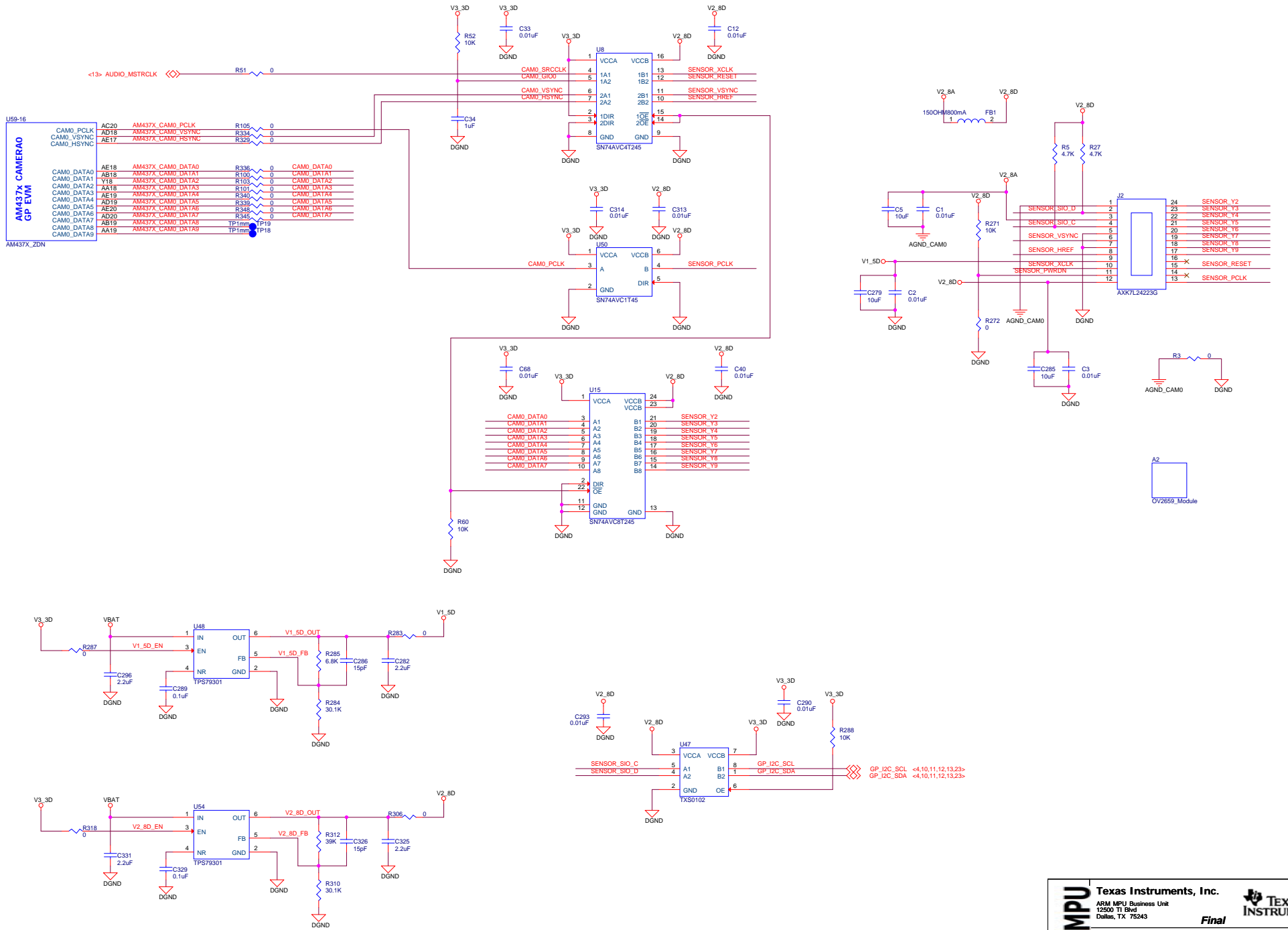
AM437X CAMERA1 GP EVM

AM437X\_ZDN

CAM1_PCLK	AE21	AM437X_CAM1_PCLK
CAM1_VSYNC	AC23	AM437X_CAM1_VSYNC
CAM1_HSYNC	AD25	AM437X_CAM1_HSYNC
CAM1_DATA0	AB20	AM437X_CAM1_DATA0
CAM1_DATA1	AC21	AM437X_CAM1_DATA1
CAM1_DATA2	AD22	AM437X_CAM1_DATA2
CAM1_DATA3	AE22	AM437X_CAM1_DATA3
CAM1_DATA4	AE23	AM437X_CAM1_DATA4
CAM1_DATA5	AD23	AM437X_CAM1_DATA5
CAM1_DATA6	AE24	AM437X_CAM1_DATA6
CAM1_DATA7	AD24	AM437X_CAM1_DATA7
CAM1_DATA8	AC24	AM437X_CAM1_DATA8
CAM1_DATA9		



<b>ARM MPU</b>	<b>Texas Instruments, Inc.</b>			
	ARM MPU Business Unit 12500 TI Blvd Dallas, TX 75243			
	<b>Final</b>			
	<b>AM437x General Purpose EVM</b>			
Camera #1				
Size	Document Number	Modified By:	Rev	
C	am437x_gp_evm_3k0006_rev1_4a.dsn	Damon Domke	1.4A	
Date: Tuesday, October 07, 2014		Sheet: 14 of 27		



U59-16

CAM0_PCLK	AC20	AM437X_CAM0_PCLK	R105	0	
CAM0_VSYNC	AD18	AM437X_CAM0_VSYNC	R334	0	
CAM0_HSYNC	AE17	AM437X_CAM0_HSYNC	R329	0	
CAM0_DATA0	AE18	AM437X_CAM0_DATA0	R336	0	CAM0_DATA0
CAM0_DATA1	AB18	AM437X_CAM0_DATA1	R100	0	CAM0_DATA1
CAM0_DATA2	Y18	AM437X_CAM0_DATA2	R105	0	CAM0_DATA2
CAM0_DATA3	AA18	AM437X_CAM0_DATA3	R101	0	CAM0_DATA3
CAM0_DATA4	AE19	AM437X_CAM0_DATA4	R340	0	CAM0_DATA4
CAM0_DATA5	AD19	AM437X_CAM0_DATA5	R339	0	CAM0_DATA5
CAM0_DATA6	AE20	AM437X_CAM0_DATA6	R348	0	CAM0_DATA6
CAM0_DATA7	AD20	AM437X_CAM0_DATA7	R345	0	CAM0_DATA7
CAM0_DATA8	AB19	AM437X_CAM0_DATA8	TP1m	TP19	CAM0_DATA8
CAM0_DATA9	AA19	AM437X_CAM0_DATA9	TP1m	TP18	CAM0_DATA9

AM437X\_ZDN

**ARM MPU**

**Texas Instruments, Inc.**  
ARM MPU Business Unit  
12500 TI Blvd  
Dallas, TX 75243

**Final**

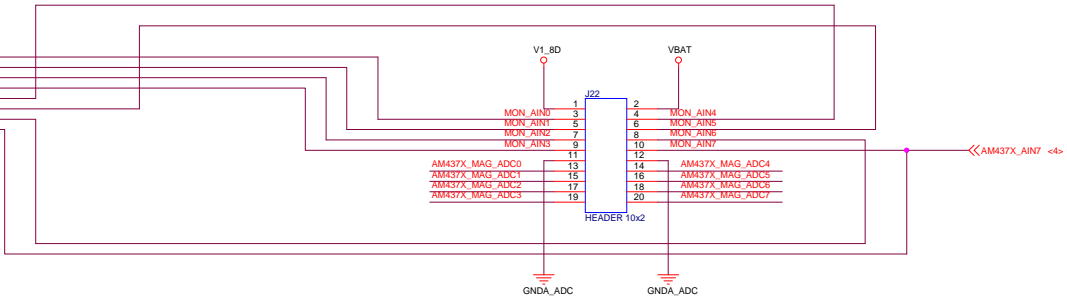
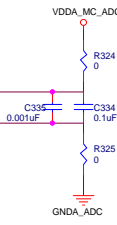
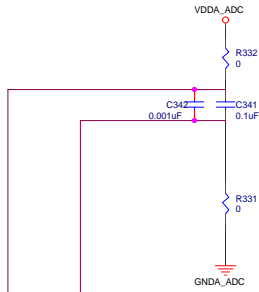
**AM437x General Purpose EVM**  
Camera #0

Size	Document Number	Modified By:	Rev
C	am437x_gp_evm_3k0006_rev1_4a.dsn	Damon Domke	1.4A

Date: Tuesday, October 07, 2014 Sheet: 15 of 27

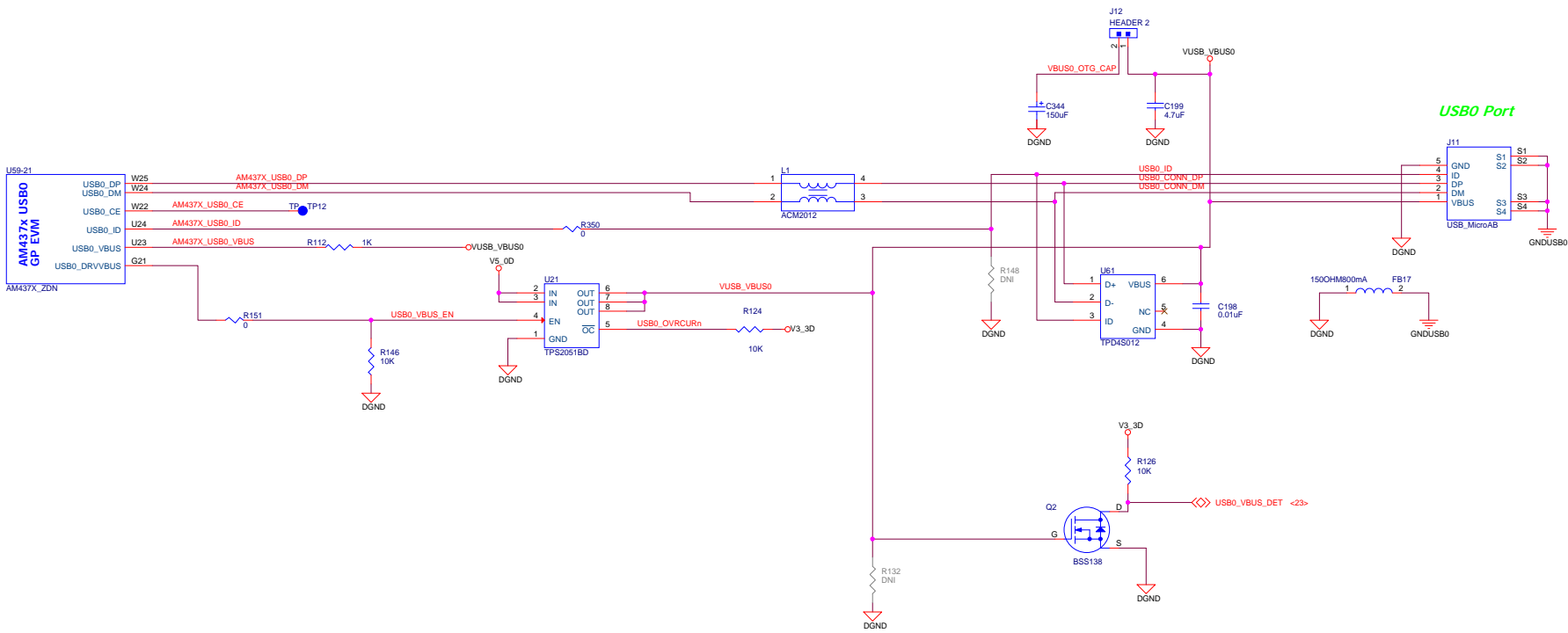
U59-7  
**AM437X ADC INPUTS**  
**GPIO**  
**AM437X\_ZDN**

- ADC0\_VREFP AD14 AM437X\_VREFP
- ADC0\_VREFN AE14 AM437X\_VREFN
- ADC0\_AIN0 AA12 AM437X\_AIN0
- ADC0\_AIN1 Y12 AM437X\_AIN1
- ADC0\_AIN2 AA13 AM437X\_AIN3
- ADC0\_AIN3 AB13 AM437X\_AIN4
- ADC0\_AIN4 AC13 AM437X\_AIN5
- ADC0\_AIN5 AD13 AM437X\_AIN6
- ADC0\_AIN6 AE13 AM437X\_AIN7
- ADC0\_AIN7
- ADC1\_VREFP AE15
- ADC1\_VREFN AD15
- ADC1\_AIN0 AC16 AM437X\_MAG\_ADC0
- ADC1\_AIN1 AB16 AM437X\_MAG\_ADC1
- ADC1\_AIN2 AA16 AM437X\_MAG\_ADC2
- ADC1\_AIN3 AB15 AM437X\_MAG\_ADC3
- ADC1\_AIN4 AA15 AM437X\_MAG\_ADC4
- ADC1\_AIN5 Y15 AM437X\_MAG\_ADC5
- ADC1\_AIN6 AE16 AM437X\_MAG\_ADC6
- ADC1\_AIN7 AD16 AM437X\_MAG\_ADC7

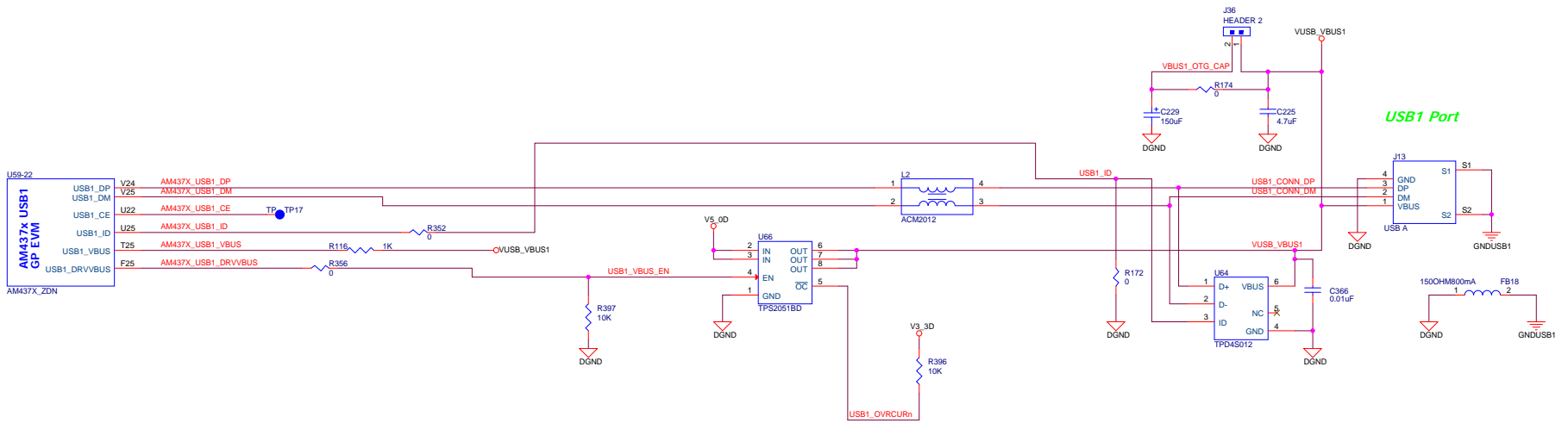


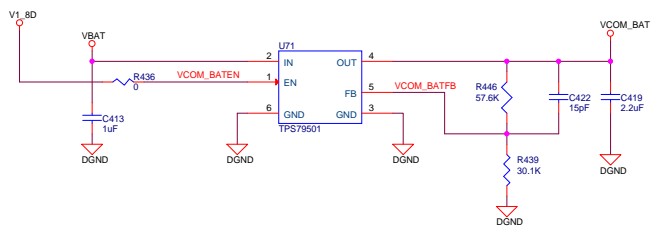
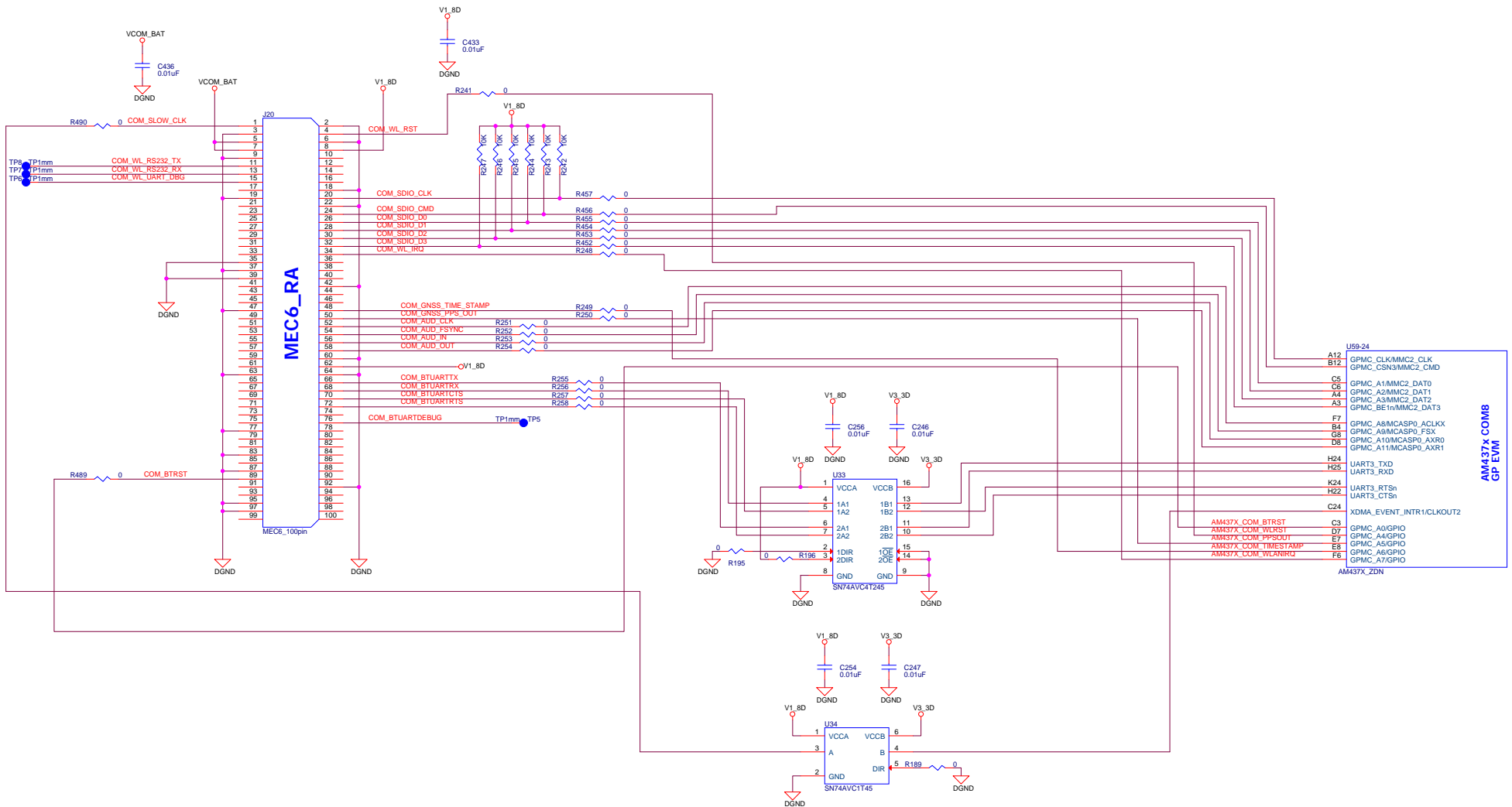
<b>ARM MPU</b>	<b>Texas Instruments, Inc.</b>			
	ARM MPU Business Unit 12500 TI Blvd Dallas, TX 75243			
				<b>Final</b>
	<b>AM437x General Purpose EVM</b>			
ADC Test Header				
Size	Document Number	Modified By:	Rev	
C	am437x_gp_evm_3k0006_rev1_4a.dsn	Damon Domke	1.4A	
Date: Tuesday, October 07, 2014		Sheet: 16 of 27		

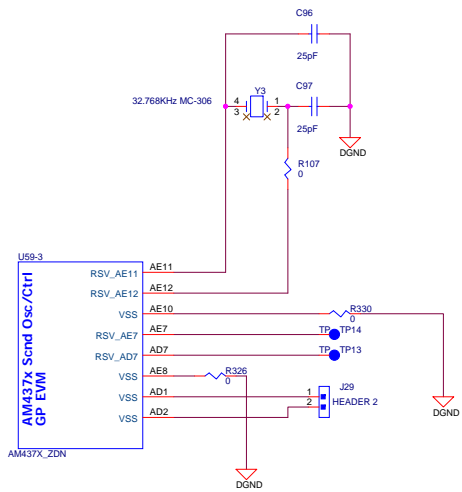


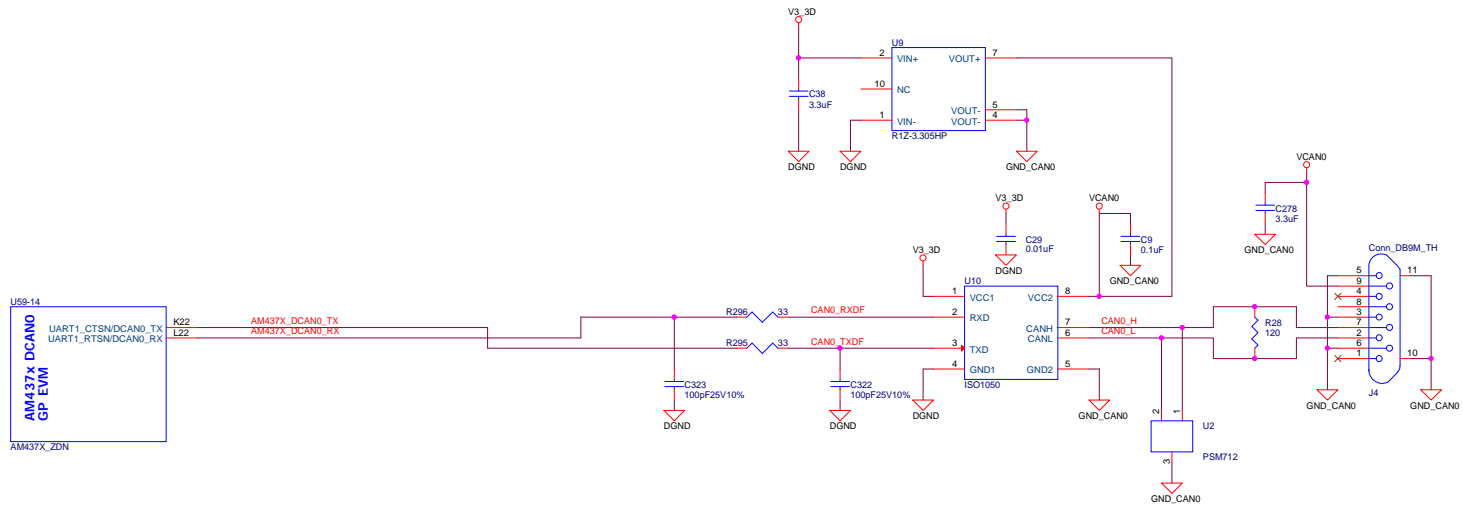


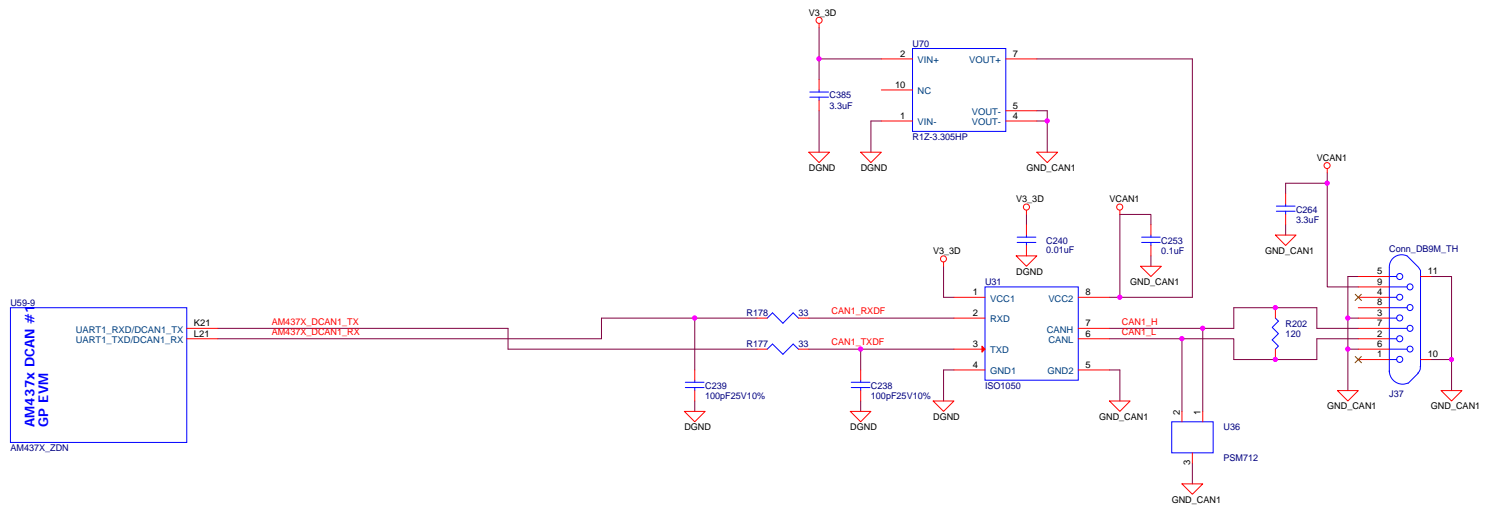
USB0 Port

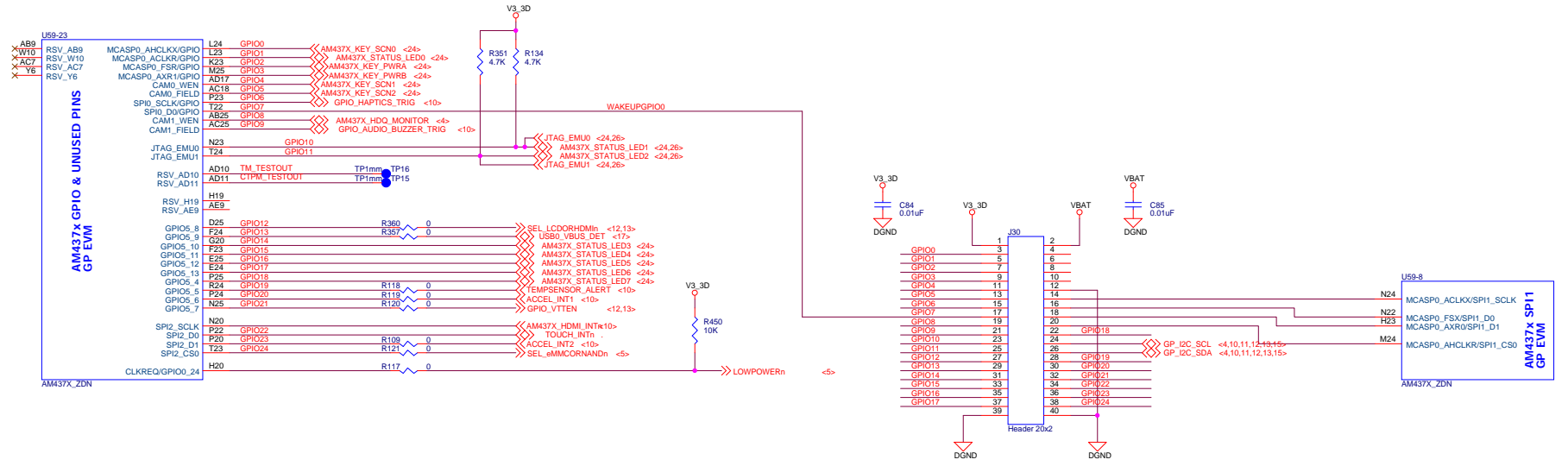




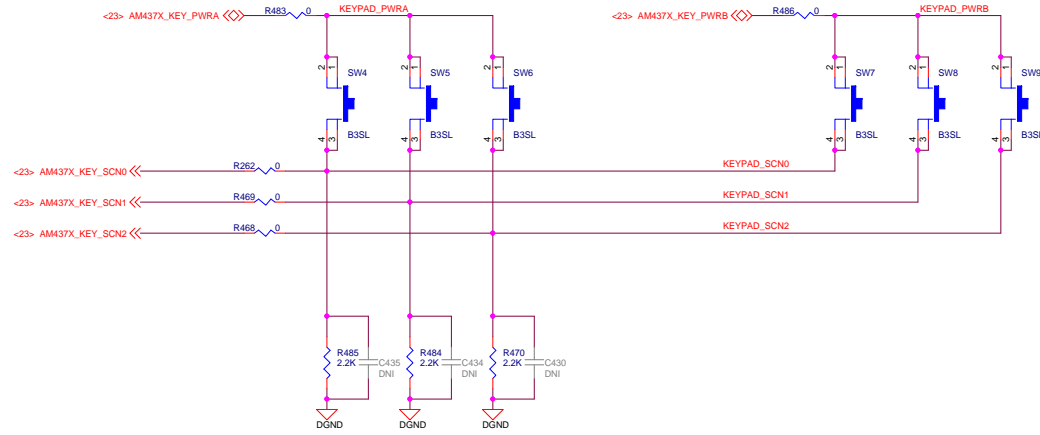




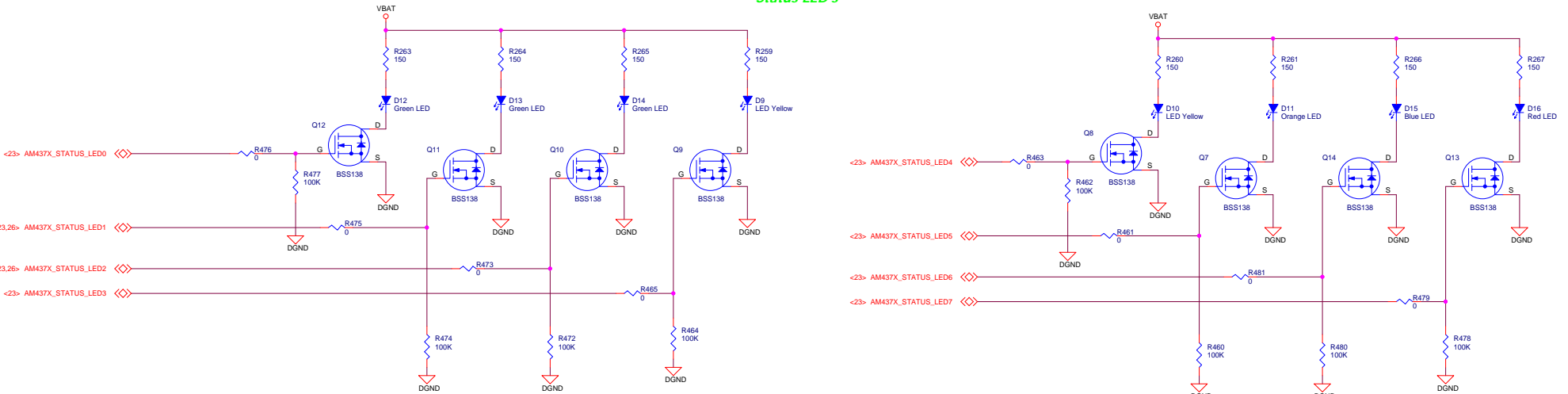




Key Pad - Top Side

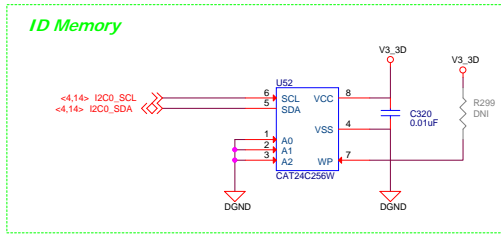


Status LED's

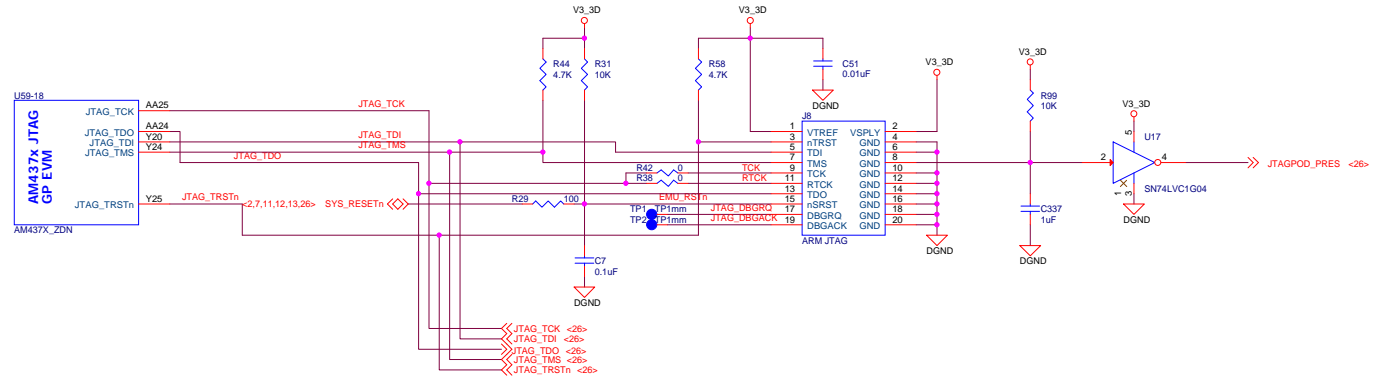


<b>ARM MPU</b>	<b>Texas Instruments, Inc.</b>			
	ARM MPU Business Unit 12500 TI Blvd Dallas, TX 75243			
	<b>Final</b>			
	<b>AM437x General Purpose EVM</b> Keypad/Status LED's			
Size	Document Number	Modified By:	Rev	
C	am437x_gp_evm_3k0006_rev1_4a.dsn	Damon Domke	1.4A	
Date: Tuesday, October 07, 2014		Sheet: 24 of 27		

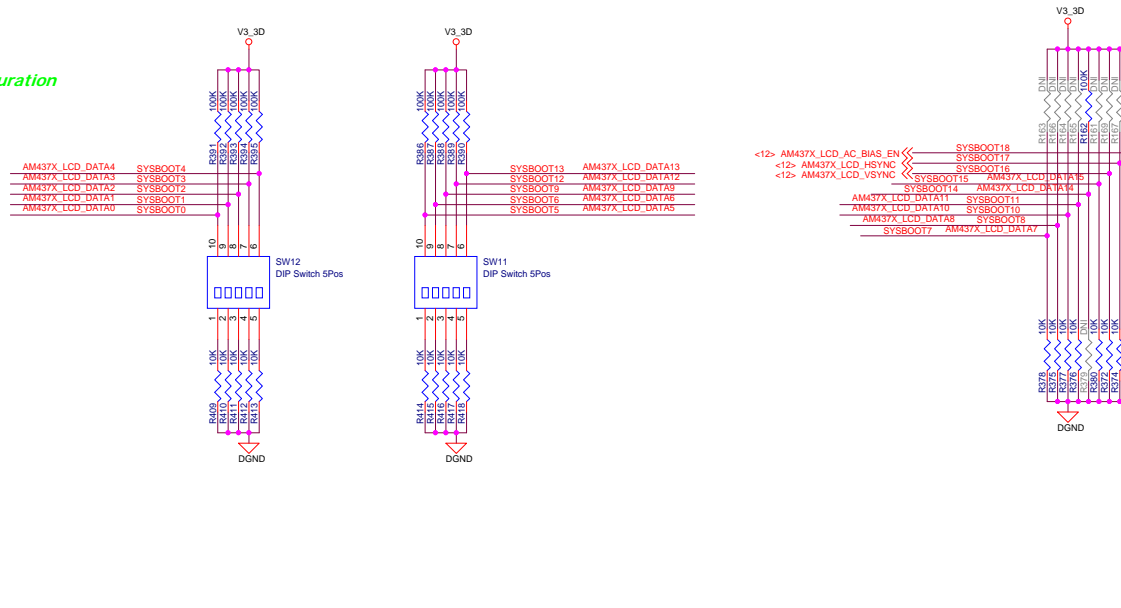




### JTAG Connector

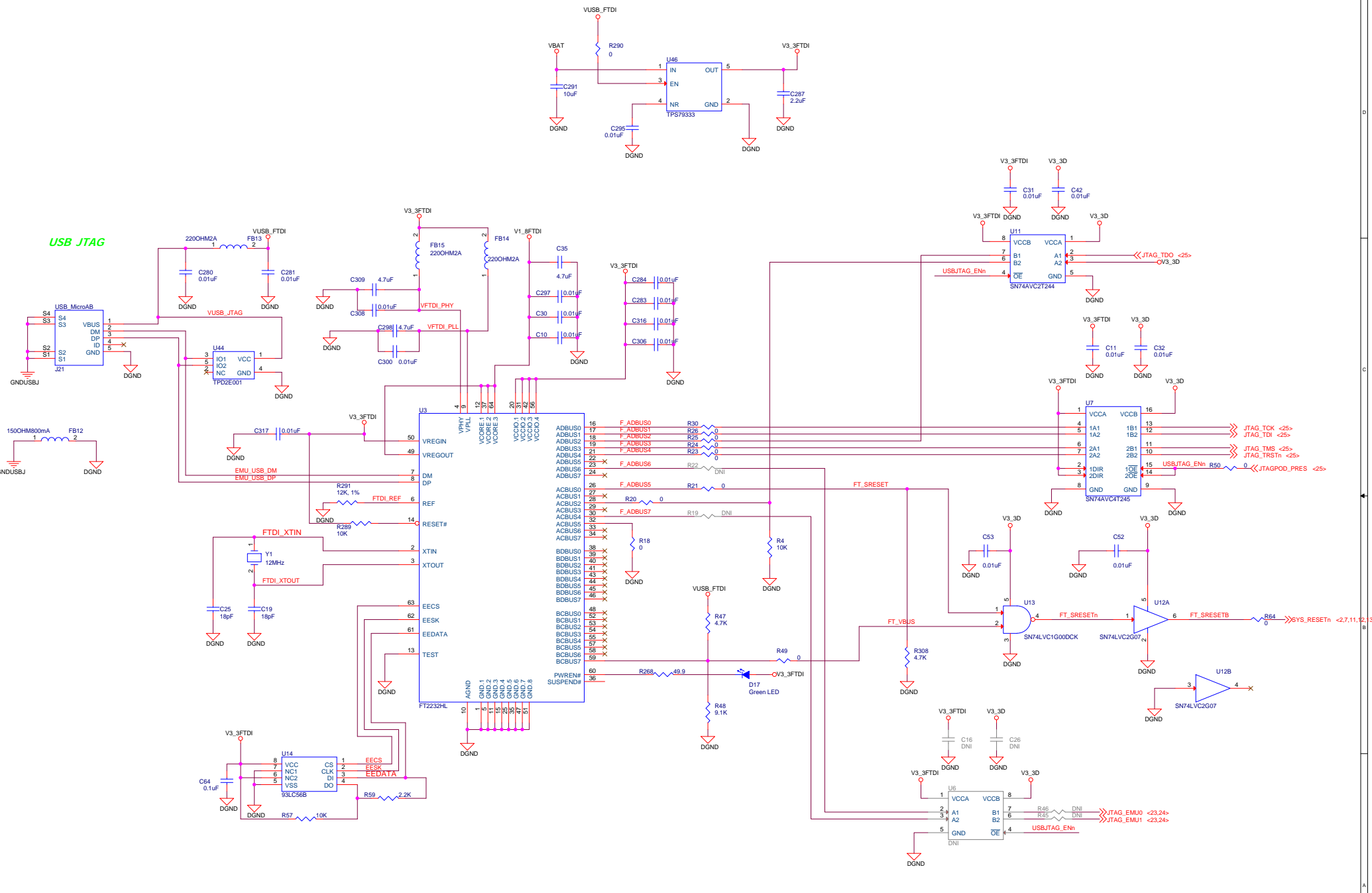


### Boot Configuration



<b>ARM MPU</b>	<b>Texas Instruments, Inc.</b>		
	ARM MPU Business Unit 12500 TI Blvd Dallas, TX 75243		
	<b>Final</b> <b>INSTRUMENTS</b>		
<b>AM437x General Purpose EVM</b>			
Debug Configuration			
Size	Document Number	Modified By:	Rev
C	am437x_gp_evm_3k0006_rev1_4a.dsn	Damon Domka	1.4A
Date: Tuesday, October 07, 2014		Sheet: 25 of 27	

**USB JTAG**



ARM MPU

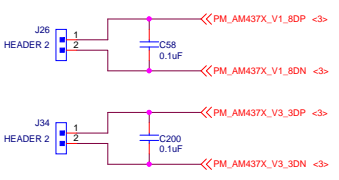
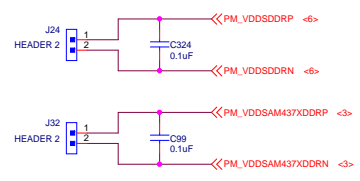
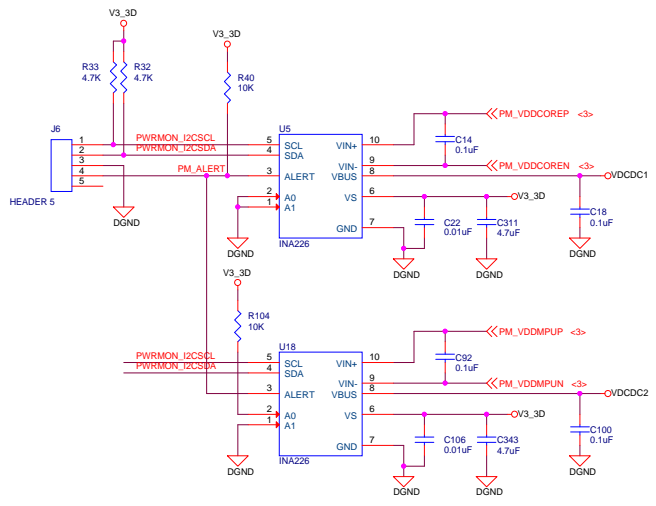
**Texas Instruments, Inc.**  
 ARM MPU Business Unit  
 12500 TI Blvd  
 Dallas, TX 75243

**Final**

**AM437x General Purpose EVM**  
**USB JTAG**

Size	Document Number	Modified By:	Rev
C	am437x_gp_evm_3k0006_rev1_4a.dsn	Damon Domke	1.4A

Date: Tuesday, October 07, 2014 Sheet: 26 of 27



<b>ARM MPU</b>	<b>Texas Instruments, Inc.</b>			
	ARM MPU Business Unit 12500 TI Blvd Dallas, TX 75243			
				<b>Final</b>
	<b>AM437x General Purpose EVM</b>			
Power Monitor				
Size	Document Number	Modified By:	Rev	
C	am437x_gp_evm_3k0006_rev1_4a.dsn	Damon Domke	1.4A	
Date: Tuesday, October 07, 2014		Sheet: 27 of 27		