

# Page1:Table of Contents

## Change List

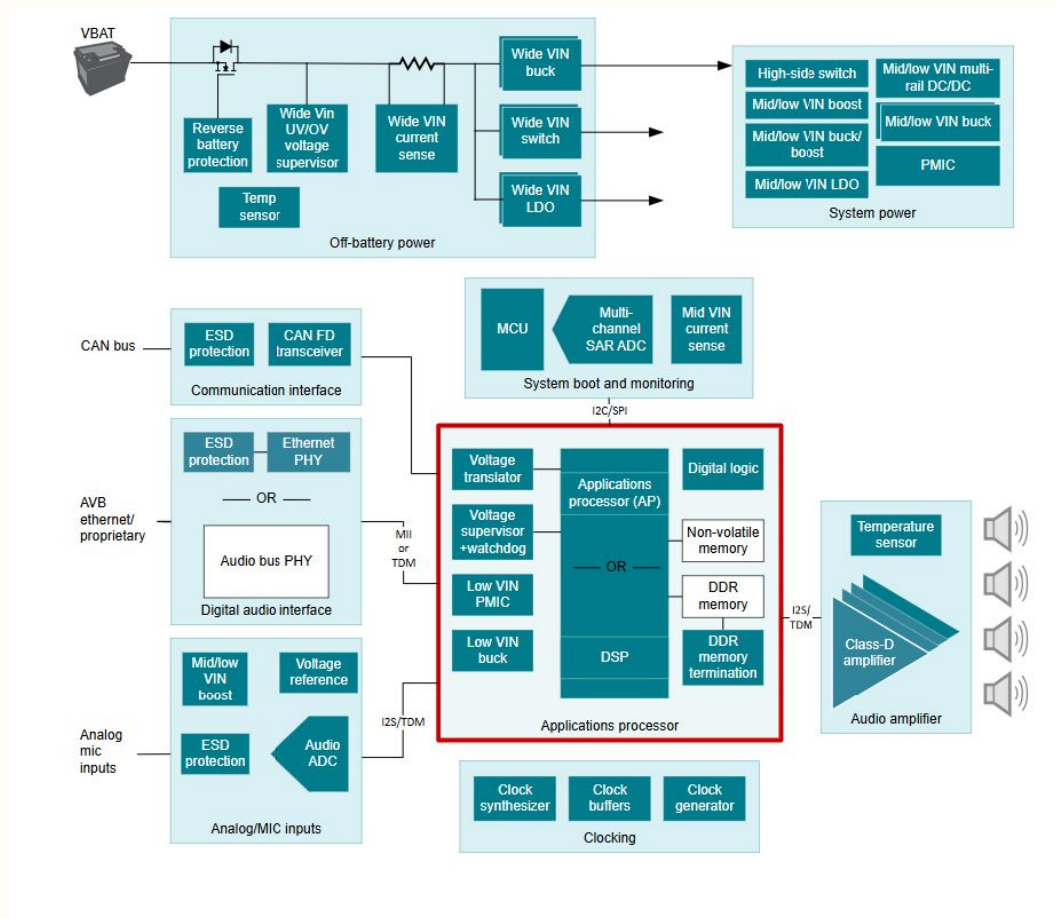
PAGE	CONTENTS	VERSION	CONTENTS MODIFIED	QUESTION RECORDS	SYNC	DATE
1	Table of Contents	A01	First Design		Land	2025/05/16
2	Block Diagram					
3	Power					
4	DSP					
5	DSP2					
6	Audio					
7	MIC					
8	NET_Connect					

LAST\_MODIFICATION:

LAST\_MODIFICATION:

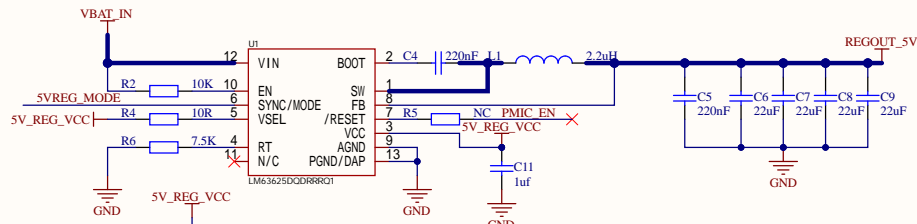
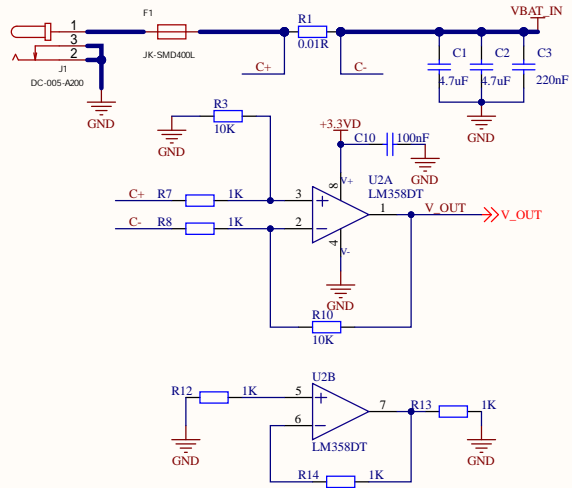
	QTY	DESCRIPTION
SCH		
PCB		
BOM		

		Project	Home_ANC_Board_V1.0.PrfPcb
		Title	01_Table_of_Content.SchDoc
Customer	*	Drawn by	Land
Version	A01	Checked by	*
Sheet of	1	Approved by	*
Date	*	Finished coding	*

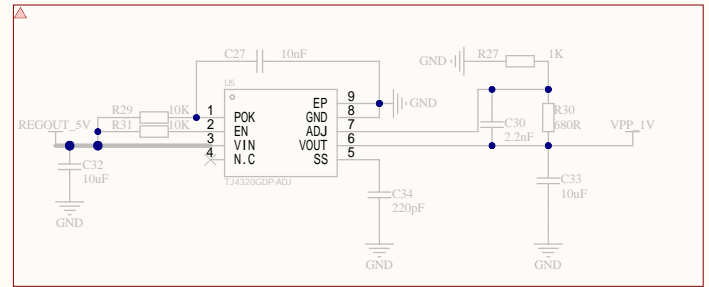
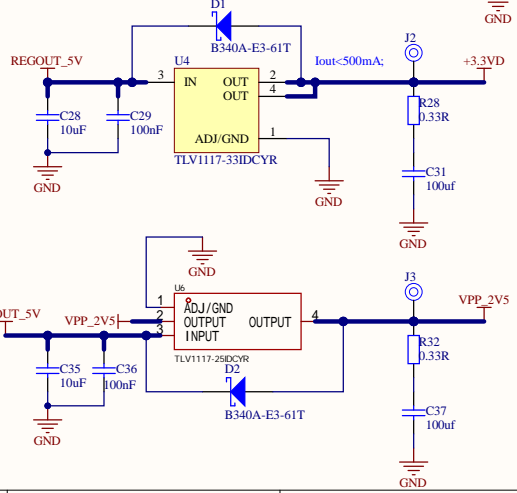
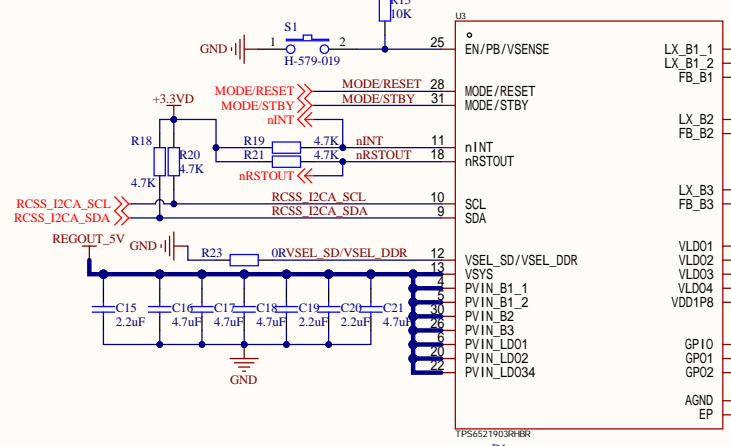
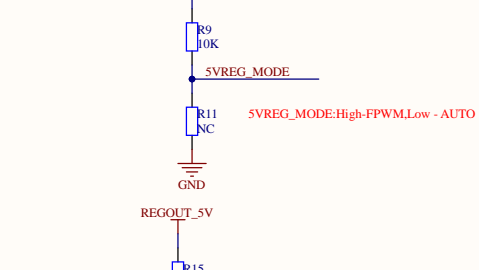


		Project	Home_ANC_Board_V1.0.PrfPcb
		Title	02_Block_Diagram.SchDoc
Customer	*	Drawn by	Land
Version	A01	Checked by	*
Sheet of	1	Approved by	*
Date	*	Finished coding	*

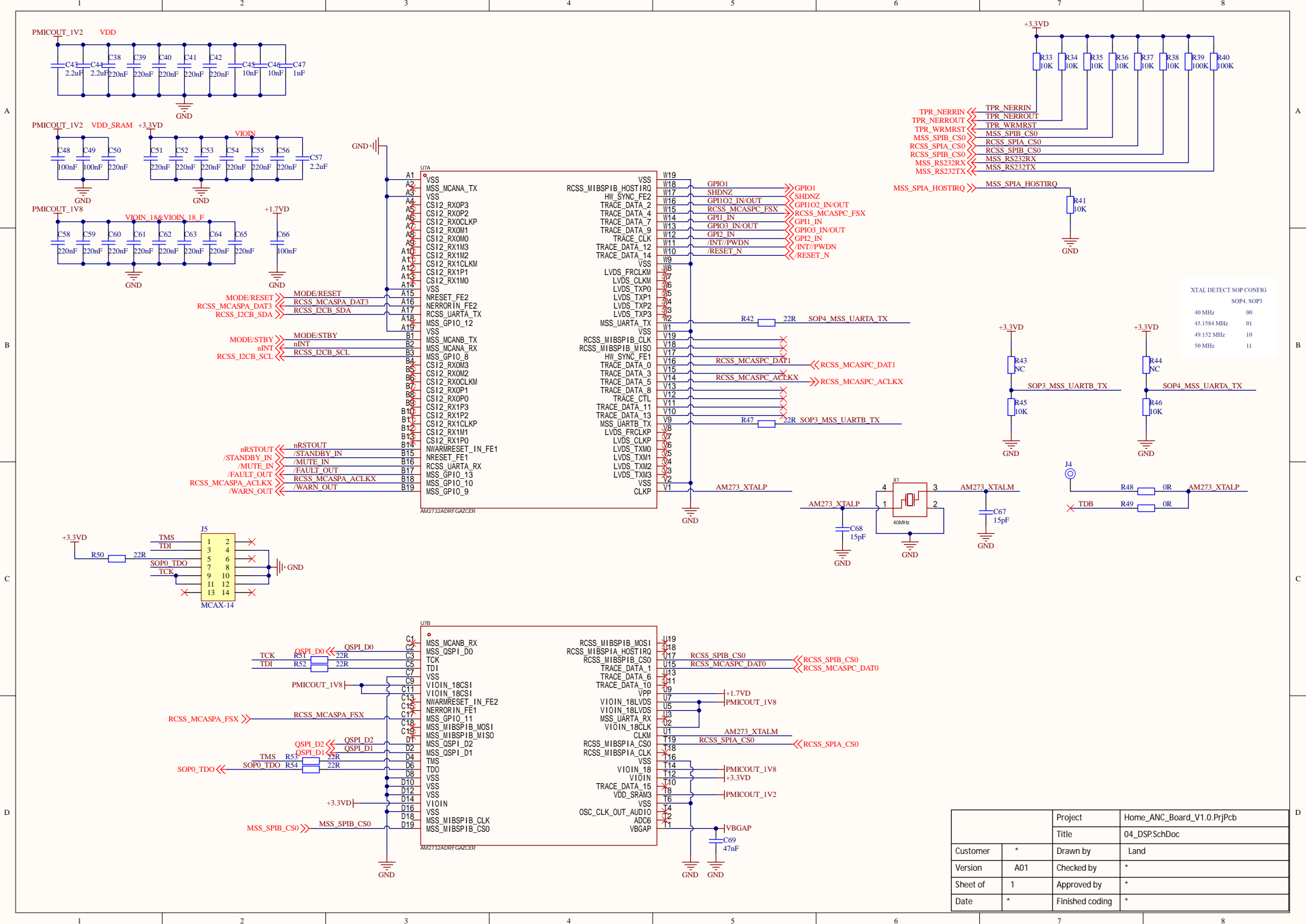
电源适配器型号: GSM60A12-PIG



Switching Frequency:2.1MHz  
Mode:Forced PWM  
Output Voltage: Fixed 3.3  
Output current limit:2.5A



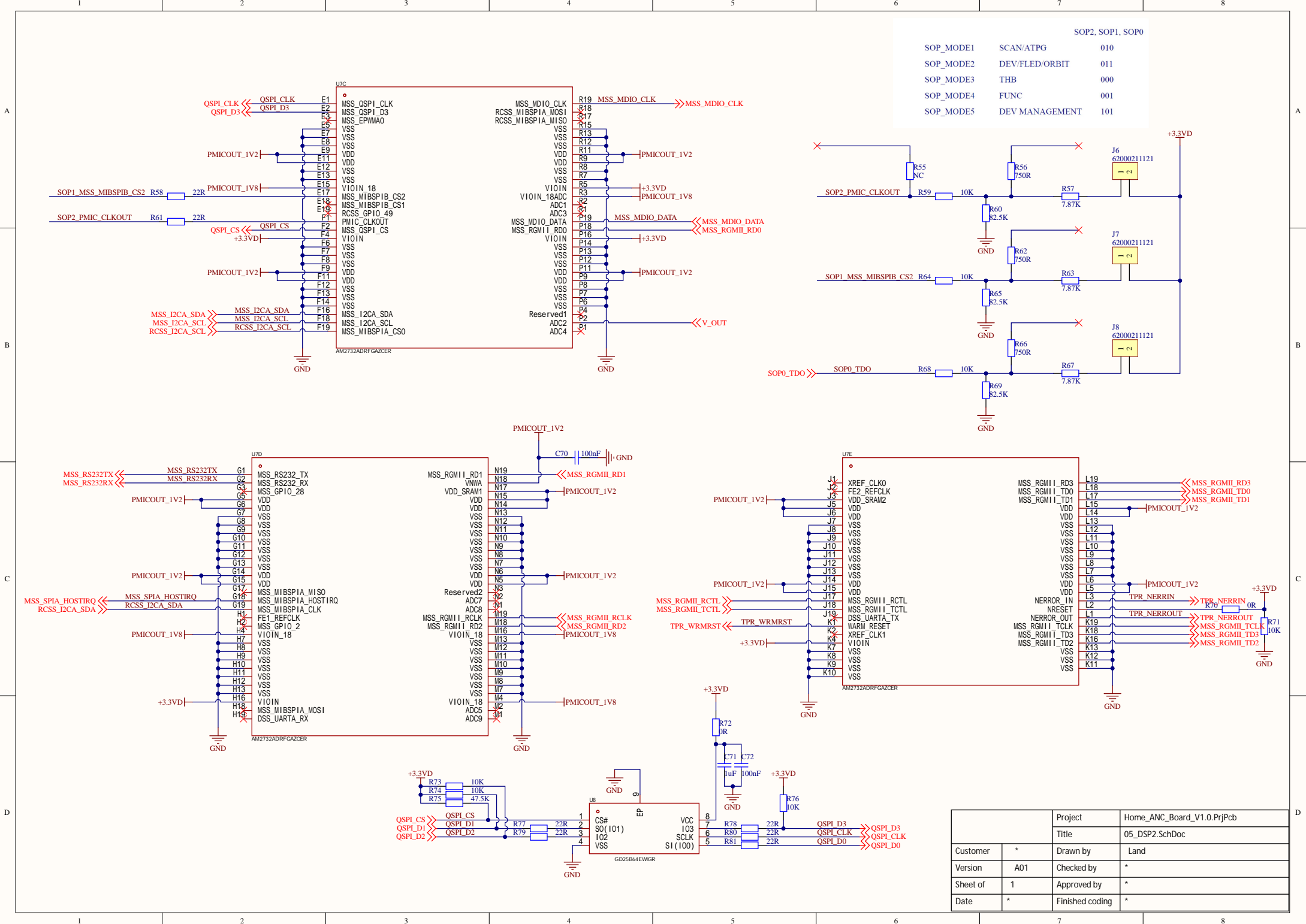
		Project	Home_ANC_Board_V1.0.PrjPcb
		Title	03_Power.SchDoc
Customer	*	Drawn by	Land
Version	A01	Checked by	*
Sheet of	1	Approved by	*
Date	*	Finished coding	*



XTAL DETECT SOP CONFIG

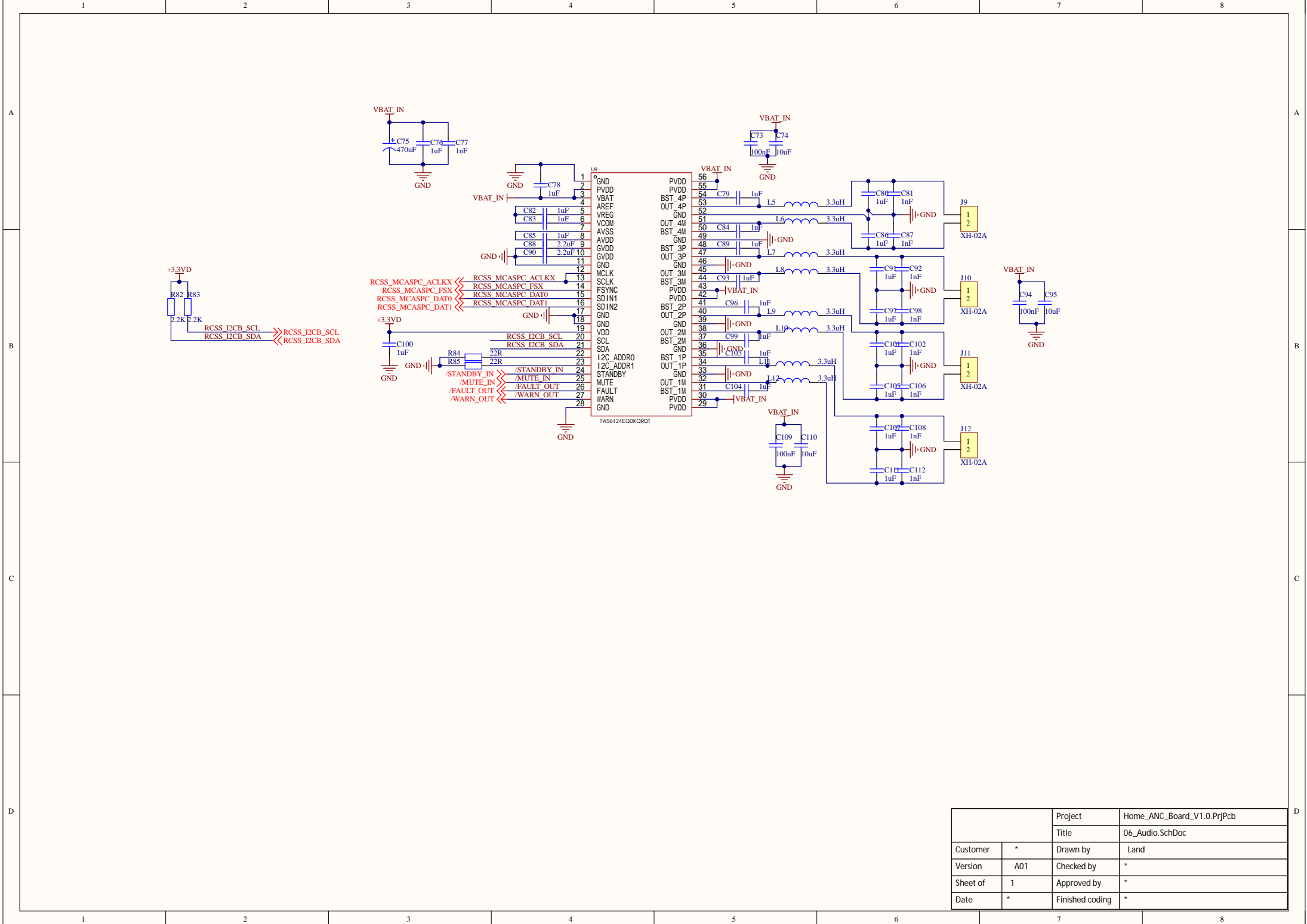
	SOP4, SOP3
40 MHz	00
45.1584 MHz	01
49.152 MHz	10
50 MHz	11

Project		Home_ANC_Board_V1.0.PrcPcb	
Title		04_DSP.SchDoc	
Customer	*	Drawn by	Land
Version	A01	Checked by	*
Sheet of	1	Approved by	*
Date	*	Finished coding	*

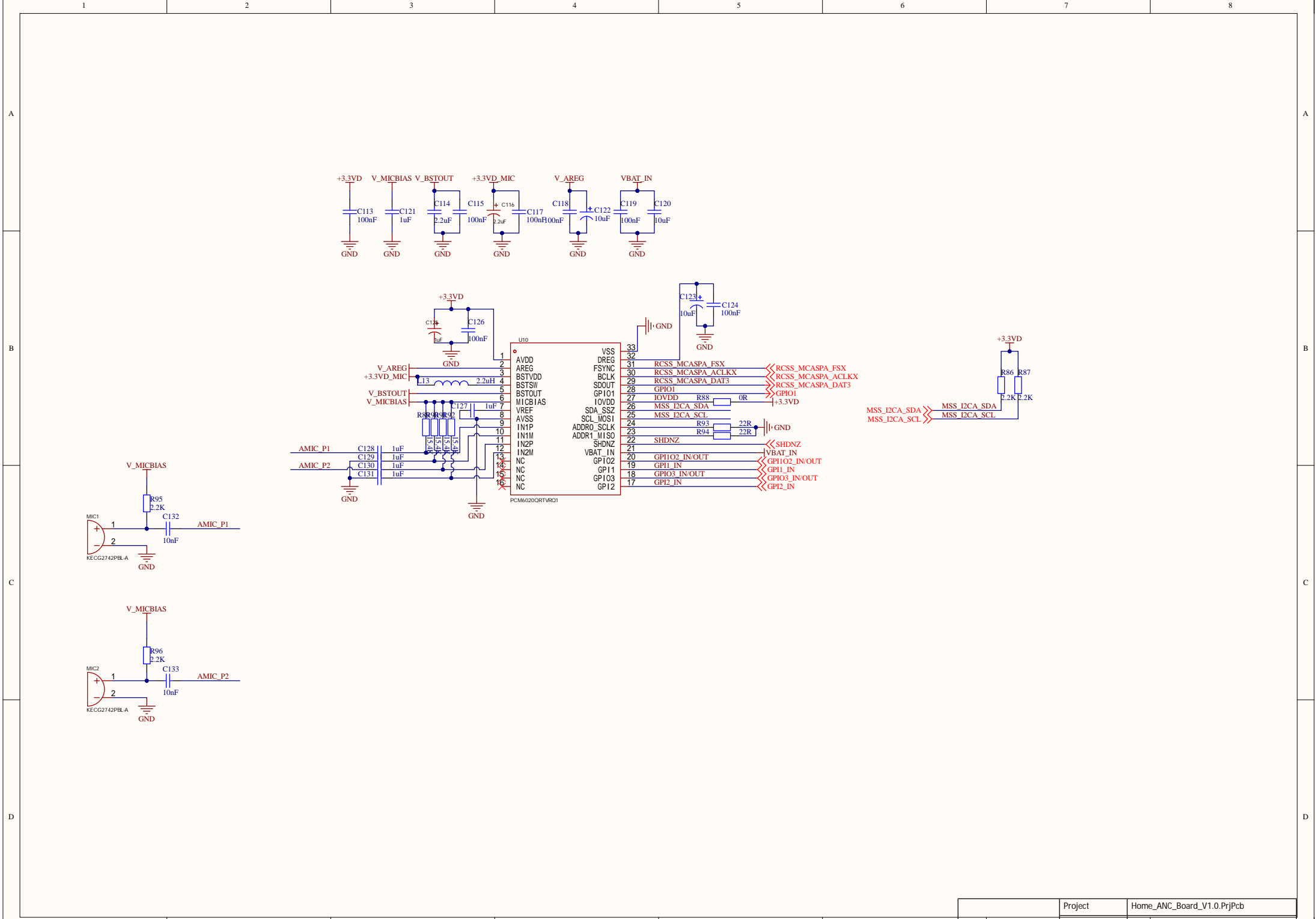


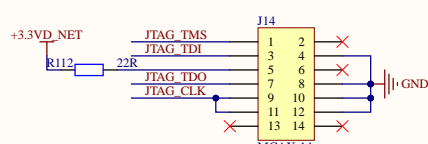
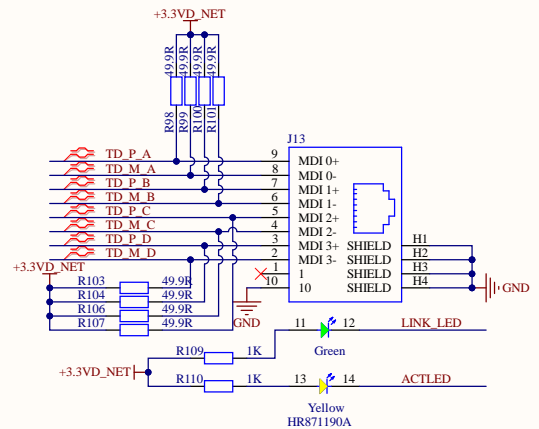
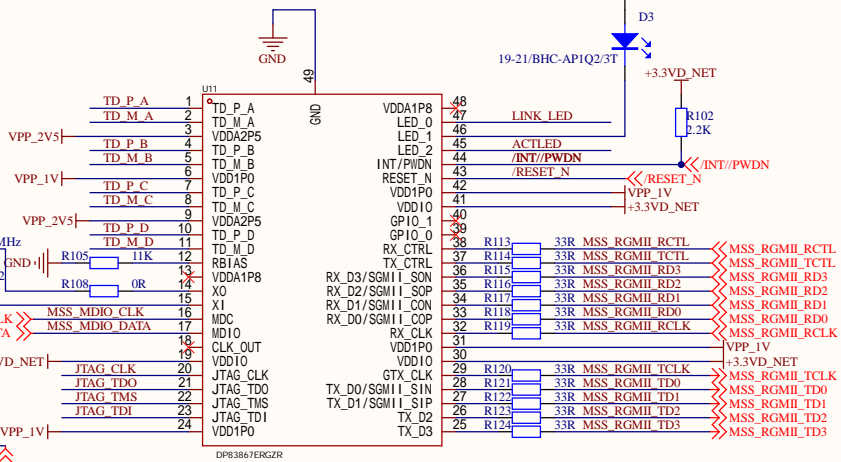
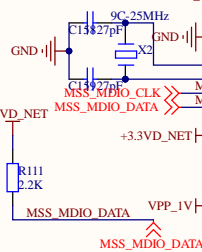
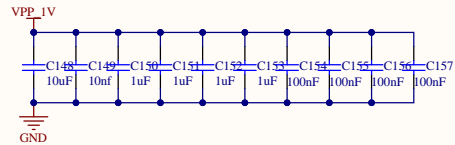
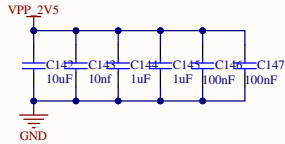
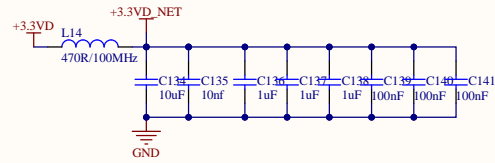
SOP2, SOP1, SOP0		
SOP_MODE1	SCAN/ATPG	010
SOP_MODE2	DEV/FLED/ORBIT	011
SOP_MODE3	THB	000
SOP_MODE4	FUNC	001
SOP_MODE5	DEV MANAGEMENT	101

Project		Home_ANC_Board_V1.0.PrjPcb	
Title		05_DSP2.SchDoc	
Customer	*	Drawn by	Land
Version	A01	Checked by	*
Sheet of	1	Approved by	*
Date	*	Finished coding	*



		Project	Home_ANC_Board_V1.0.PrfPcb
		Title	06_Audio.SchDoc
Customer	*	Drawn by	Land
Version	A01	Checked by	*
Sheet of	1	Approved by	*
Date	*	Finished coding	*





		Project	Home_ANC_Board_V1.0.PrpPcb
		Title	08_NET_Connect.SchDoc
Customer	*	Drawn by	Land
Version	A01	Checked by	*
Sheet of	1	Approved by	*
Date	*	Finished coding	*

Home\_ANC\_Board\_V1.0  
20250617

