

1 2 3 4 5 6 7 8

A

A

B

B

C

C

D

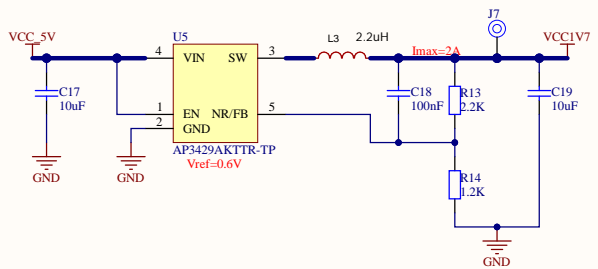
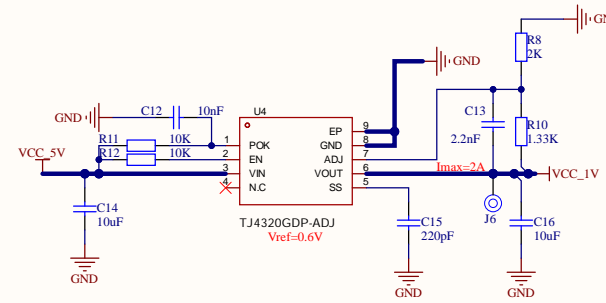
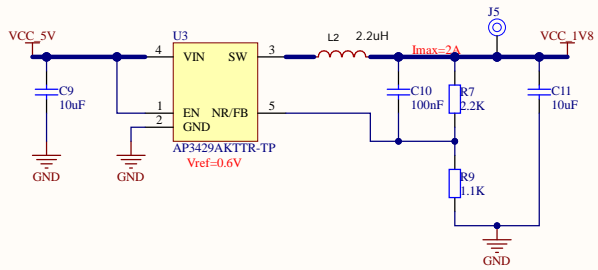
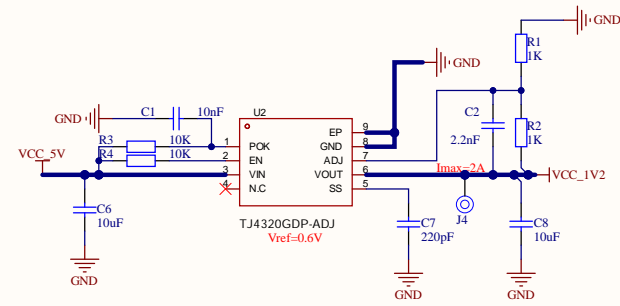
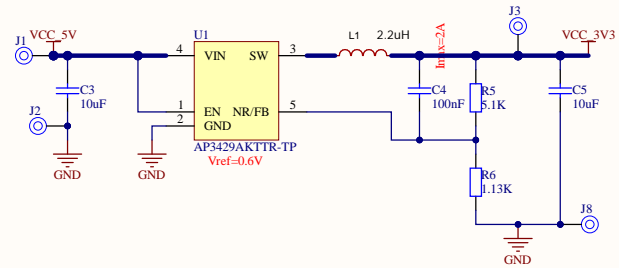
D

1 2 3 4 5 6 7 8

		Project	Power_SUPPLY_Board_V1.0.PrjPcb
		Title	01_Table_of_Content.SchDoc
Customer	*	Drawn by	Land
Version	A01	Checked by	*
Sheet of	1	Approved by	*
Date	*	Finished coding	*

	1	2	3	4	5	6	7	8	
A									A
B									B
C									C
D									D
	1	2	3	4	5	6	7	8	

		Project	Power_SUPPLY_Board_V1.0.PrjPcb
		Title	02_Block_Diagram.SchDoc
Customer	*	Drawn by	Land
Version	A01	Checked by	*
Sheet of	1	Approved by	*
Date	*	Finished coding	*



		Project	Power_SUPPLY_Board_V1.0.PrfPcb
		Title	03_Main_Circuit.SchDoc
Customer	*	Drawn by	Land
Version	A01	Checked by	*
Sheet of	1	Approved by	*
Date	*	Finished coding	*