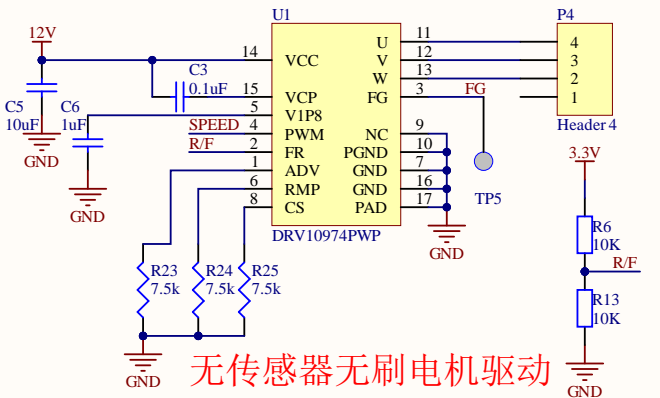
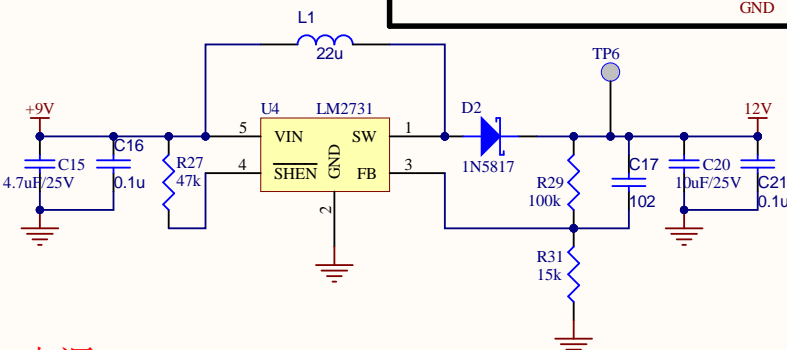
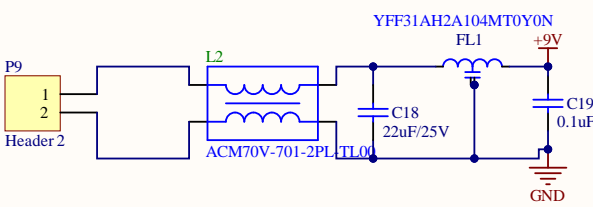
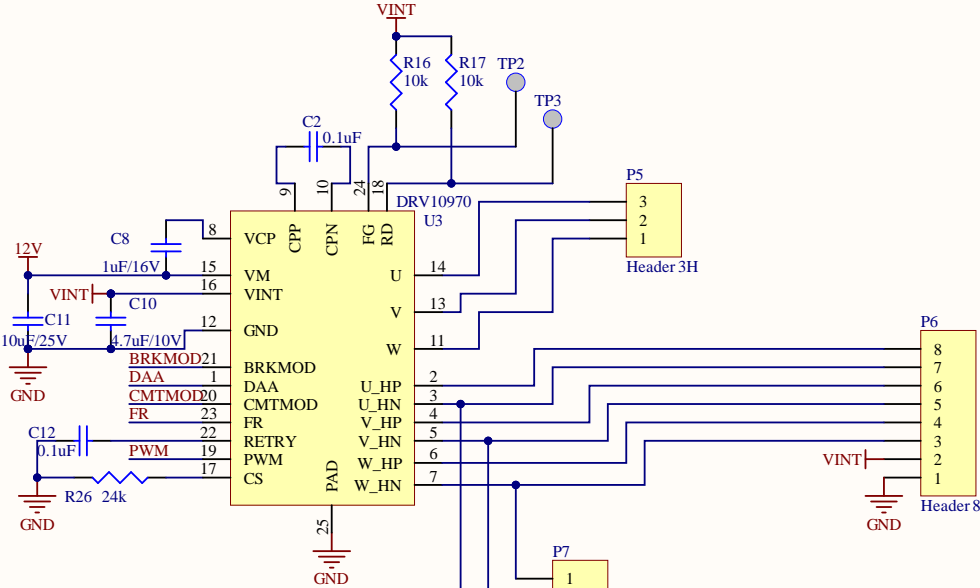
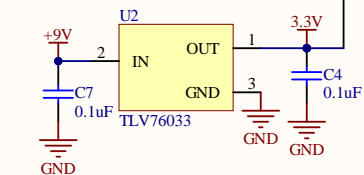


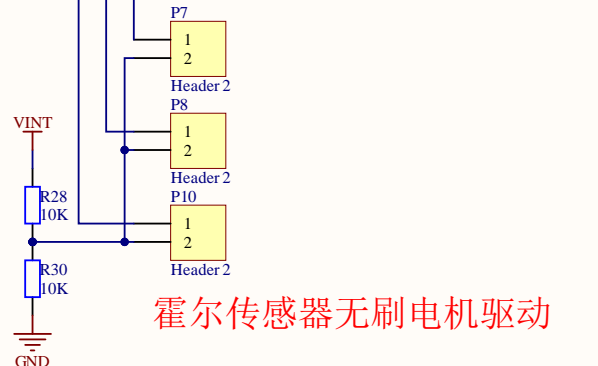
转数控制：PWM和模拟电压



无传感器无刷电机驱动



电源



霍尔传感器无刷电机驱动

Title		
Size	Number	Revision
A3		
Date:	1/20/2025	Sheet of
File:	D:\3715-06直流电机PWM调速电路\电路原理图-19.SCHDOC	Drawn by