

5

4

3

2

1

D

D

C

C

B

B

A

A

Drafted By : WXQ

Approved By : X X X



Title: P01_Block Diagram

Size:

A

Document Number

DDH

Revision: 1.0

Effective Date: Friday, December 20, 2024

Sheet 1 of 5

5

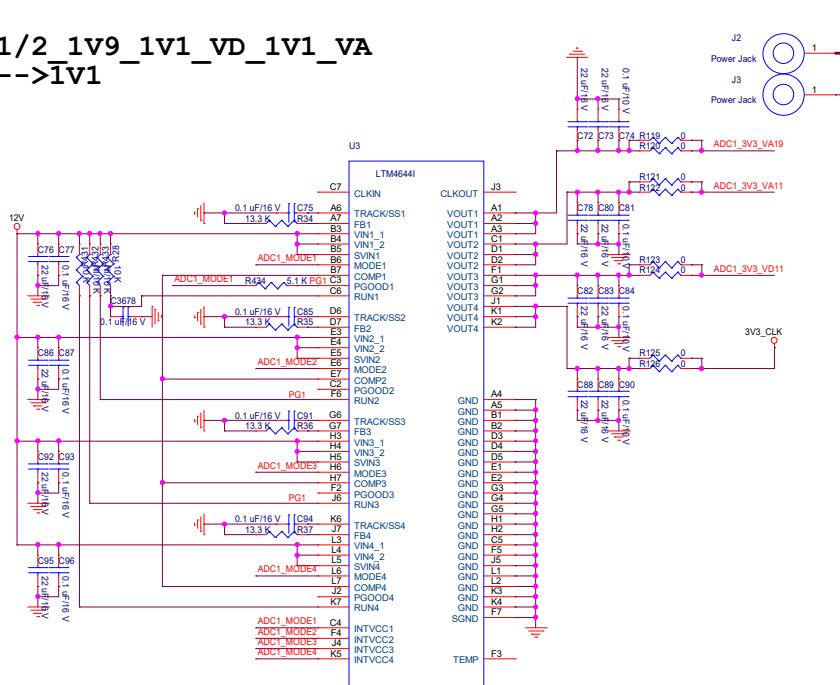
4

3

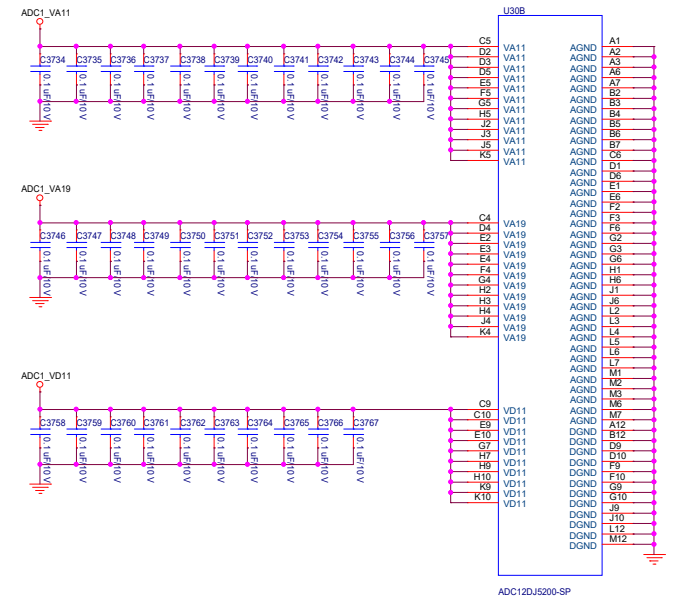
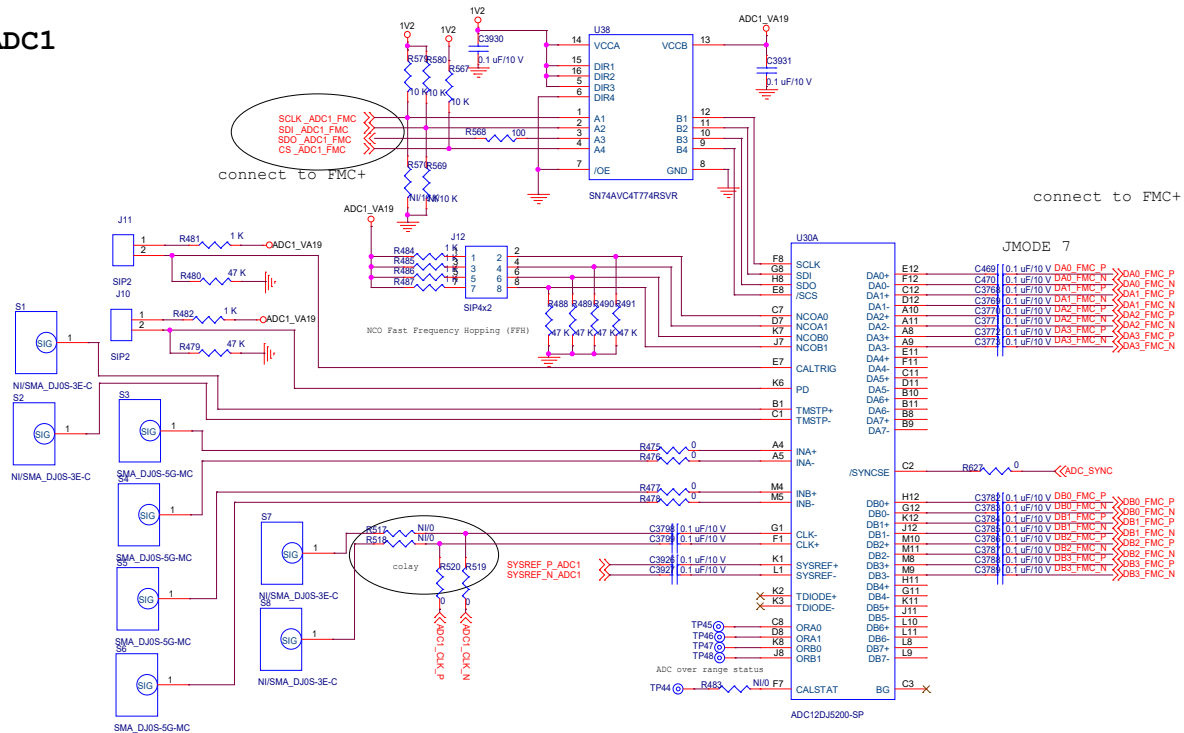
2

1

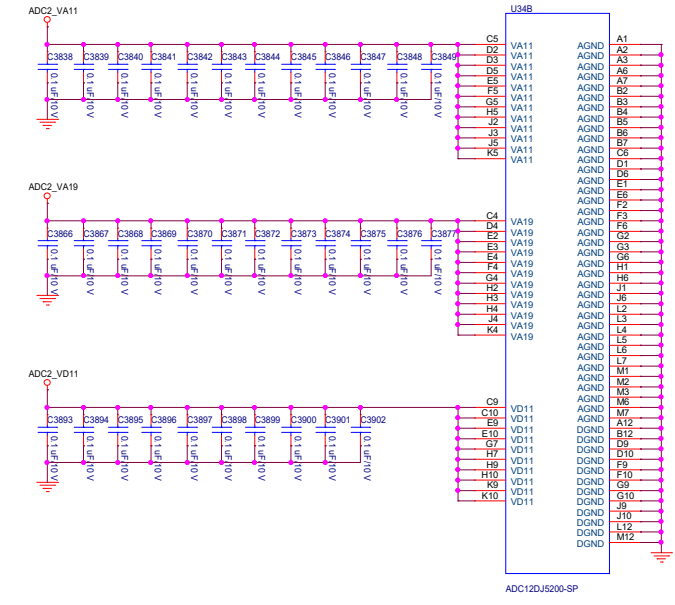
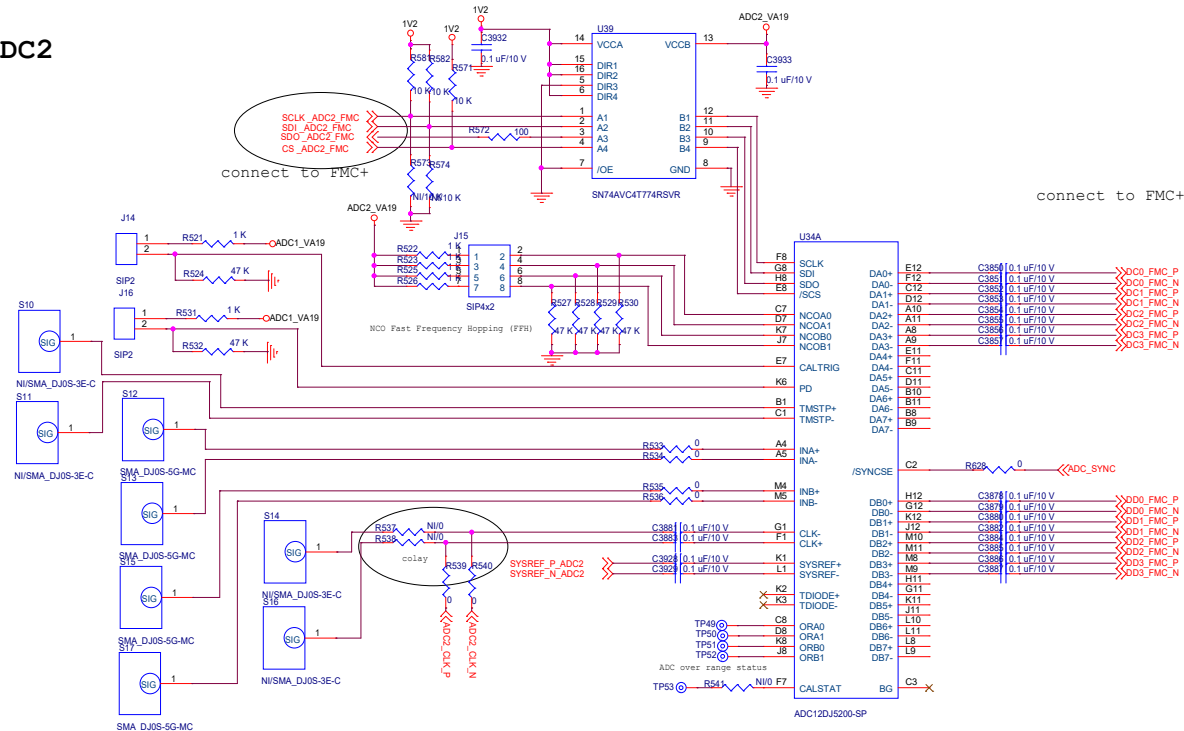
ADC1/2_1V9_1V1_VD_1V1_VA 1V9-->1V1



ADC1



ADC2



| | | | |
|---|----------------------|------------------|--|
| Drafted By: WXG | | Approved By: XXX | |
| Title: P04_ADC | Document Number: DDH | Revision: 1.0 | |
| Effective Date: Friday, December 20, 2024 | Sheet 4 of 5 | | |

