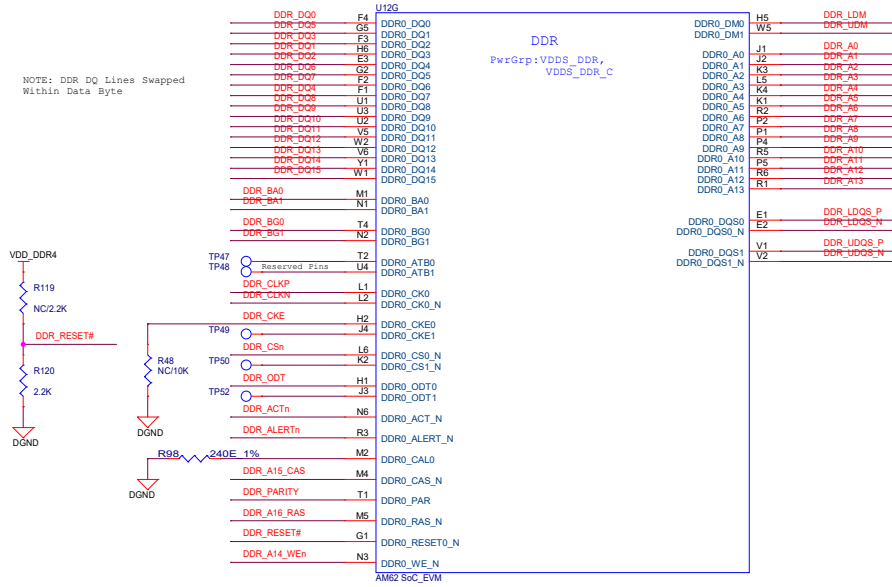
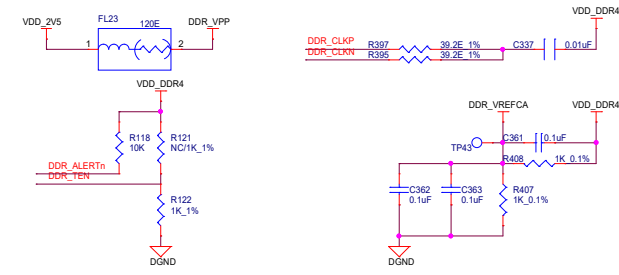
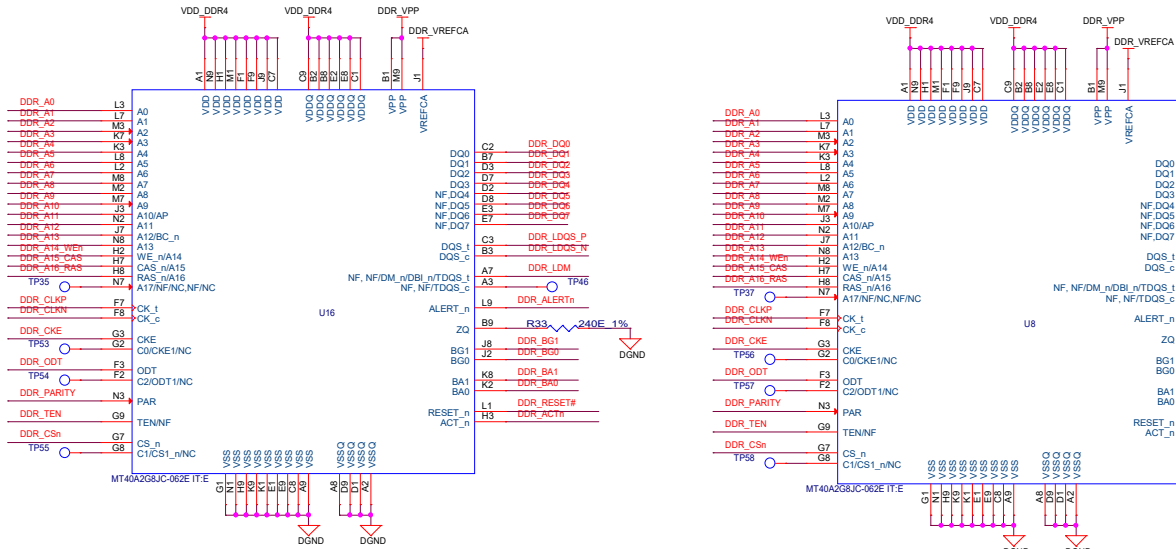


# SOC DDR INTERFACE



# DDR4 DEVICE



DDR4 DEVICE POWER DECAPS(U8)

DDR4 DEVICE POWER DECAPS(U16)

