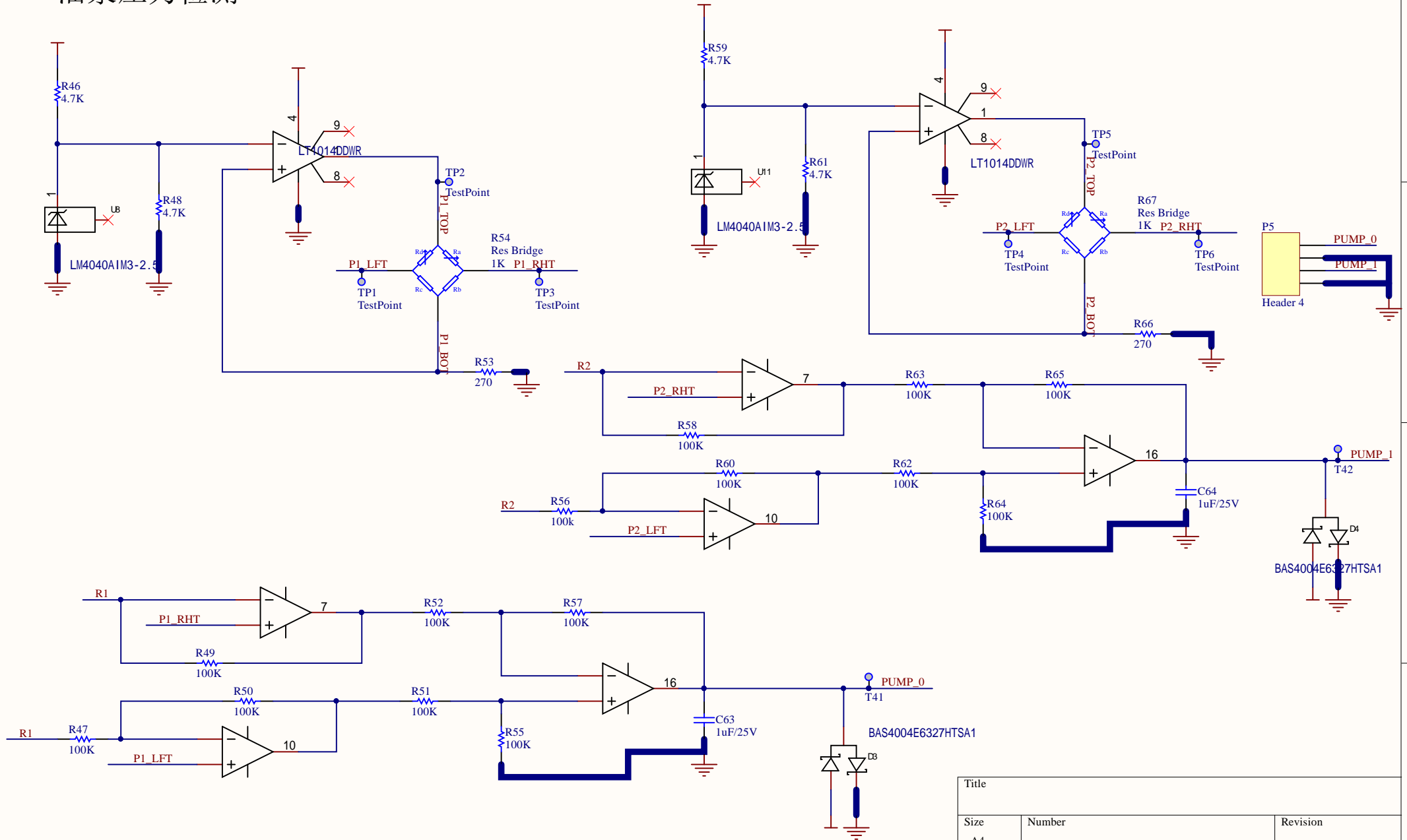


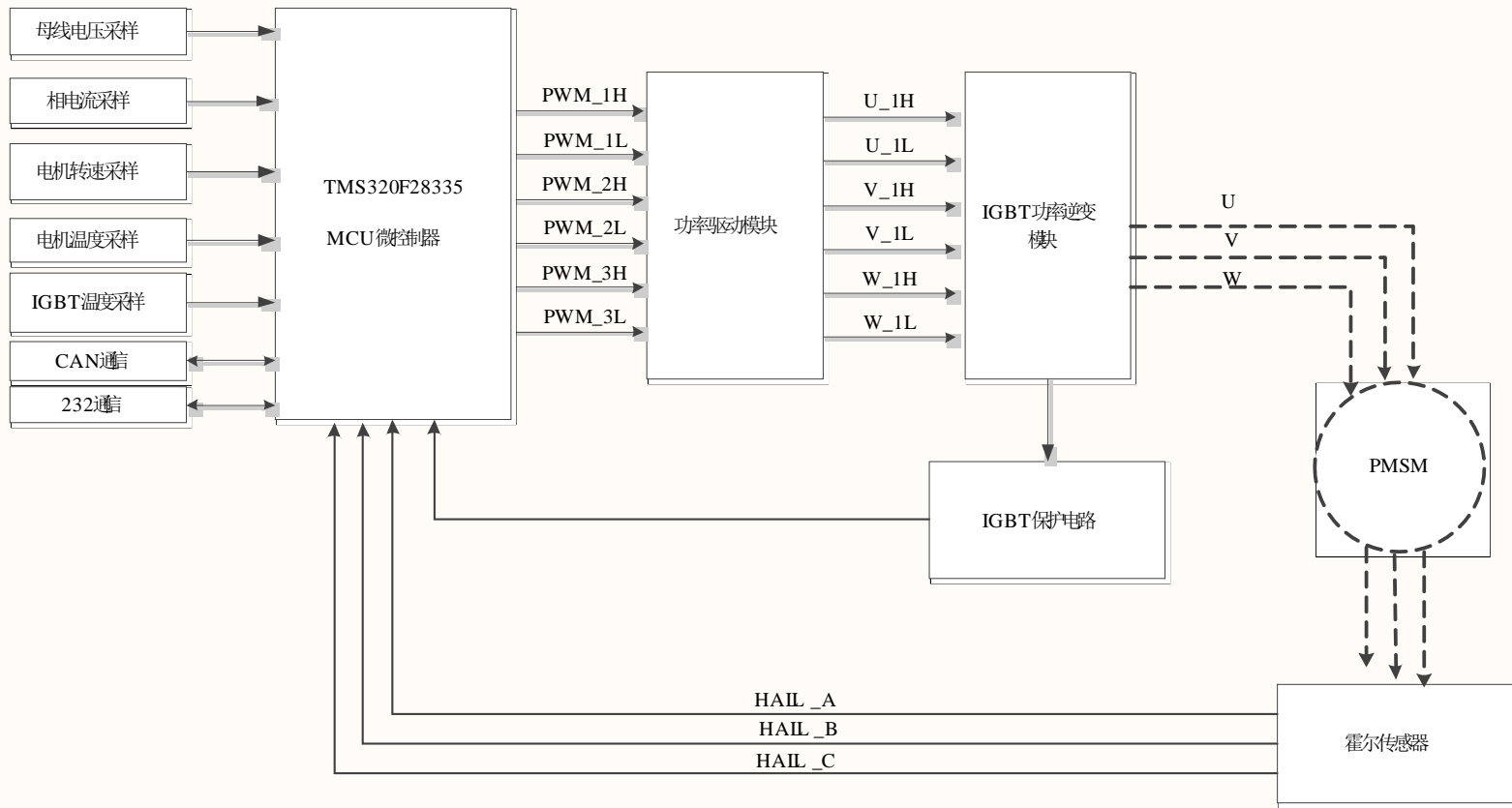
1	SCH01_TITLE
2	01_BLOCK_Digram
3	02_POWER_BLOCK_Digram
4	03_DSP_Digram
5	04_POWER_Digram
6	05_CAN&RS232_Digram
7	06_IGBT_DRIVE_Digram
8	07_Volatge_SAMP_Digram
9	08_DC_BUS&Pump_SAMP
10	09_SPEED&CURRENT_SAMP

# 油泵压力检测



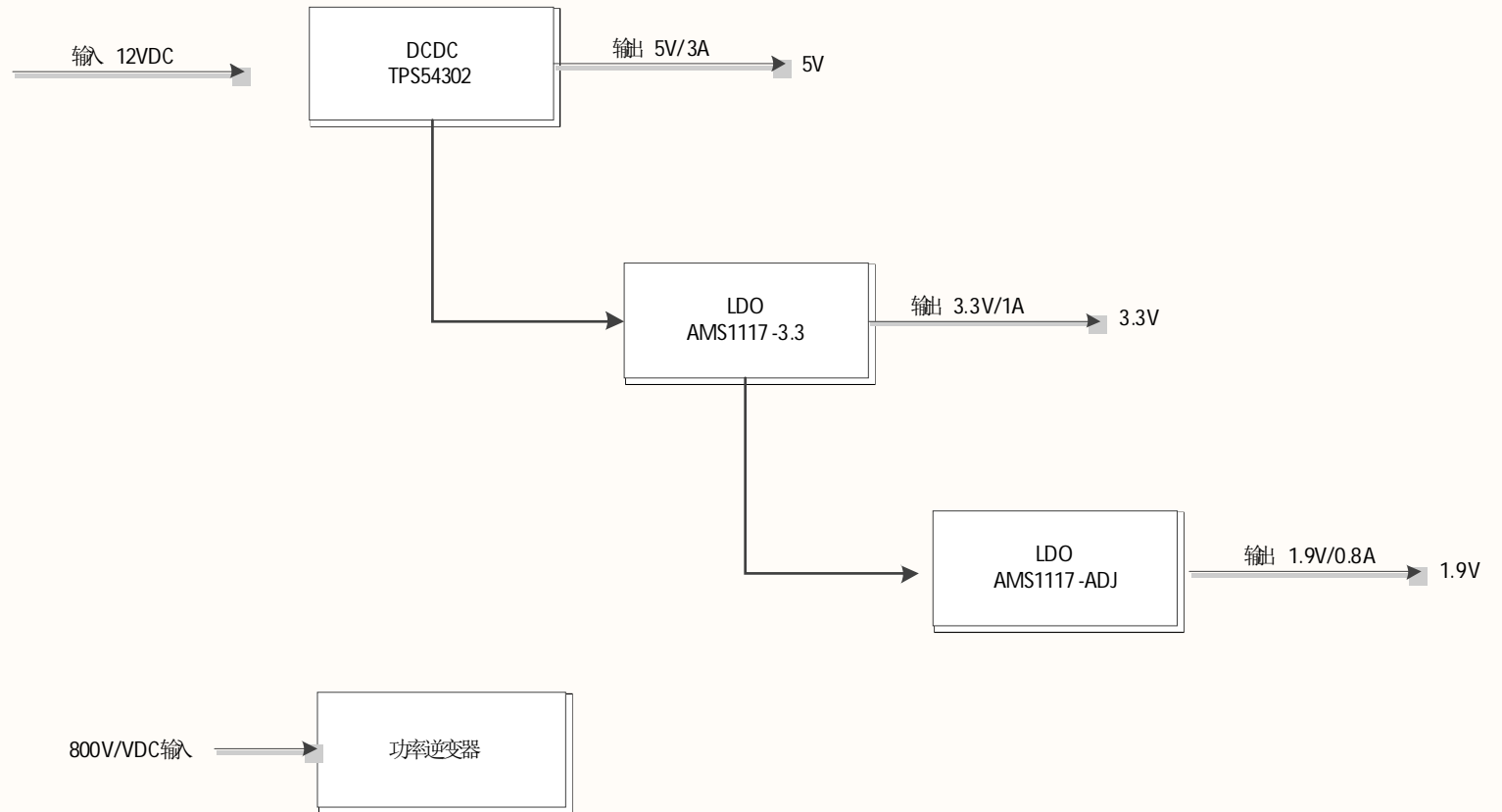
Title		
Size	Number	Revision
A4		
Date:	2023/3/16	Sheet of
File:	D:\威孚长城硬件\..006 PROTECT_SchDocn By:	

# BLOCK Diagram



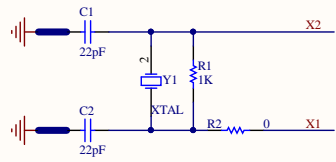
Title		
Size	Number	Revision
A4		
Date:	2023/3/16	Sheet of
File:	D:\威孚长城硬件\..01_Block_Diagram.DchDnBy:	

# POWER\_BLOCK Diagram

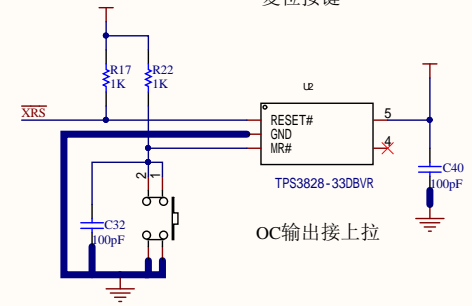


Title		
Size	Number	Revision
A4		
Date:	2023/3/16	Sheet of
File:	D:\威孚长城硬件\..02_Power_Block_Diagram.BspDoc	

### 晶振

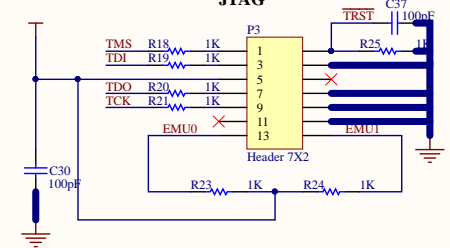


### 复位按键

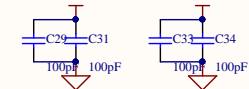
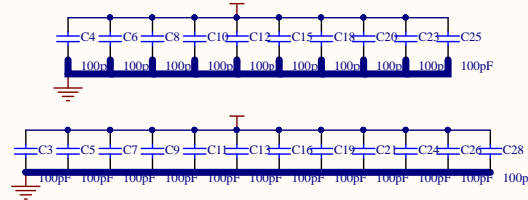
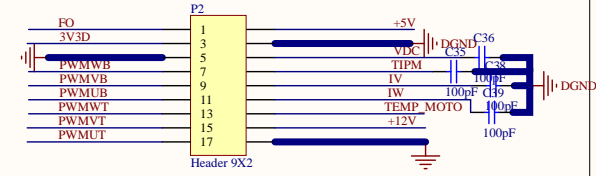
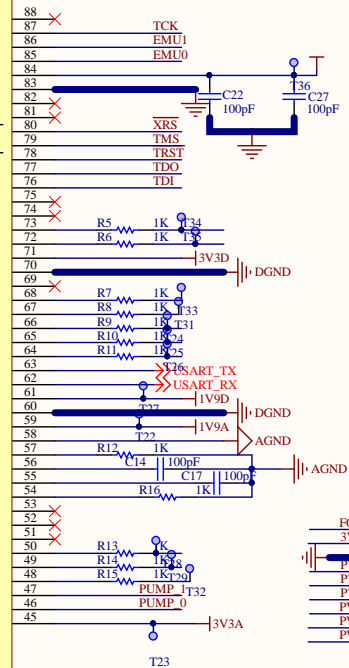
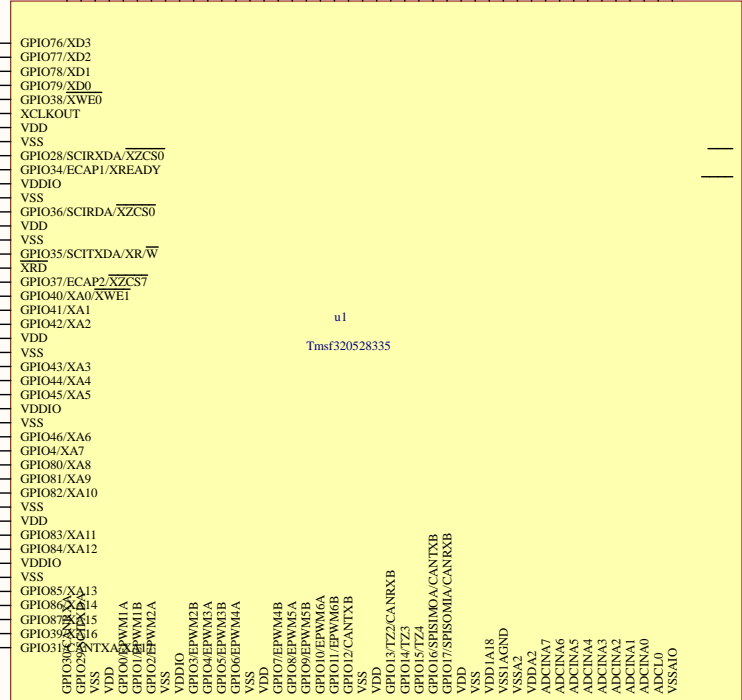
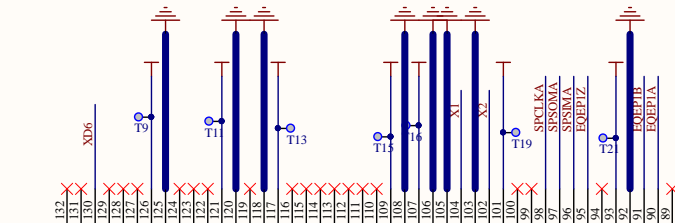
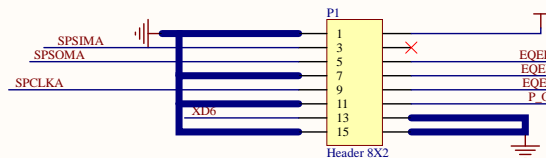


OC输出接上拉

### JTAG

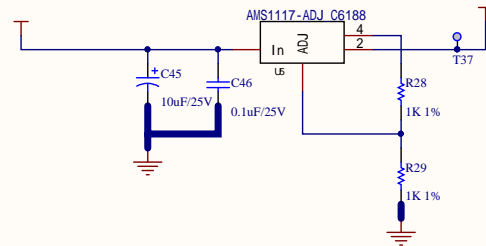
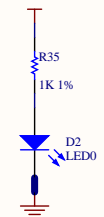
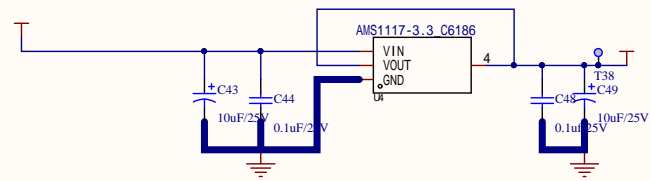
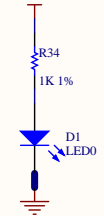
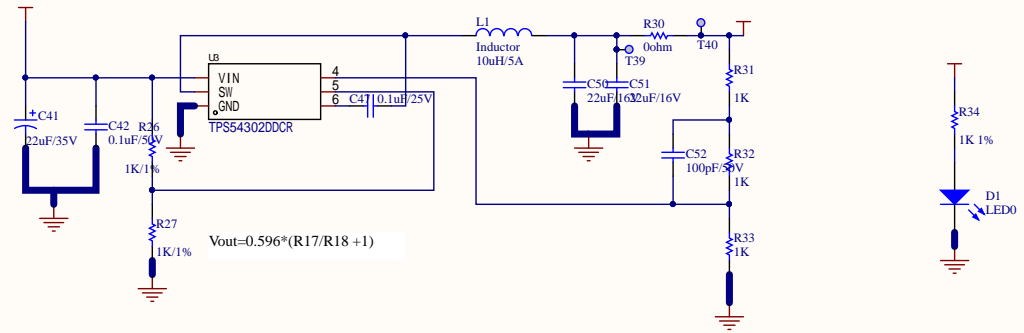


### 磁编码器采样



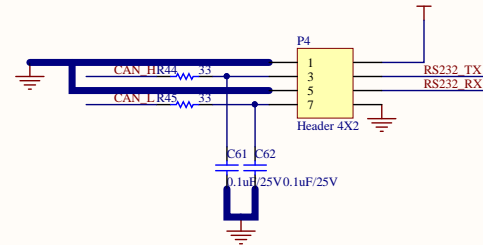
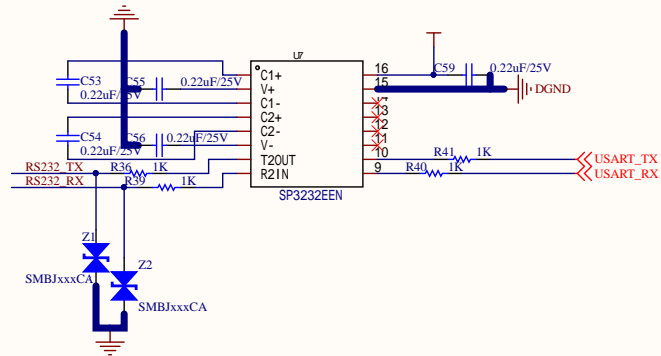
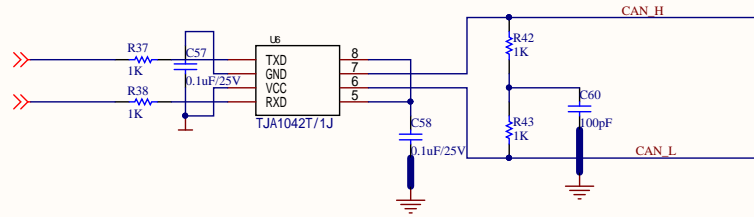
Title		
Size	Number	Revision
A3		
Date:	2023/3/16	Sheet of
File:	D:\磁字长城硬件\03 CPU.SchDoc	Drawn By:

# POWER



Title		
Size A3	Number	Revision
Date: 2023/3/16	Sheet of	
File: D:\数字长城硬件\04 POWER_SchDoc\Drawn By:		

# CAN&RS232



Title		
Size	Number	Revision
A3		
Date:	2023/3/16	Sheet of
File:	D:\数字长城硬件\05 CAN&RS232.Sch	Drawn By:





