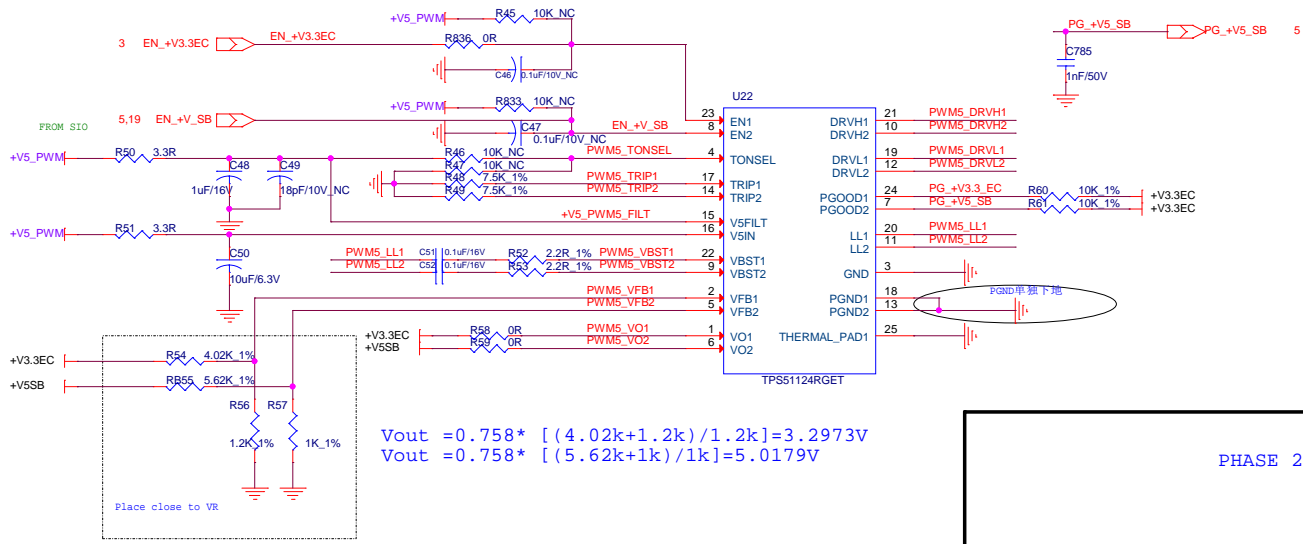


TI Application note for TPS51124 - Powergood glitch
 Cpg(uF) = 10.7/Rpg = 10.7/10K = 1nF

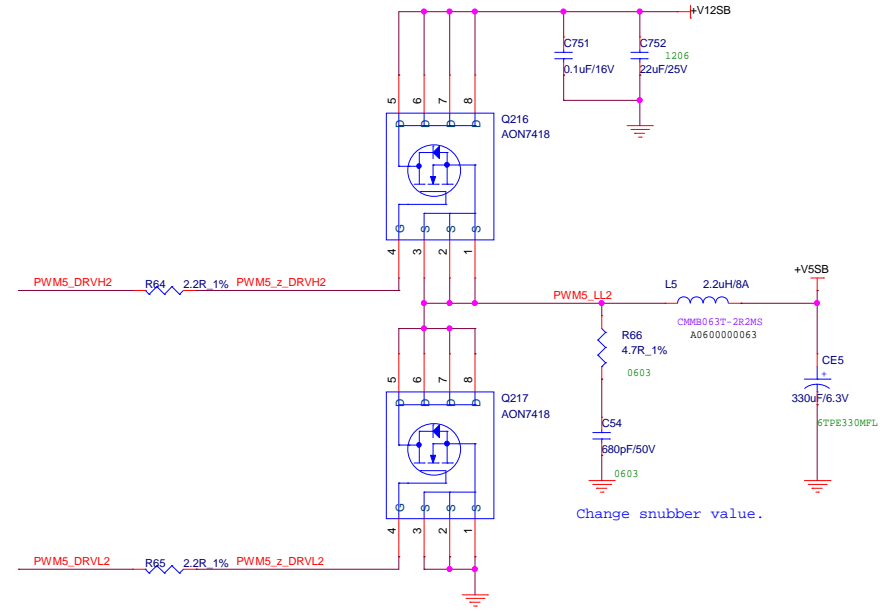


$$V_{out} = 0.758 * [(4.02k + 1.2k) / 1.2k] = 3.2973V$$

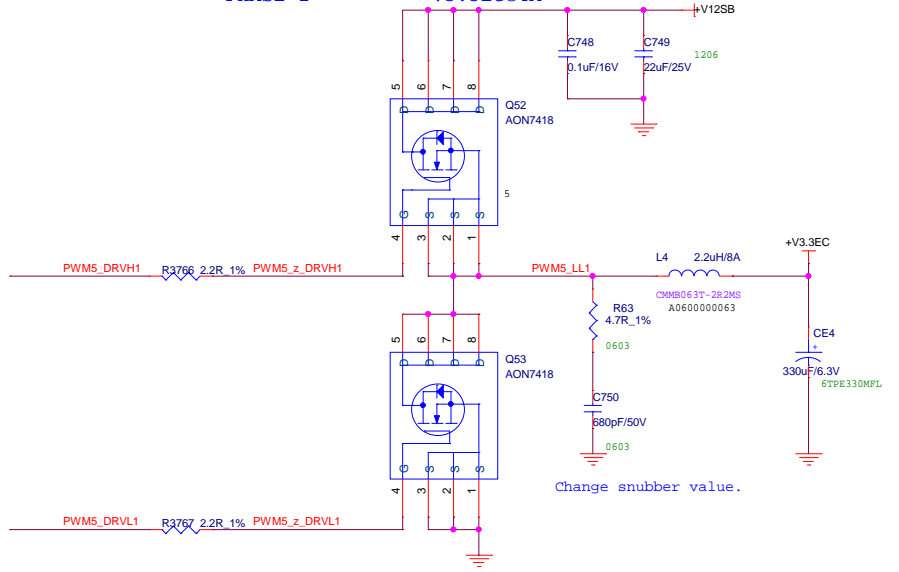
$$V_{out} = 0.758 * [(5.62k + 1k) / 1k] = 5.0179V$$

Place close to VR

PHASE 2----->+V5SB@6A



PHASE 1----->+V3.3EC@4A



Intel Confidential

Title		+V5SB&+V3.3EC	
Size	Document Number	PhoenixHillTypeACMK92619	Rev
A3			A1.0
Date:	Wednesday, April 29, 2020	Sheet	4 of 30