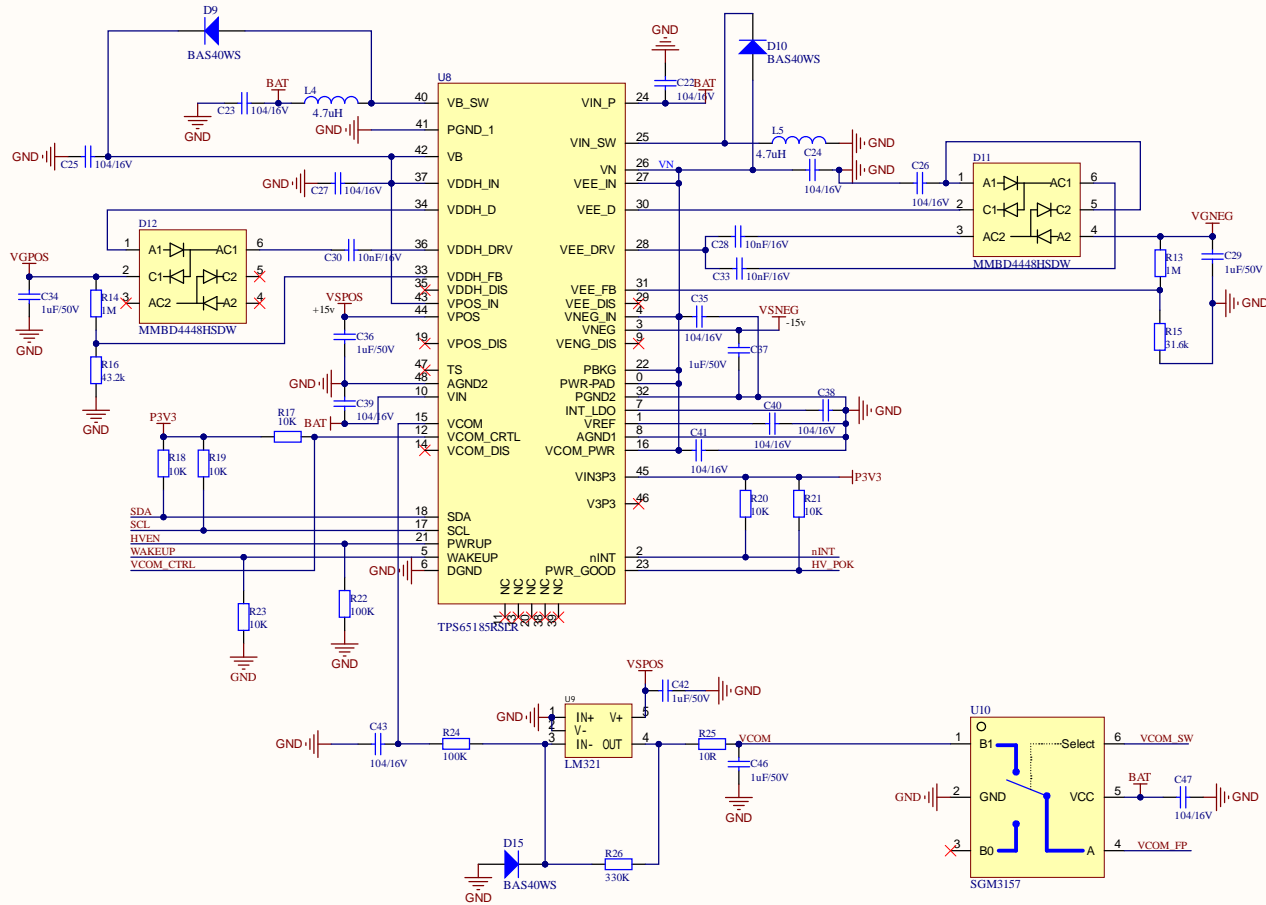
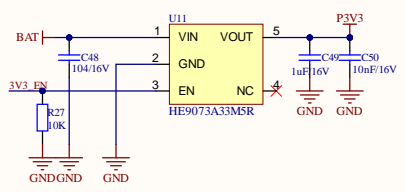


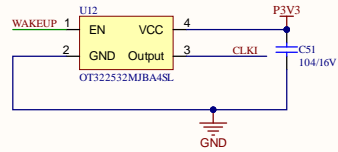
PMIC



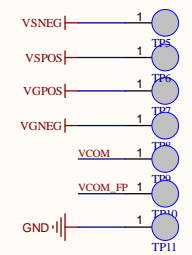
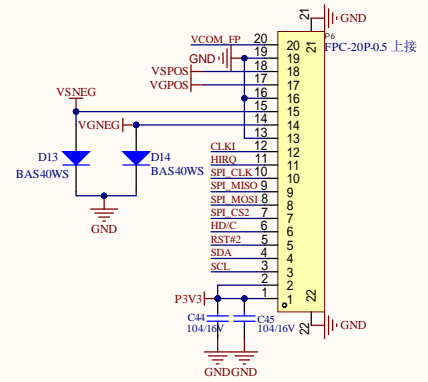
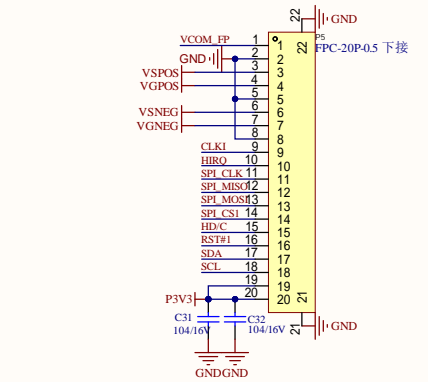
电源




时钟



4寸墨水屏



Company Name: 郑州博观电子科技有限公司		
Project Name: 199-墨水屏V1.0.PrjPcb		
Documend Name: 3-PMIC.SchDoc	Designer: 李玉耀	
Size: A3	Sheet Total: 4	Revision: V1.0
Date: 2023.01.29	Time: 上午 11:05:48	Sheet 3 of 4
Confirming Person: *		