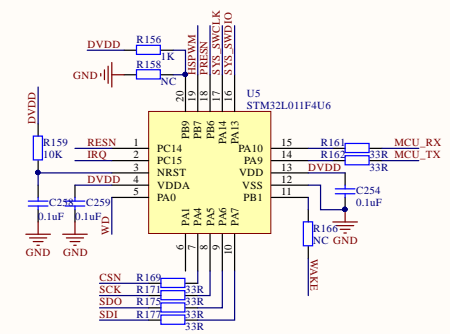
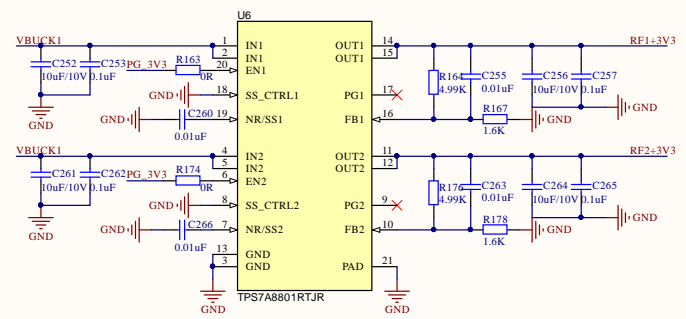
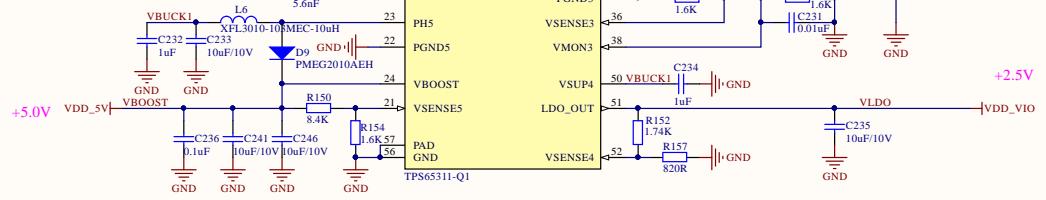
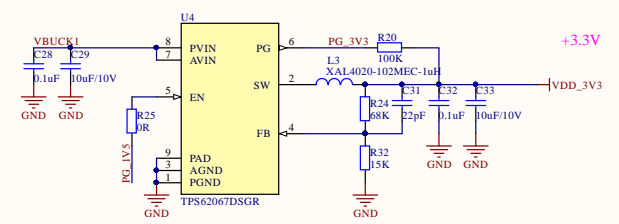
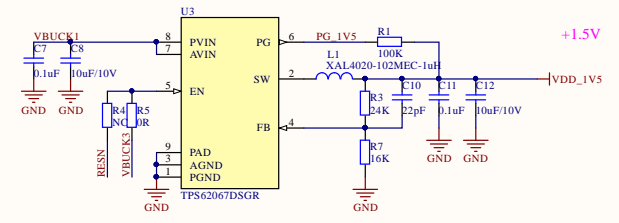
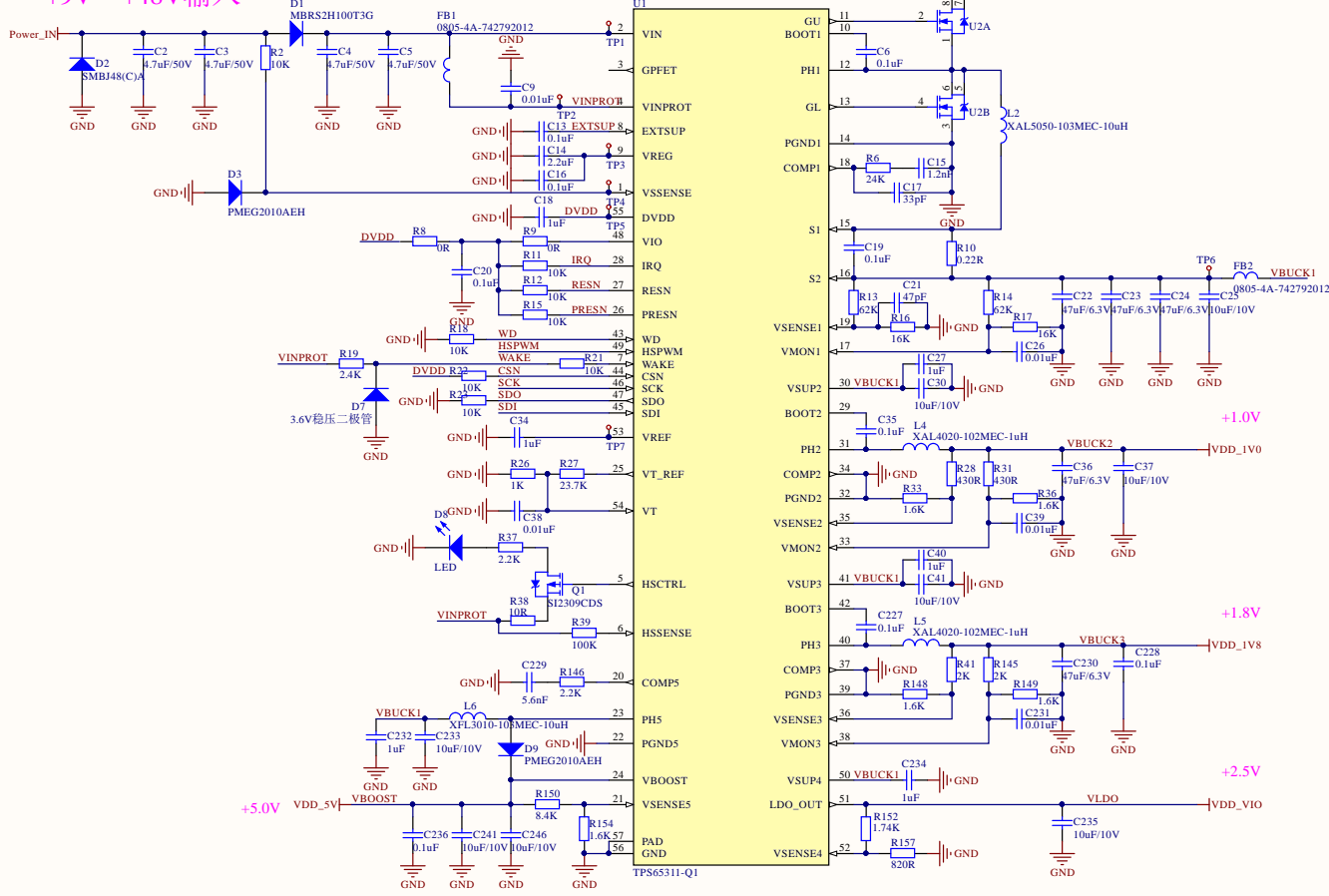
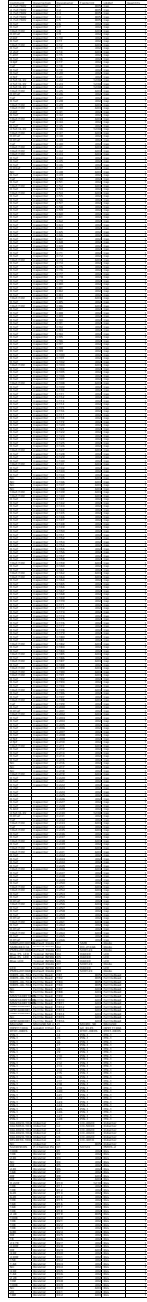


+9V~+48V输入



上电顺序:1.0V → 1.8V → 1.5V → 3.3V/2.5V

Title		
Size	Number	Revision
A2		
Date:	2019/6/22	Sheet of
File:	E:\Project\1_Power.sch	Drawn By:



The image shows a vertical rectangular area filled with a dense grid of horizontal and vertical lines. This pattern is characteristic of a barcode or a highly compressed data table. The lines are thin and closely spaced, creating a complex, repetitive visual structure. The overall appearance is that of a vertical strip of data or a highly detailed barcode.