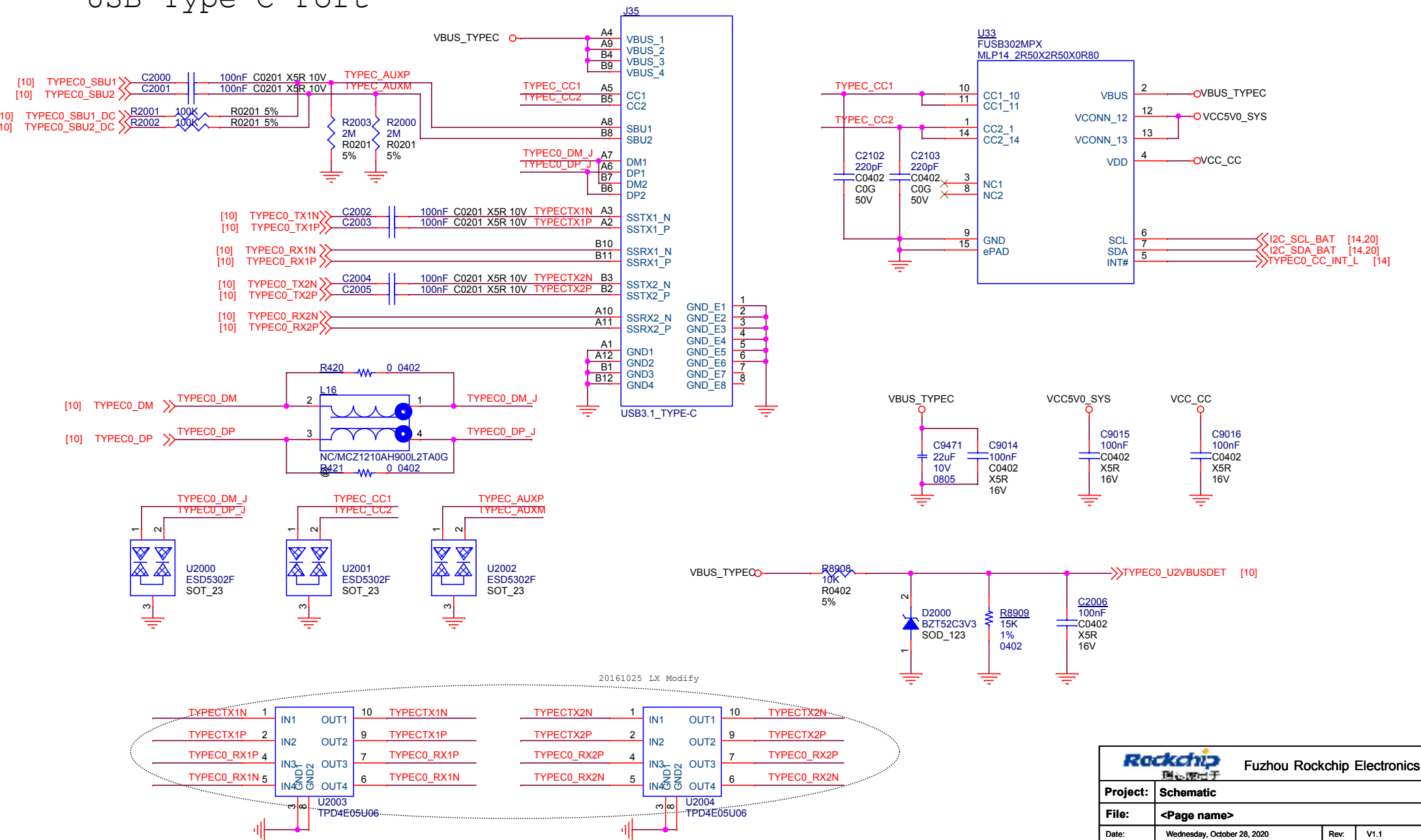


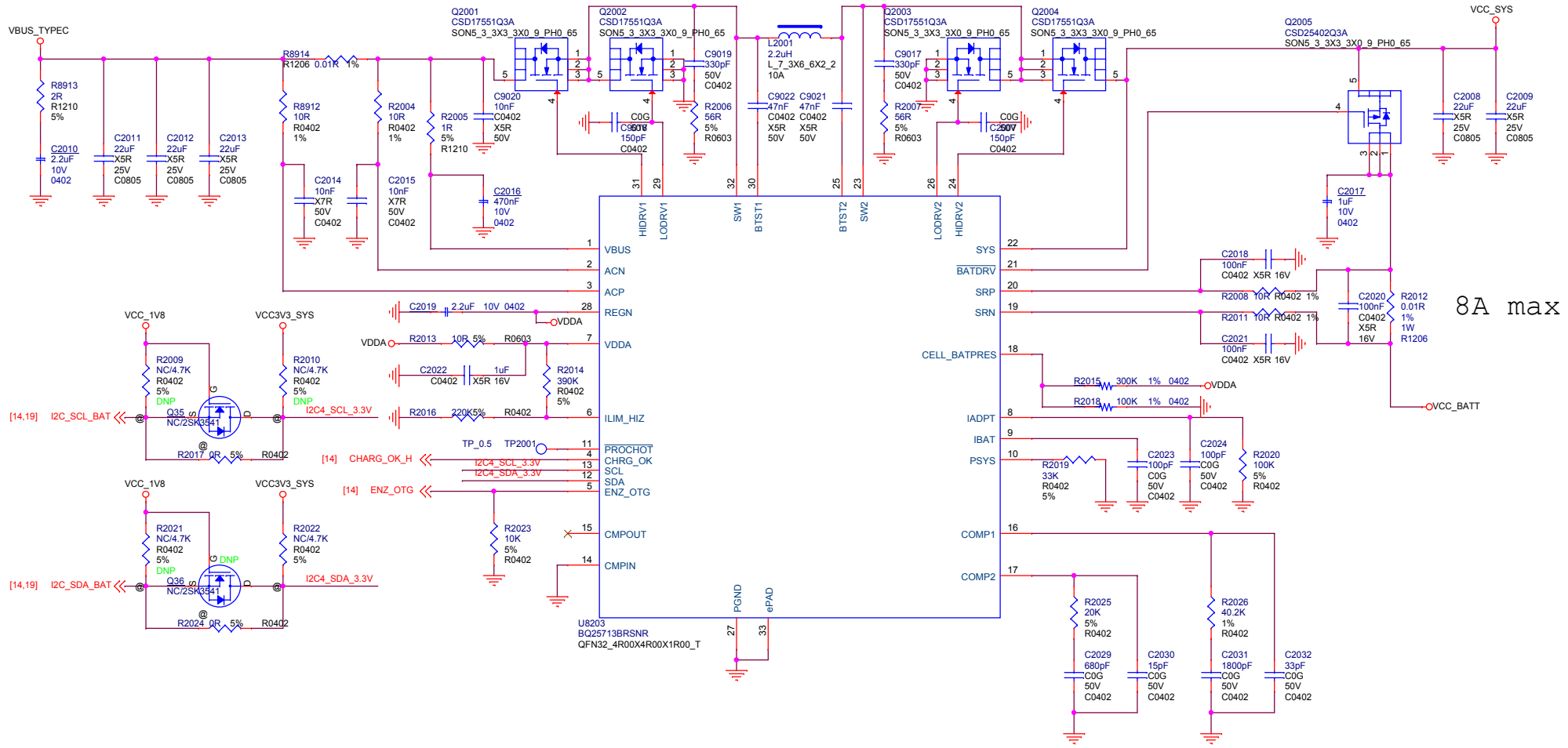
USB Type-C Port



20161025 LX Modify

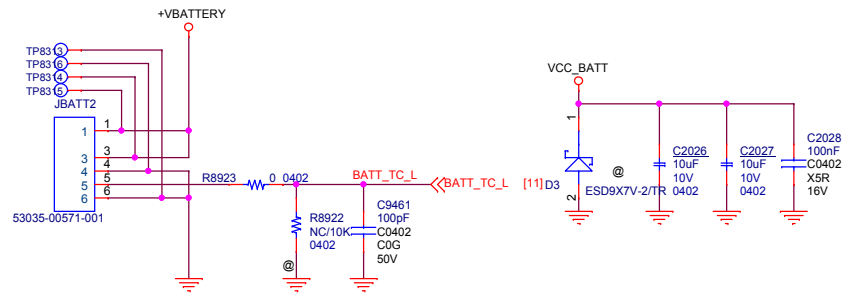
Rockchip 福州岩芯电子		Fuzhou Rockchip Electronics	
Project:	Schematic		
File:	<Page name>		
Date:	Wednesday, October 28, 2020	Rev:	V1.1
Designed by:	Linus	Sheet:	19 of 38

USB Type-C pd/cc



Battery

1S5P 18650 Li Battery
4.2V



Fuel Gauge

