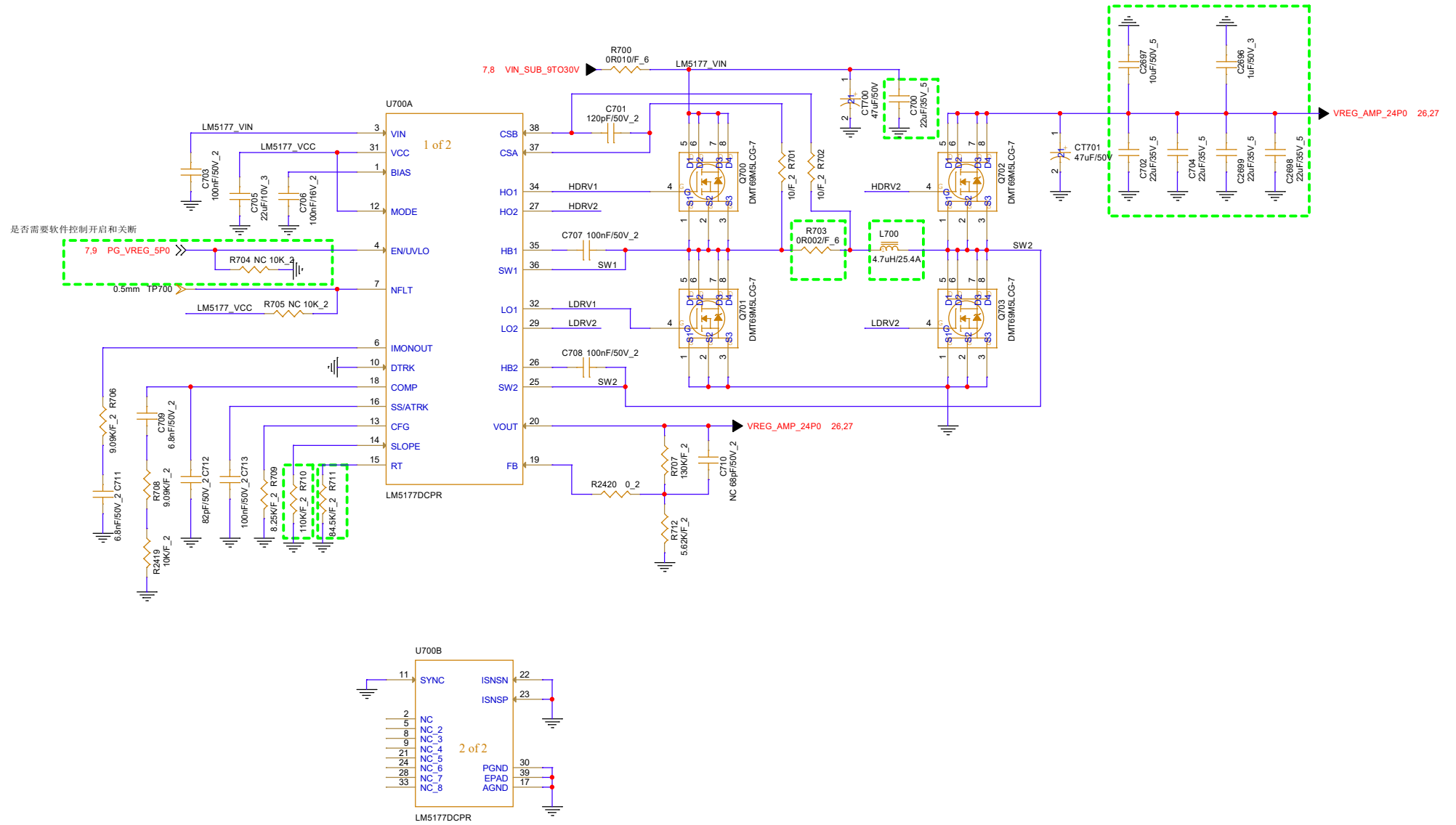
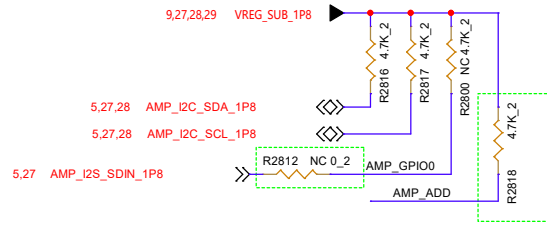
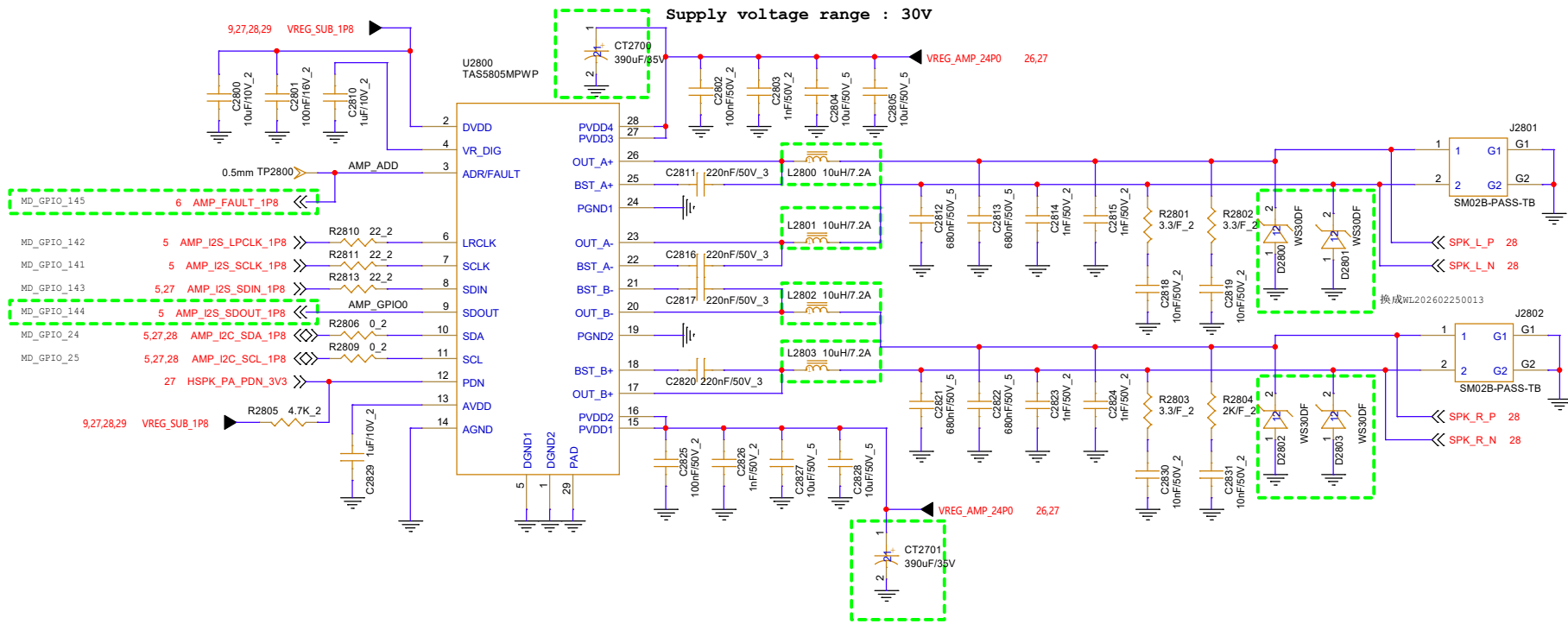


Audio AMP 24V Power

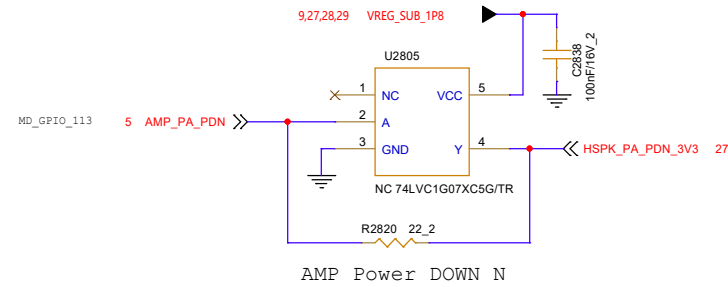


		Designer	Caojingwei
		Approve	0
Title Rob_Earth IO Board			
Size	Document Number	Rev	
A3	26.AMP Power 18V	V01	
Date:	Monday, March 09, 2026	Sheet	26 of 36

Audio AMP



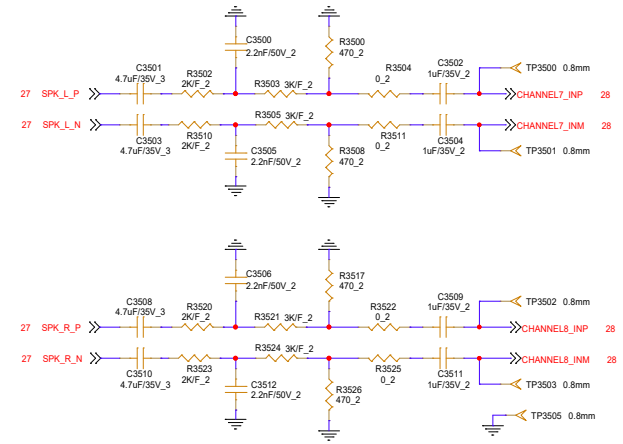
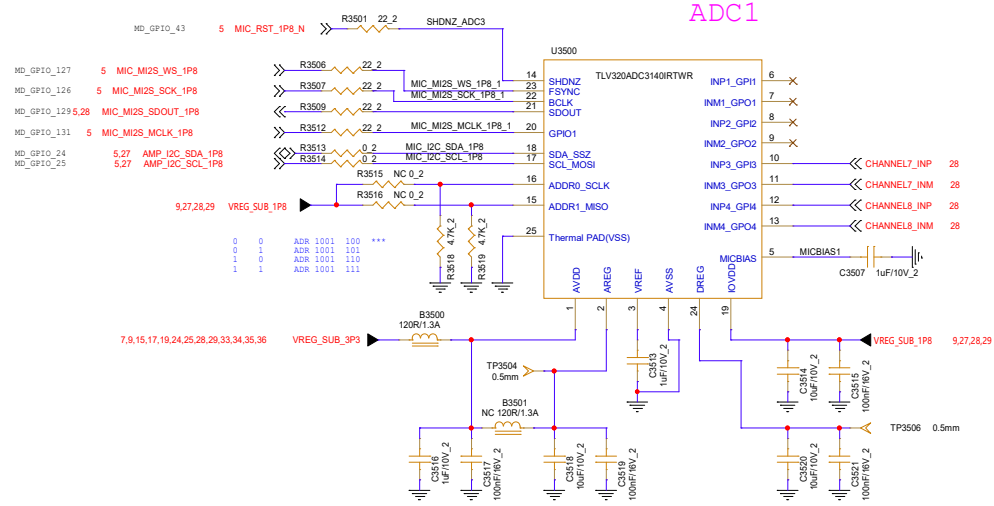
I2C adr R1
 0x34 0ohm
 0x35 1k
 0x36 4.7k
 0x37 15k



SMT

 A IOT ENABLER		Designer	Caojingwei
		Approve	0
Title Rob_Earth IO Board			
Size A3	Document Number 27.Audio AMP	Rev V01	
Date: Wednesday, March 04, 2026		Sheet 27	of 36

HW-Play Back



Microphone

