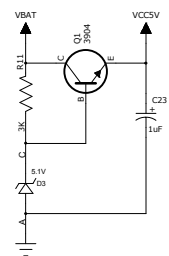
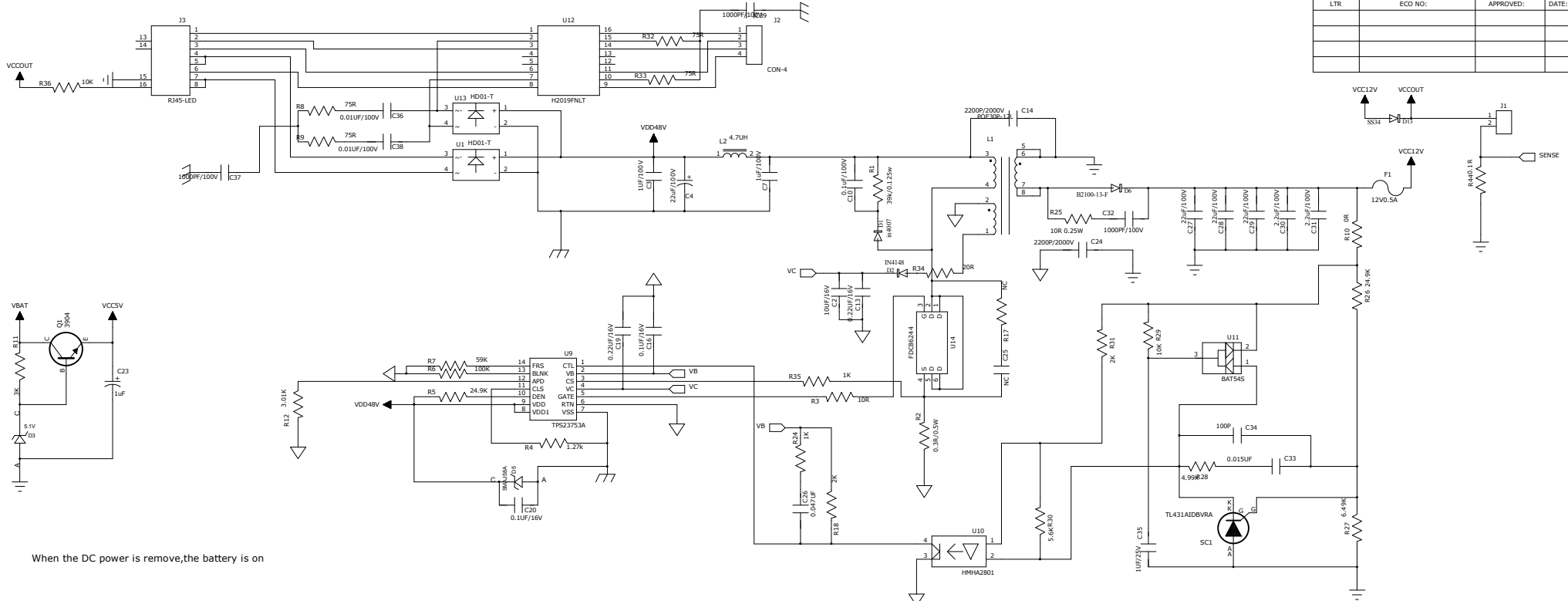
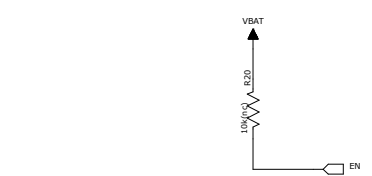
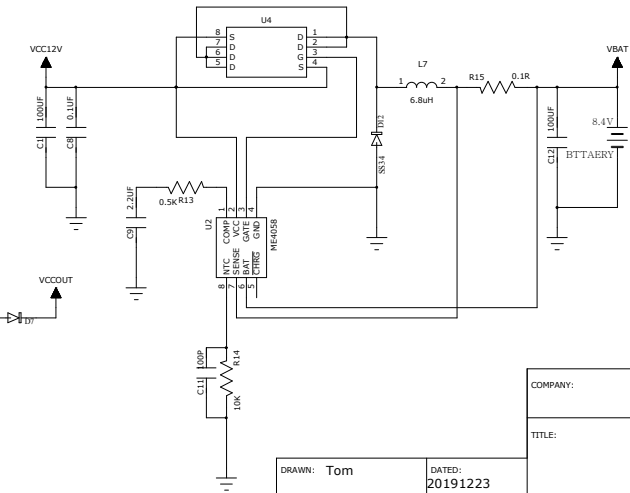
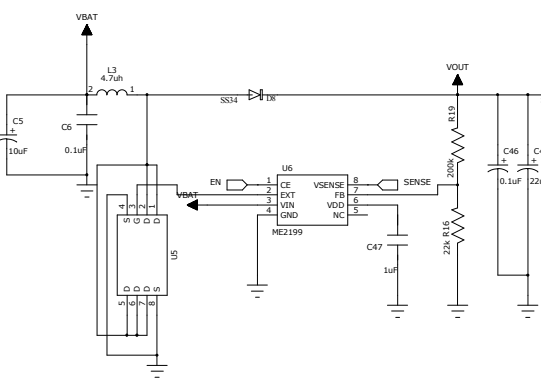
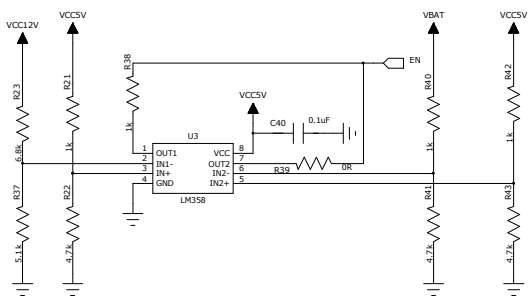


REVISION RECORD			
LTR	ECO NO:	APPROVED:	DATE:



When the DC power is remove,the battery is on



when the battery voltage is less than 4V, the power is turn off.

COMPANY:		JIN YANG			
TITLE:		POE POWER SUPPLIER			
DRAWN: Tom	DATED: 20191223	CODE:	SIZE:	DRAWING NO:	REV:
CHECKED: Xin Wan	DATED: 20191223	A2		20191223	01
QUALITY CONTROL:	DATED:	SCALE:		SHEET: 1 of 1	
RELEASED:	DATED:				