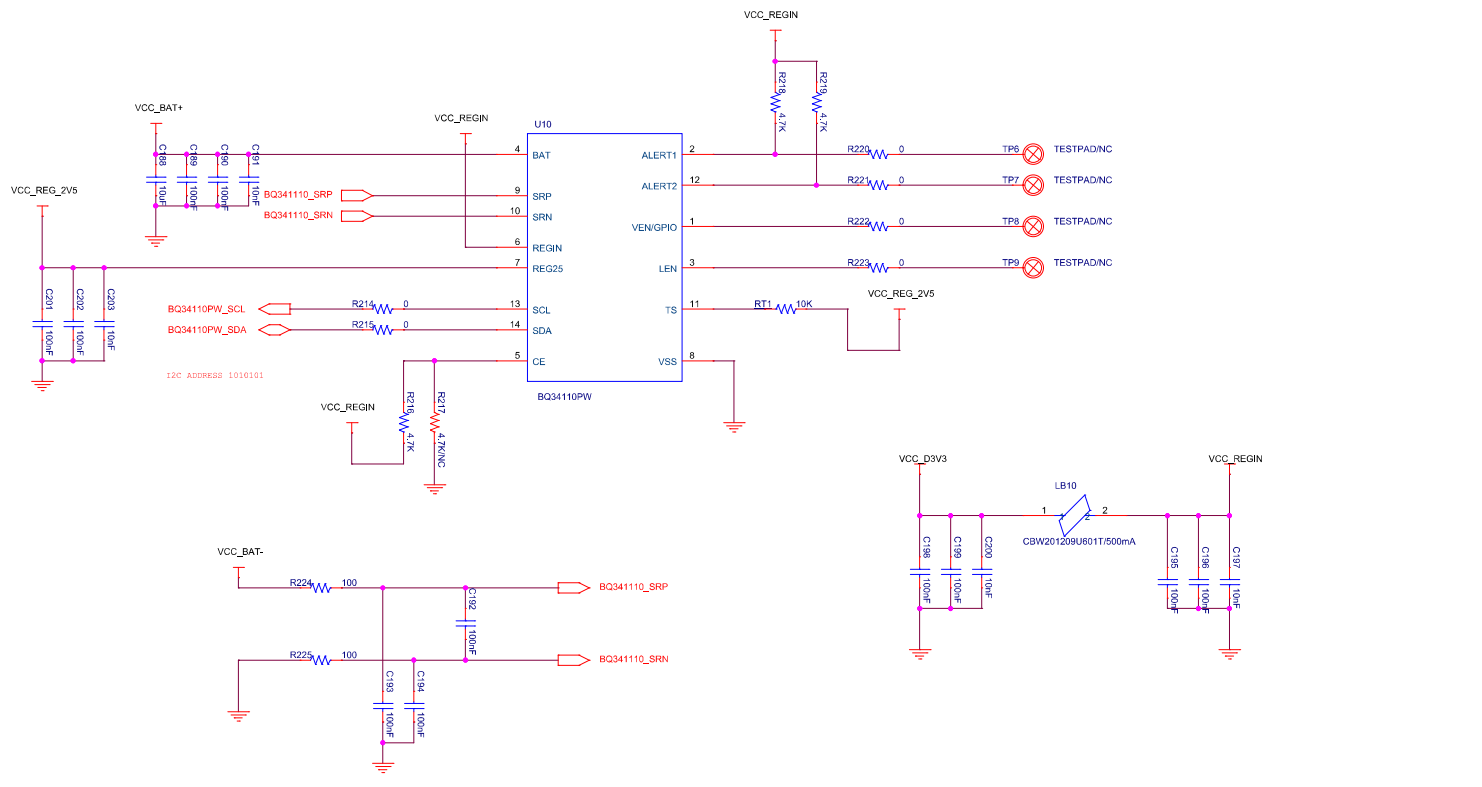


Title	<Title>
Size	Document Number
B	<Doc>
Date:	Tuesday, November 28, 2019
Sheet	1 of 1
Rev	<Rev Code>



Title	<Title>	Rev	<Rev Code>
Size	Document Number		
B	<Doc>		
Date:	Tuesday, November 28, 2016	Sheet	1 of 1