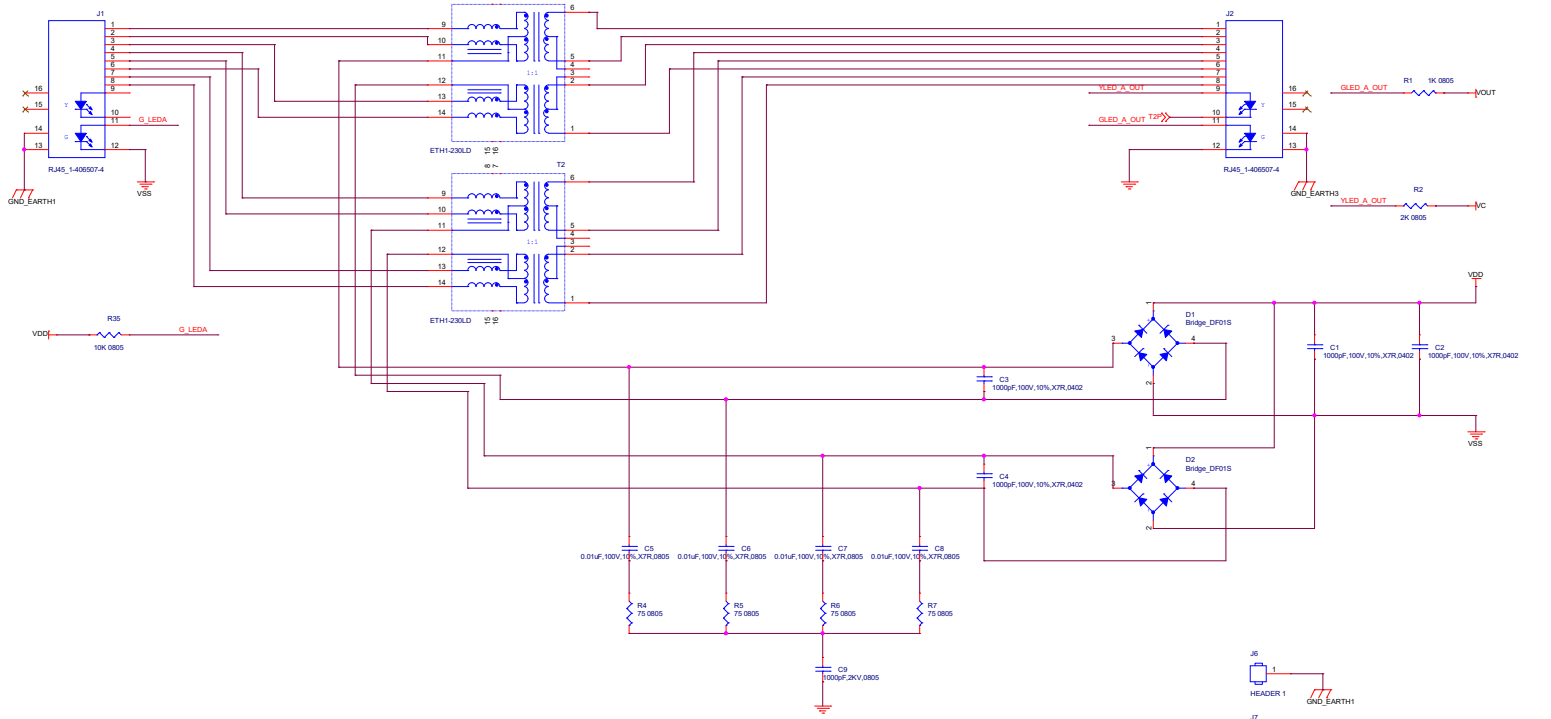
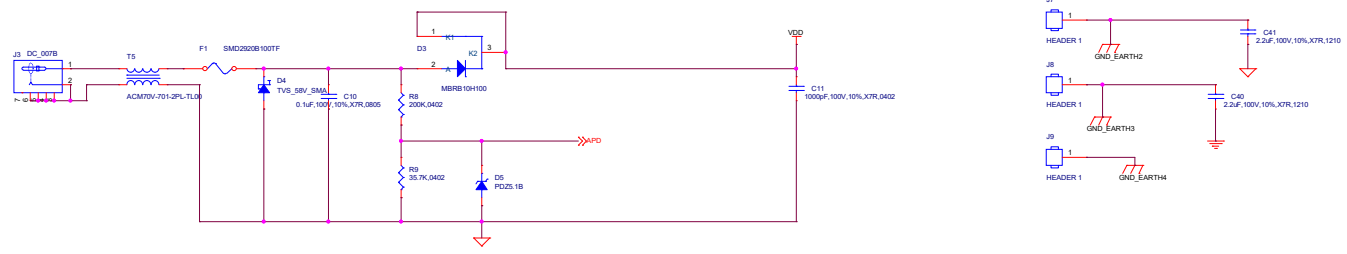


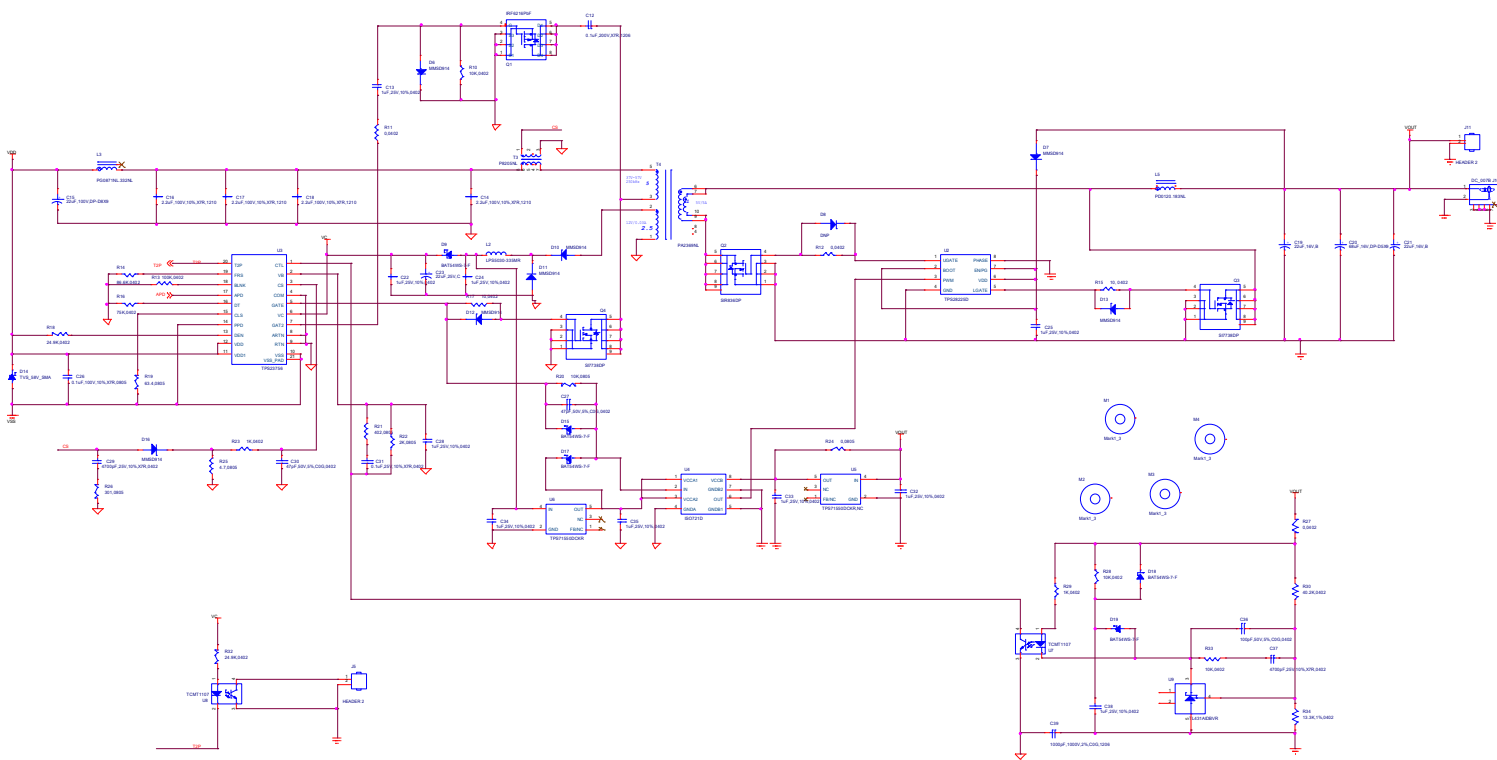
42-57V



10.5-57V



File	<Title>	Rev
Size	Document Number	
C	<Doc>	
Date	Wednesday, September 18, 2019	Sheet 1 of 2



Legend	
1	Power Supply
2	Control Circuit
3	Output Stage