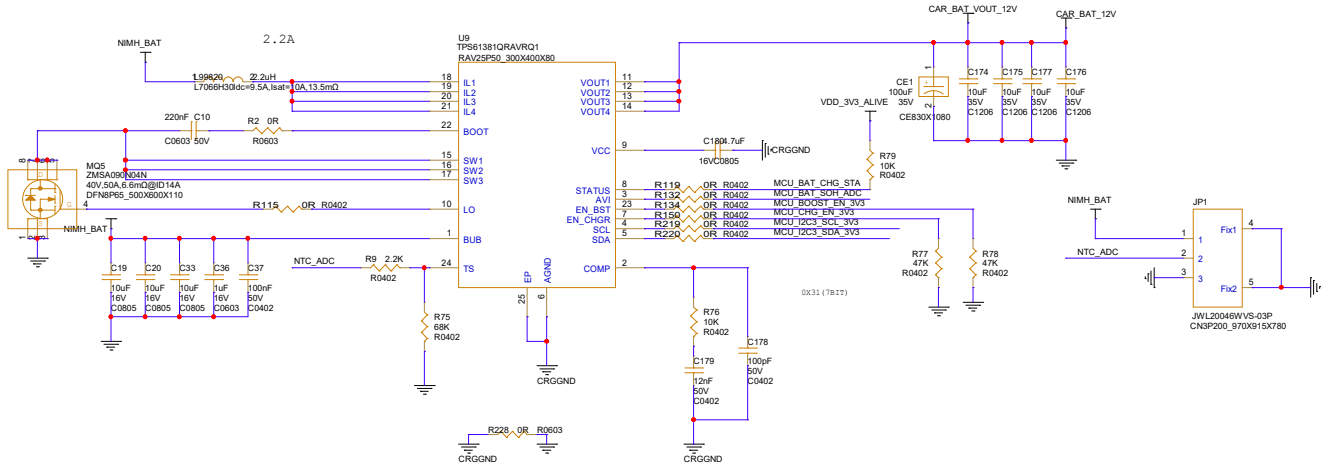


- MCU_I2C3_SCL_3V3 <<<>>> TP-0_6MM_B TP3
- MCU_I2C3_SDA_3V3 <<<>>> TP-0_6MM_B TP9
- MCU_CHG_EN_3V3 >>> TP-0_6MM_B TP26
- MCU_BAT_SCH_ADC <<<>> TP-0_6MM_B TP27
- MCU_BAT_CHG_STA <<<>> TP-0_6MM_B TP213
- MCU_BOOST_EN_3V3 <<<>> TP-0_6MM_B TP228



Title		04 BAT Charge	
Size	Document Number		
Custom	Doc#		
Date:	Friday, June 12, 2026	Sheet	4 of 39

Rev <Rev Code>