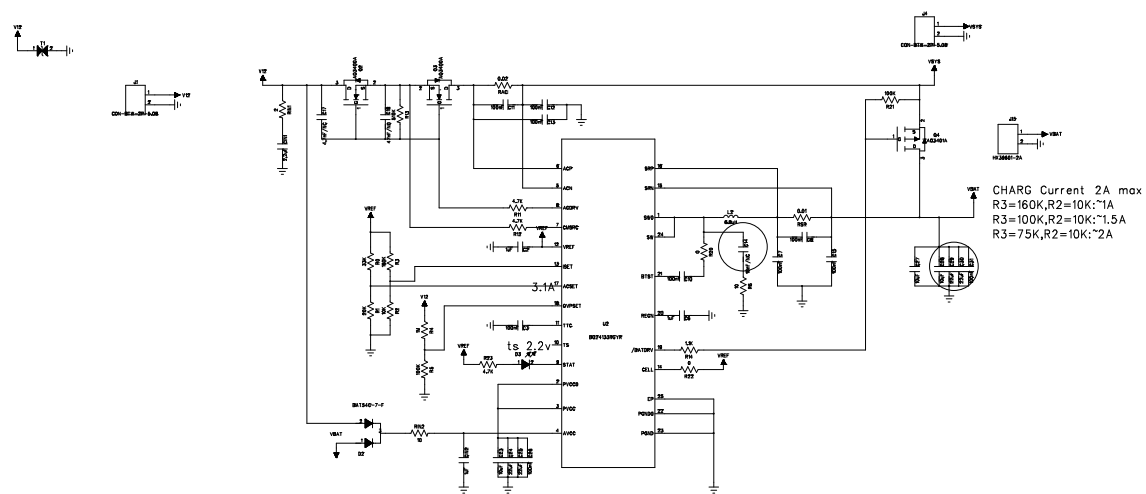


REVISION RECORD			
LTB	REV. NO.	APPROVED	DATE



CHARG Current 2A max  
 R3=160K,R2=10K:1A  
 R3=100K,R2=10K:1.5A  
 R3=75K,R2=10K:2A

DRAWN: LIUSS		DATE: 2018-11-20		COMPANY: ZZHB	
CHECKED:		DATE:		FIELD: VOC_MB_V1.0	
QUALITY CONTROL:		DATE:		CODE: A0	SIZE: DRAWING NO. 20180824
RELEASED:		DATE:		SCALE:	REV: 1.0
SHEET: 1				OF: 2	