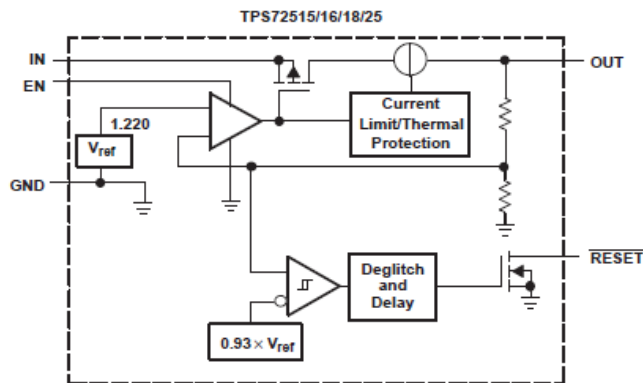
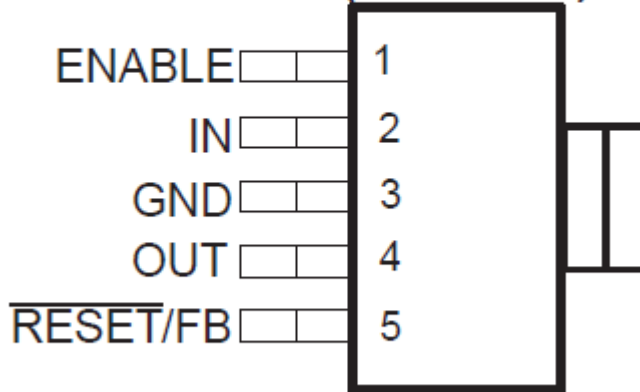




Datasheet:

## DCQ PACKAGE SOT223-5 (TOP VIEW)



### TERMINAL FUNCTIONS

TERMINAL		NO. D	NO. D CQ & KTT	I/O	DESCRIPTION
NAME					
ENABLE	5	1	I	Enable input	
FB	2			Feedback	
GND	3, 6, 7	3		Ground	
IN	8	2	I	Input supply voltage	
RESET/FB	—	5	O/I	This terminal is the feedback point for the adjustable option TPS72501. For all other options, this terminal is the RESET output terminal. When used with a pullup resistor, this open-drain output provides the active low RESET signal when the regulator output voltage drops more than 5% below its nominal output voltage. The RESET delay time is typically 50 ms.	
NC	4	—		No connection	
OUT	1	4	O	Regulated output voltage	