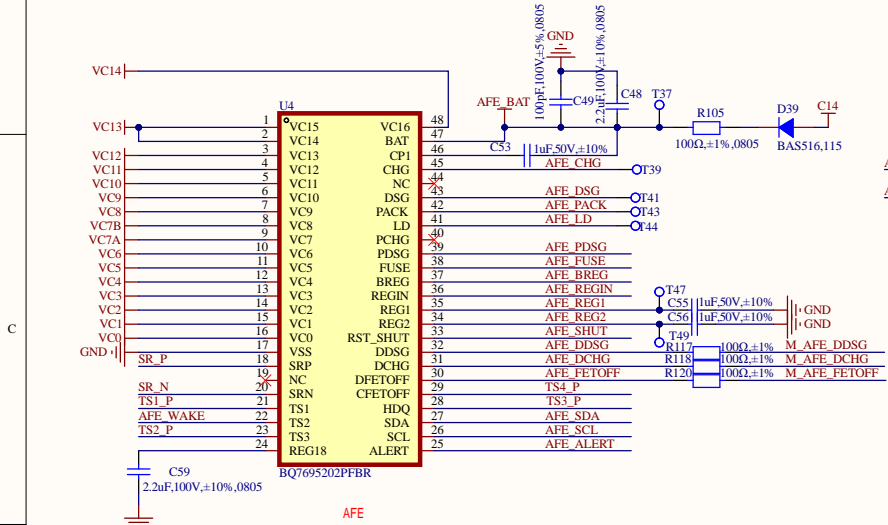
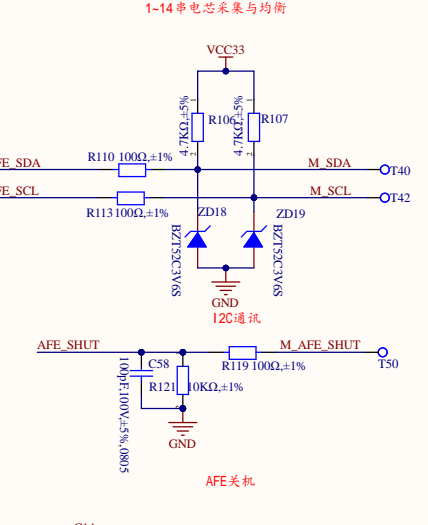


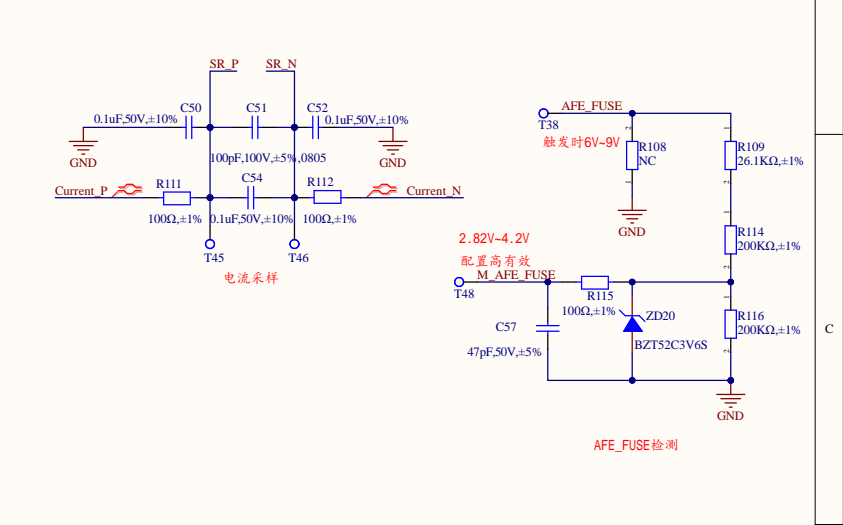
1-14 串电容采集与均衡



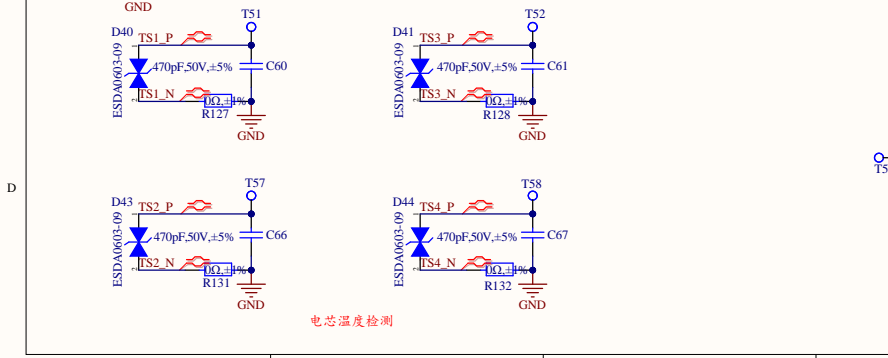
AFE



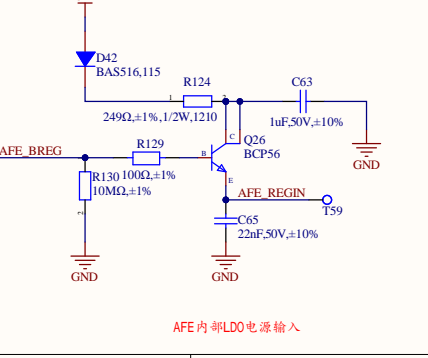
AFE 关机



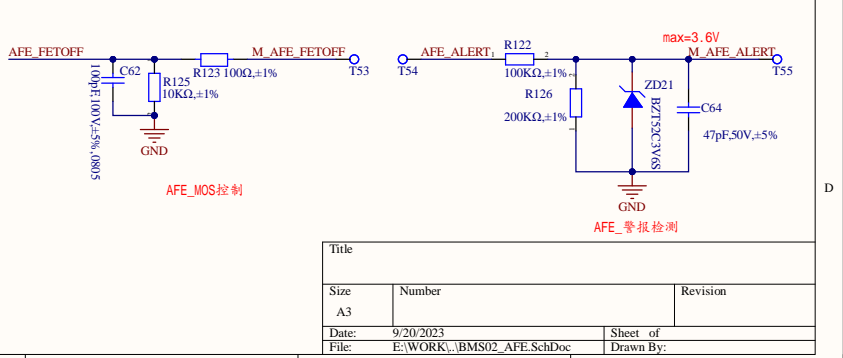
AFE_FUSE 检测



电容温度检测



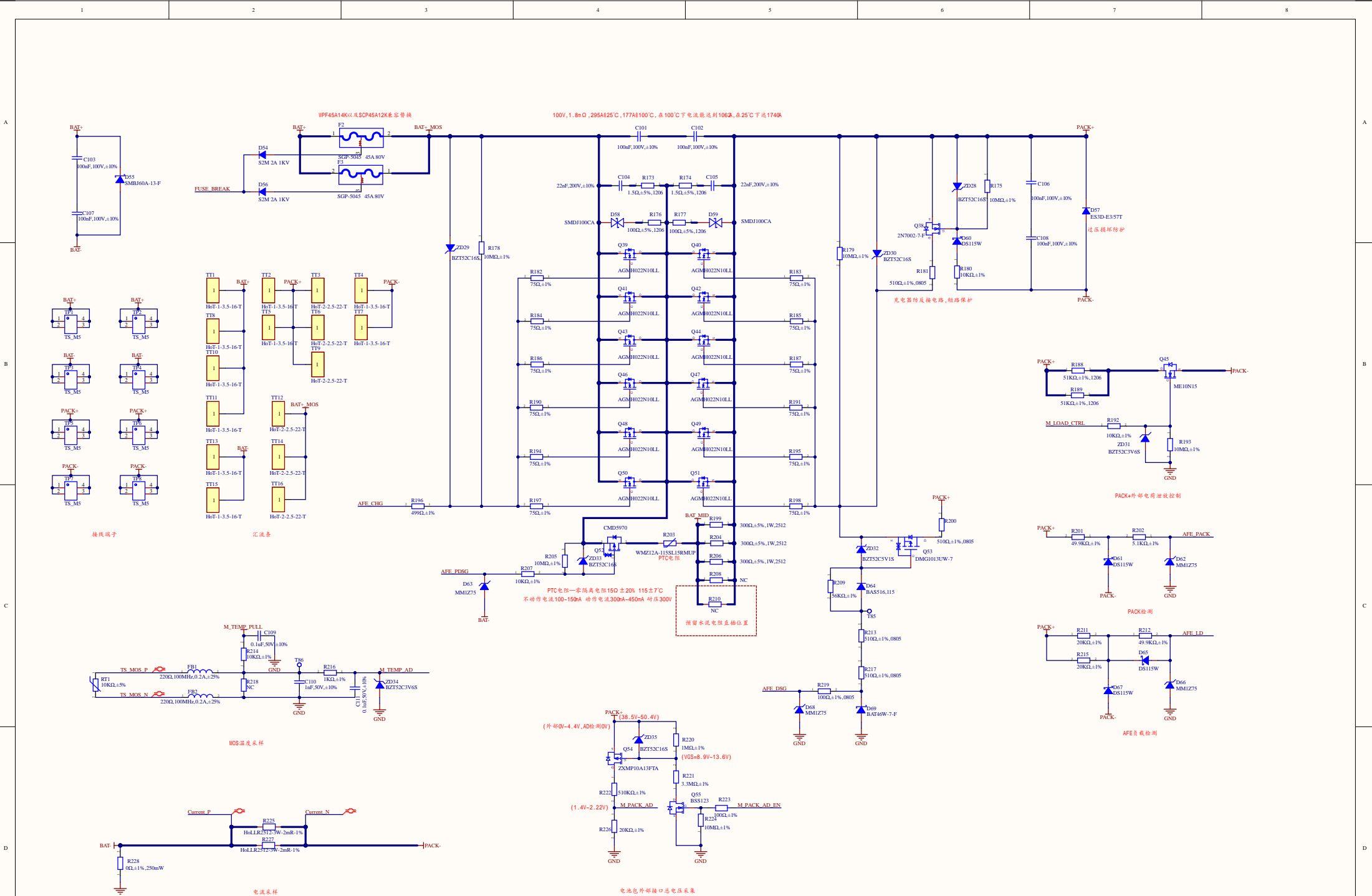
AFE 内部LDO电源输入



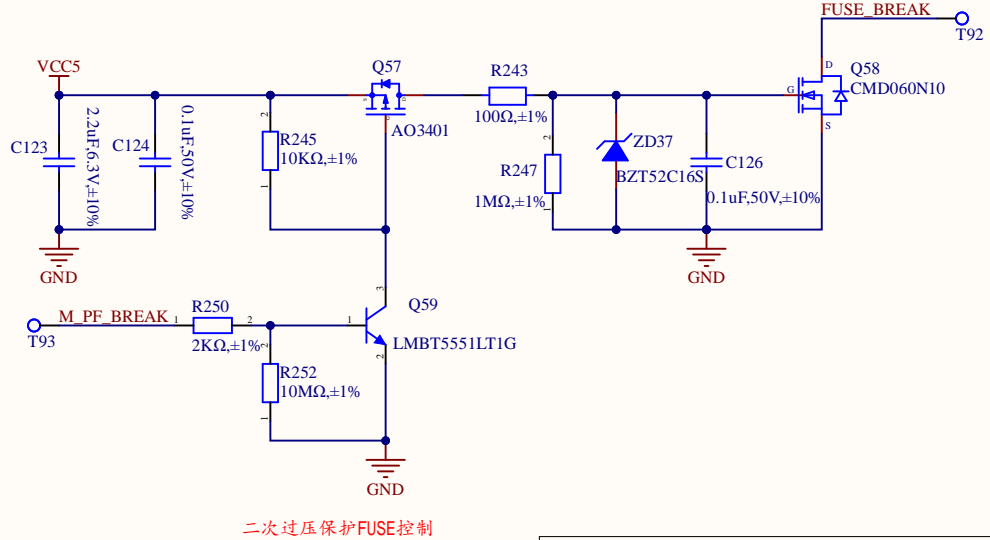
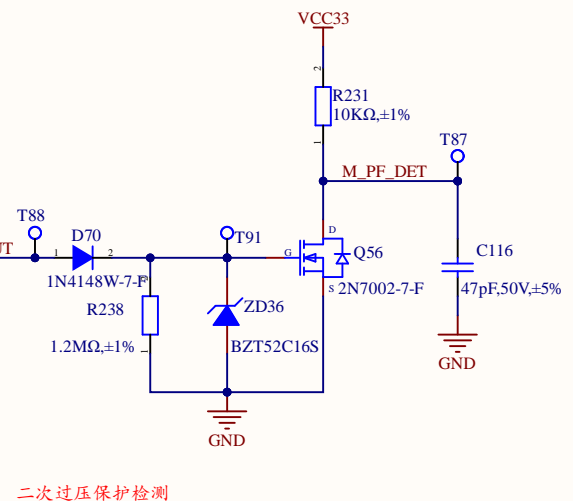
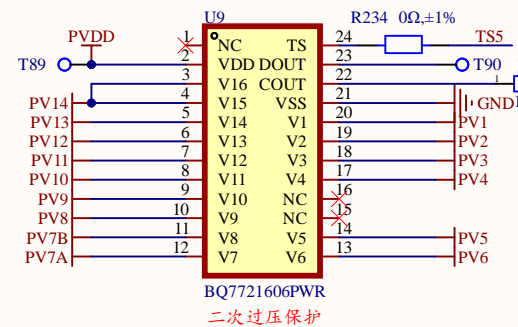
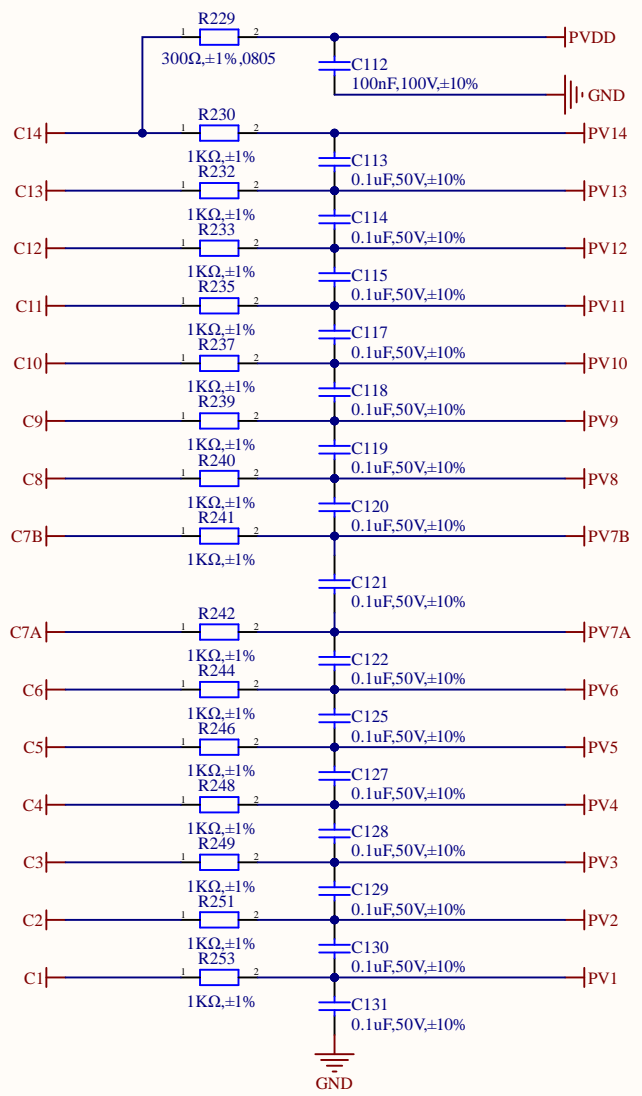
AFE_MOS控制

AFE_警报检测

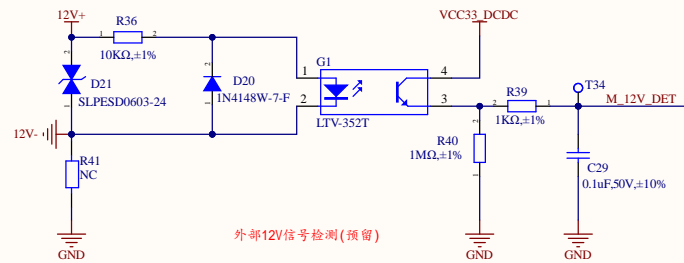
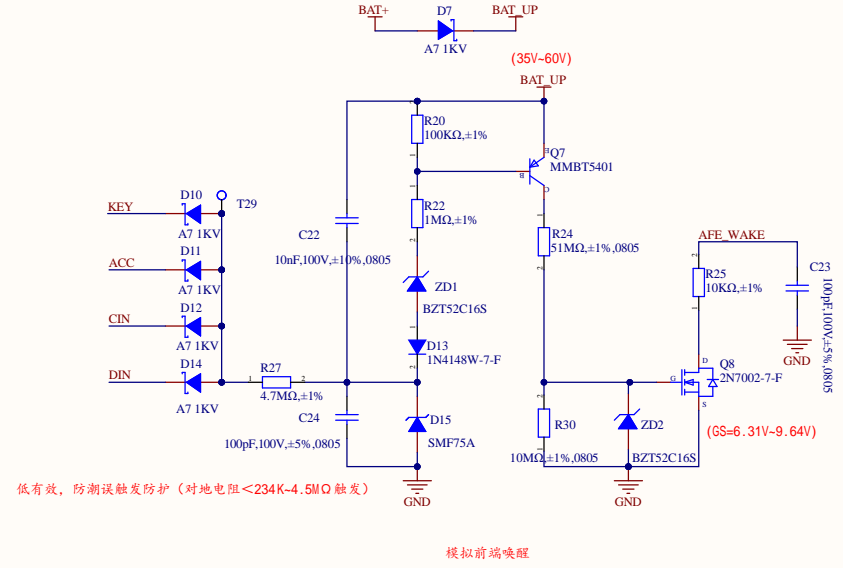
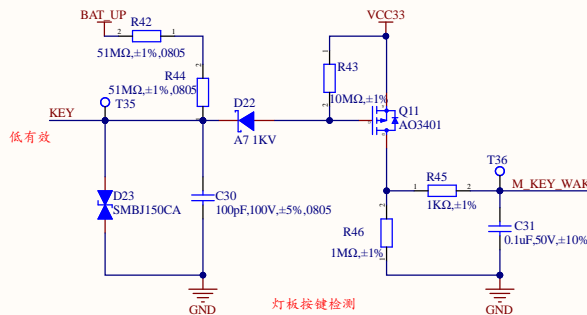
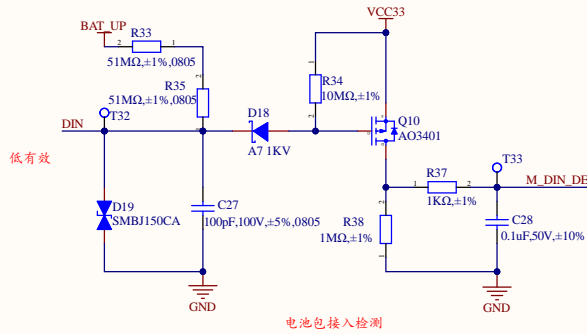
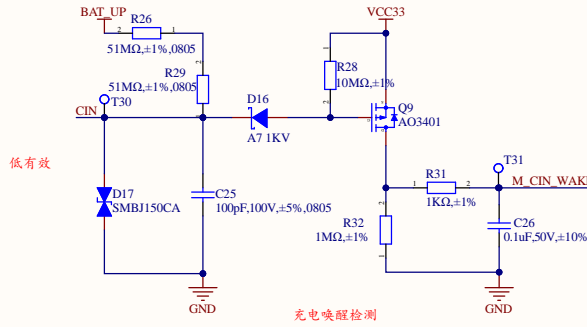
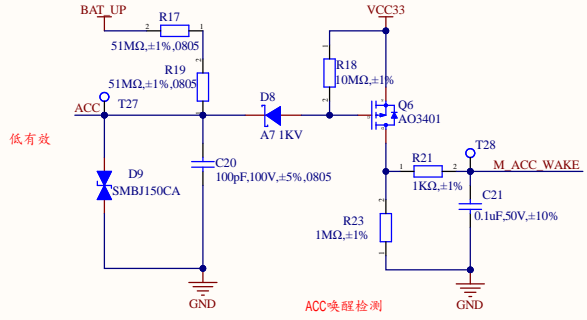
Title		
Size	Number	Revision
A3		
Date:	9/20/2023	Sheet of
File:	E:\WORK\1\BMS02_AFE.SchDoc	Drawn By:



Title		
Size	Number	Revision
A2		
Date:	9/20/2023	Sheet of
File:	E:\WORK\BMS02_MOS_SchDoc	Drawn By:



Title		
Size	Number	Revision
A4		
Date:	9/20/2023	Sheet of
File:	E:\WORK\...\BMS02_Protecion.SchDoc	Drawn By:



Title		
Size	Number	Revision
A3		
Date:	9/20/2023	Sheet of
File:	E:\WORK\...\BMS02_SIGNALIN.SchDoc	Drawn By: