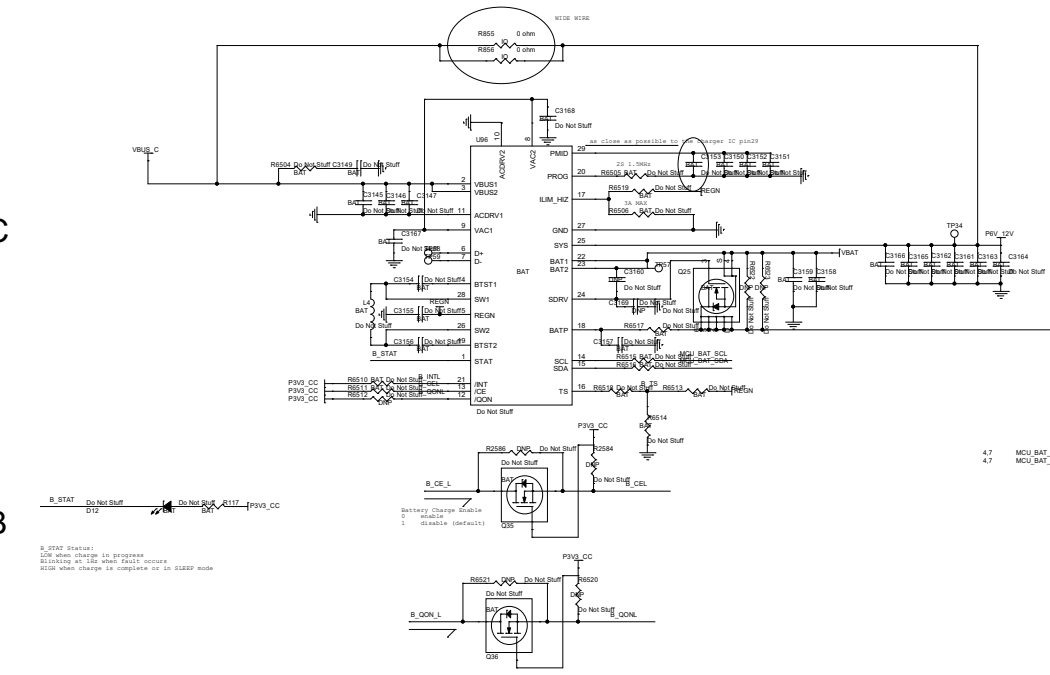
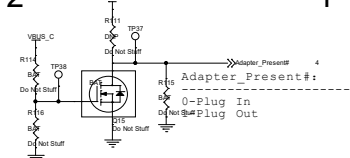


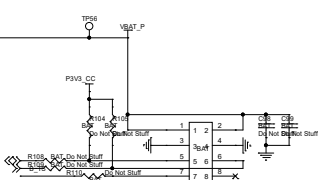
5 4 3 2 1

B_INT_L ← B_INT_L
 B_CE_L → B_CE_L
 B_CON_L → B_CON_L



750kHz-1.5-MHz Synchronous Switched-Mode
 5-A charging current with 10-mA resolution
 96.5% efficient: 16-V battery at 3A from 20V
 3.6-V to 24-V wide input operating voltage
 High power density, high integration buck-boost
 charger for 1-4 cell batteries supporting any USB
 PD 3.0 profile
 Integrates four switching MOSFETs, BATFET
 Integrates input and charging current sensing

+0.65% to -0.85% charge voltage regulation for
 2S-4S batteries
 ± 5% charge current regulation
 ± 5% input current regulation



深圳嘉洋电池
 标称电压: 7.4V
 充电限制电压: 8.7V
 标称容量: 6000mAh (25°C)
 阻抗: 12C, 400K mΩ
 Cell: RPL765984-3.8V-6000mAh
 TS: SNS103B23435FE12040EHD15

Table 9-1. PROG Pin Resistance to Set Default Switching Frequency and Battery Cell Count

SWITCHING FREQUENCY	CELL COUNT	TYPICAL RESISTANCE AT PROG PIN
1.5 MHz	1s	3.0 kΩ
750 kHz	1s	4.7 kΩ
1.5 MHz	2s	6.04 kΩ
750 kHz	2s	8.2 kΩ
1.5 MHz	3s	10.5 kΩ
750 kHz	3s	13.7 kΩ
1.5 MHz	4s	17.4 kΩ
750 kHz	4s	27.0 kΩ

TYR ID V20

小鱼易连

Doc No:	TYR BAT-10	Rev:	V20
DATE:	Saturday, January 06, 2024	Sheet:	6 of 11