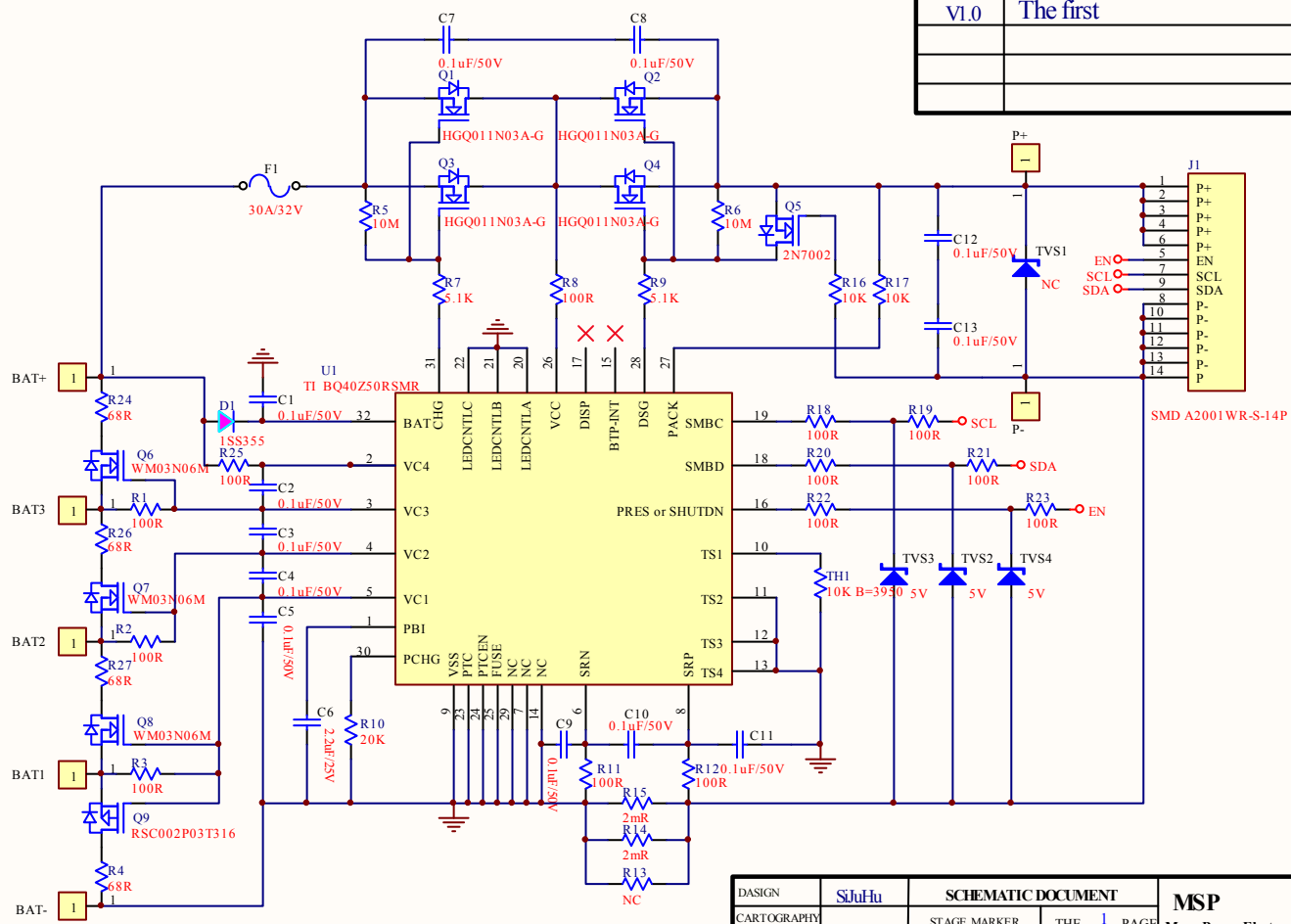


Revision	Description	Date
V1.0	The first	2024-05-28



DASIGN	SJHuHu	SCHEMATIC DOCUMENT		MSP Mass Power Electronics Inc
CARTOGRAPHY		STAGE MARKER	THE 1 PAGE	
CHECK			TOTAL 1 PAGE	(PRODUCT NAME/TYPE:)
APPROVE		DOCUMENT NUMBER	VERSION NUMBER	4S BMS
DATA	2024-05-28		V1.0	

SIZE OF PAPER: A3 CHINA STANDARD