

Electrical Specification @ 25°C:

Inductance: (2-4): 22.4 mH Min @ 100 KHz, 0.1 V

RDC: (11-12): 0.42 mΩ Max
(2-4): 2.9 Ω Max

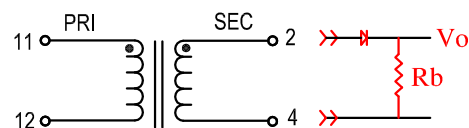
Turns Ratio: @ 100 KHz, 0.1 V
(11-12):(2-4)=1.0:200.0±3%

Hipot: Pins 11,12 to 2,4: 500 VAC for 2 second @ 1.0 mA

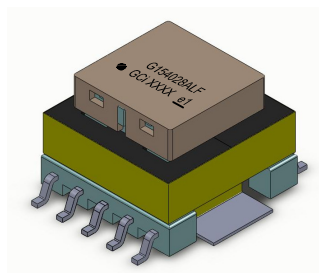
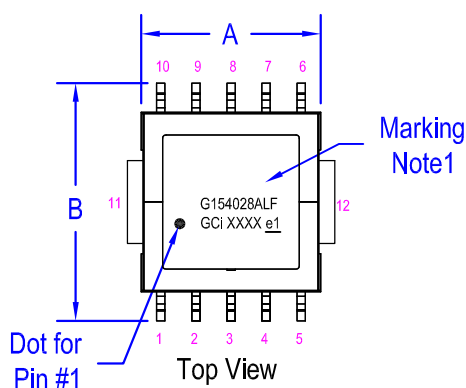
Operating Temperature: -40°C to +130°C

* V_o (Ref.): ≤110V (Uni-polar)

* Schematic:



Mechanical Specification:

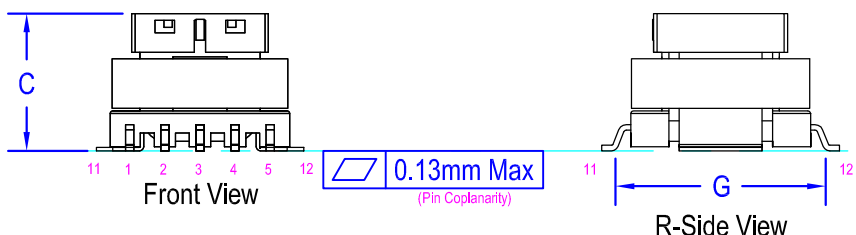


Notes:

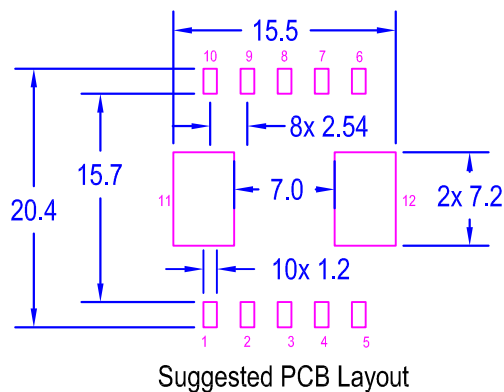
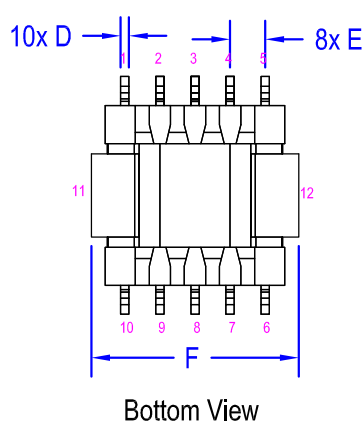
- Marking shall include:
GCI Part Number,
GCI Name, Date Code
RoHS Symbol

Marking

G154028ALF
GCI XXXX e1



Dimensions Table	
Ref.	mm
A	14.2 Max
B	20.0 Max
C	10.5 Max
D	(0.6 x 0.4)±0.1
E	2.54±0.25
F	14.5 Max
G	15.1 Ref



"ALL CURRENT CHANGES INDICATED BY ASTERISKS"



Electrical / Mechanical Specification

CURRENT SENSE TRANSFORMER

DESIGN ENG: Javier H. APPD. BY: Rich McCormick RELEASED BY: REV: 1 DRAFTER: June W. DATE: 07/06/15

S/O NUMBER: 154028 GCI PART NO: G154028ALF CUSTOMER PART NO: PMP11186 SHEET 1 OF 1

GCI technologies

Proprietary & Confidentiality Notice
This document contains GCI Technologies, Inc. proprietary and confidential data and is not to be copied, reproduced, used, or divulged to unauthorized persons, in whole or in part without proper written authorization from GCI Technologies, Inc. GCI Technologies, Inc. reserves all rights herein.