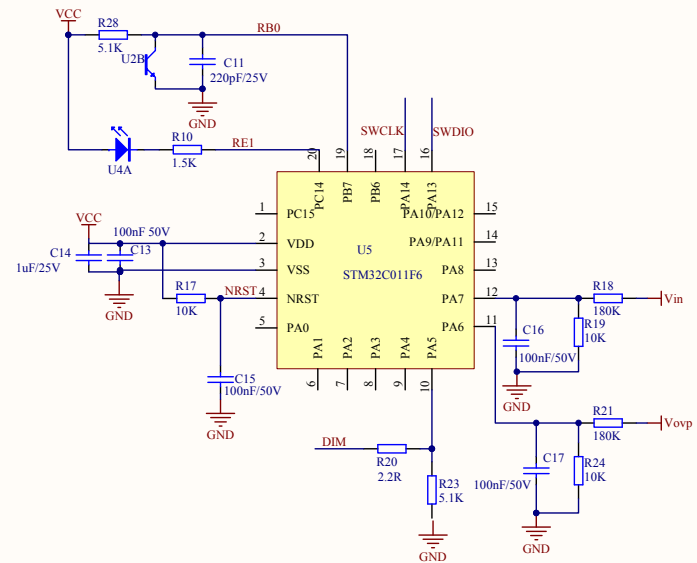
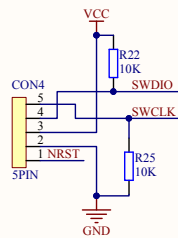
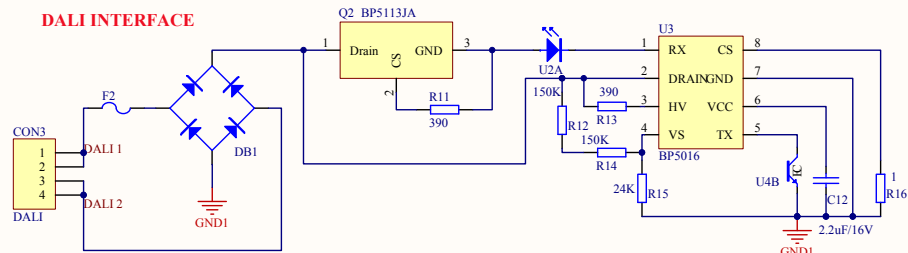


**DALI INTERFACE**



Title		
G2M DC48 30D		
Size	Number	Revision
A3		
Date:	2024/2/23	Sheet of
File:	E:\LXX\...\Copy of Copy of G2M DC48 30D\Sub B...	