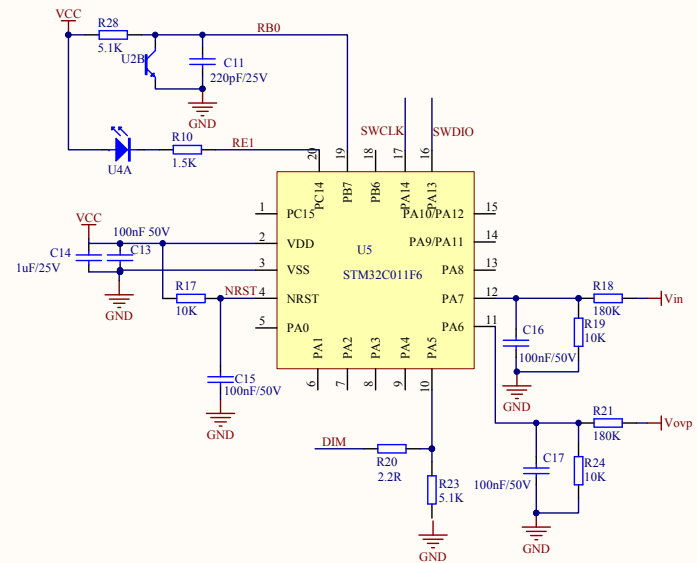
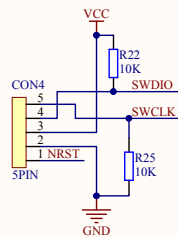
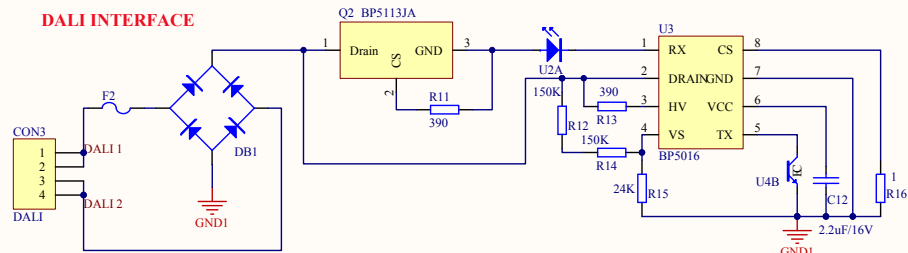


DALI INTERFACE



| | | |
|--------------|---|----------|
| Title | | |
| G2M DC48 30D | | |
| Size | Number | Revision |
| A3 | | |
| Date: | 2024/1/25 | Sheet of |
| File: | E:\LXX\...Copy of Copy of G2M DC48 30D\Sheet Bc | |