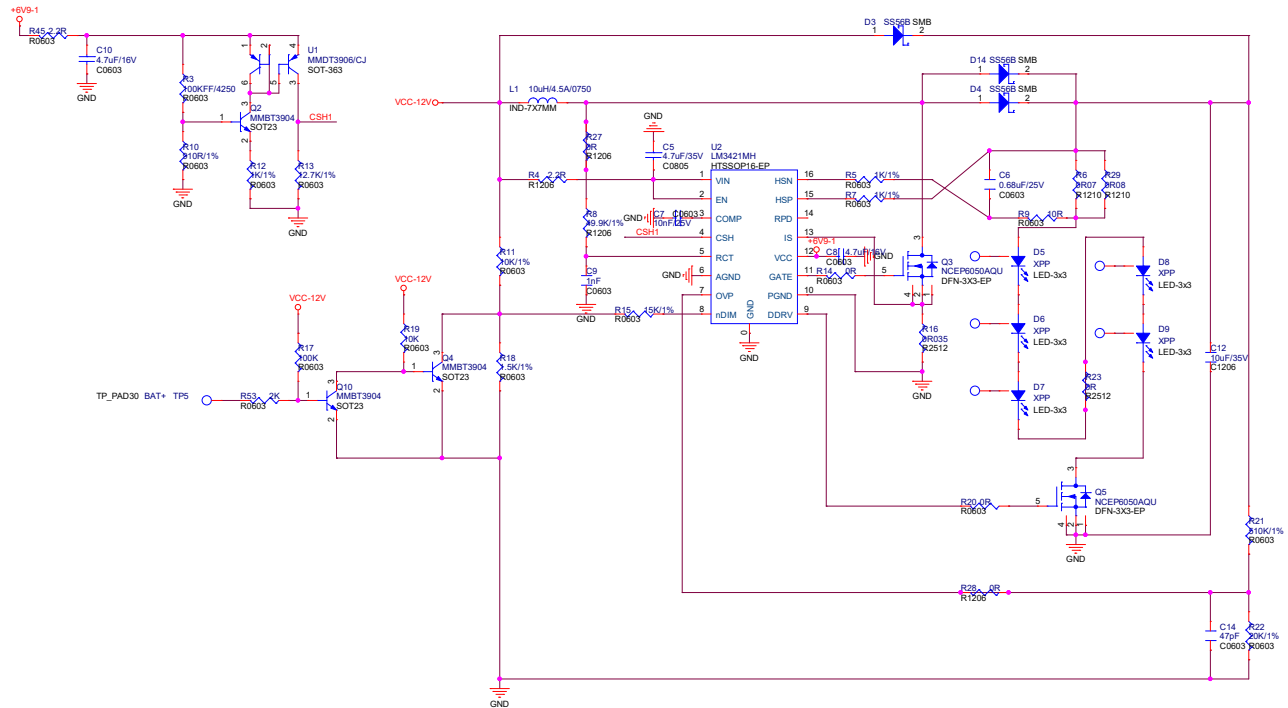


MASK1MASK2
SMD SMD

SMD SMD

HOLE1 HOLE2
Hole-M3 Hole-M3

Hole-M3 Hole-M3



Model :		Draw	
Size : A3	Document Number : COVER	Approved	Rev : V1.0
Date :		Sheet	1 of 2