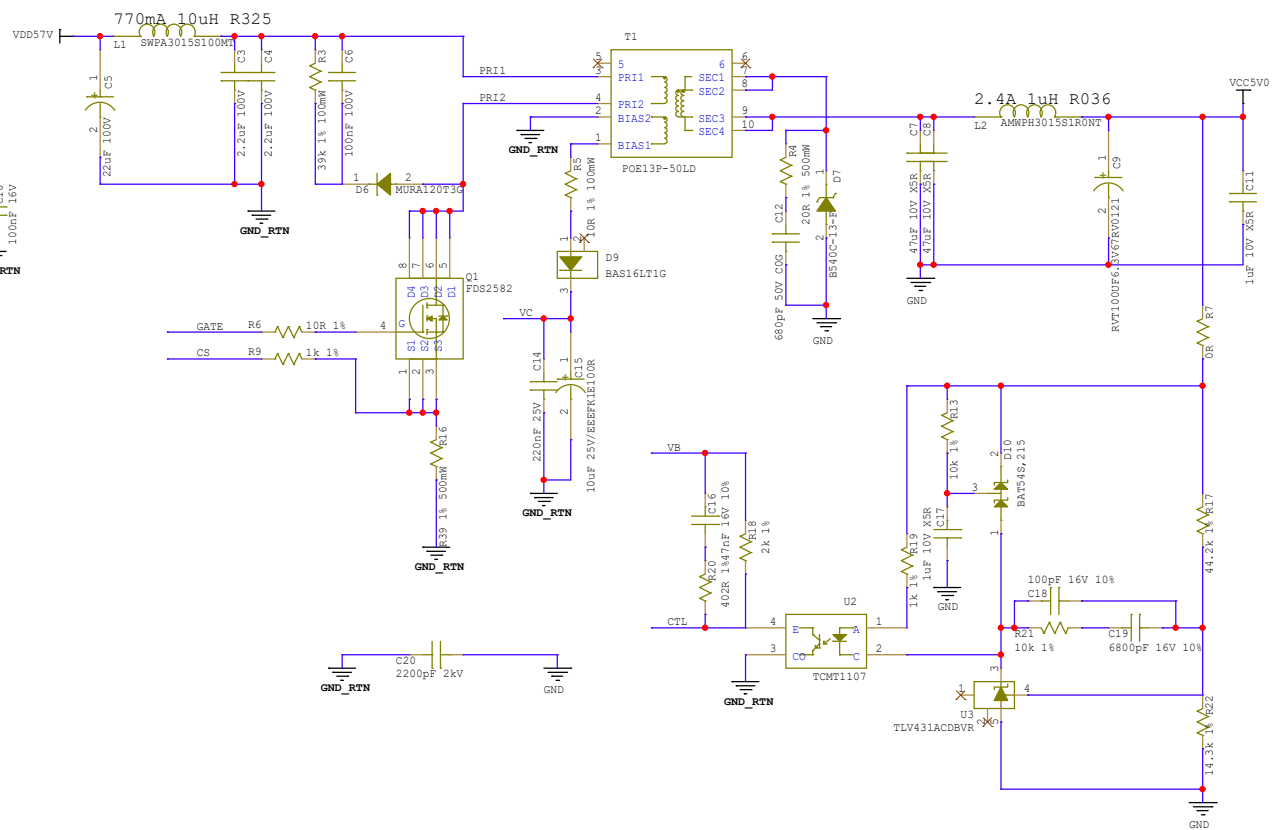
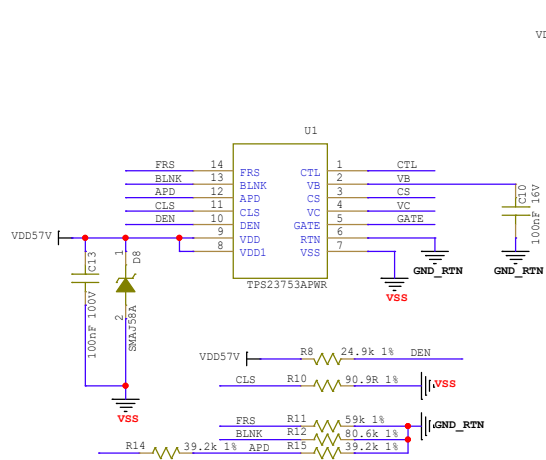
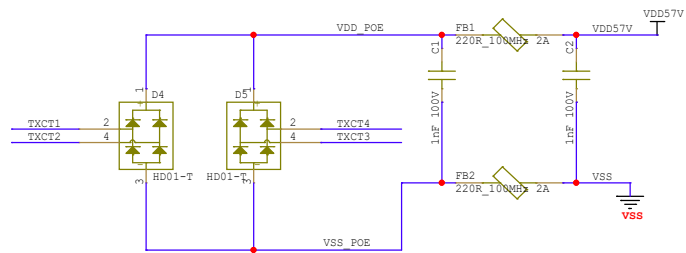
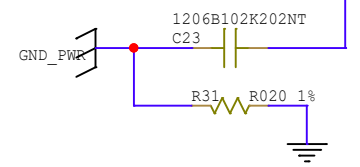
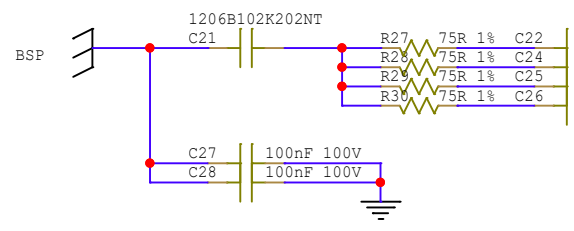
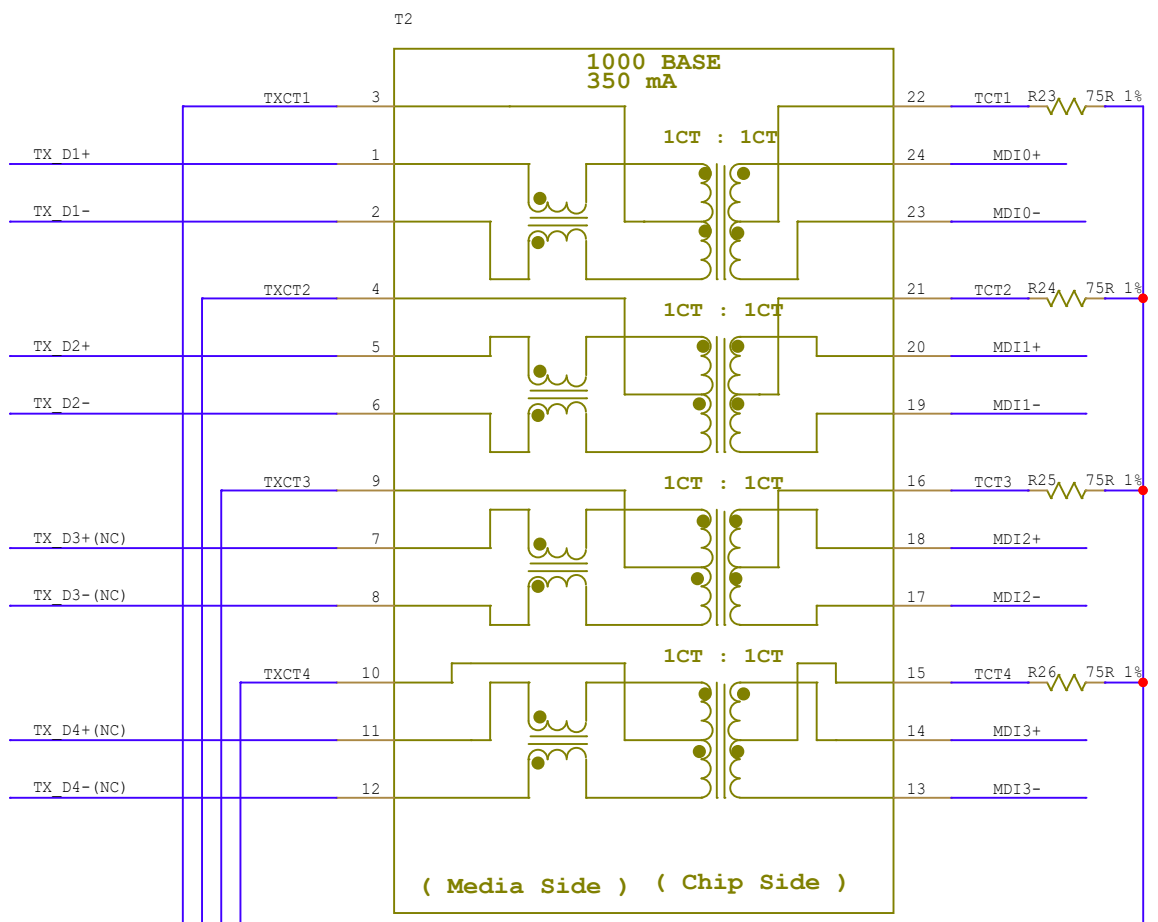
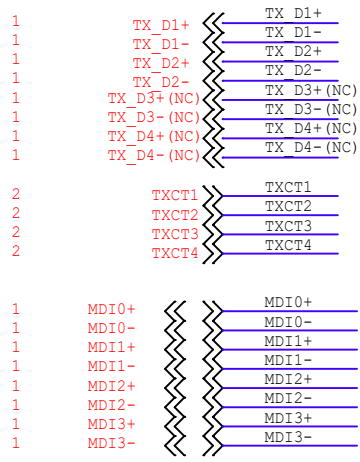


TXCT1
TXCT2
TXCT3
TXCT4



Title	<Title>	
Size	Document Number	Rev
A3	<Doc>	V2.0
Date:	Friday, December 06, 2024	Sheet 2 of 5



Title		
<Title>		
Size	Document Number	Rev
A4	<Doc>	<RevC>
Date:	Friday, December 06, 2024	Sheet 3 of 5