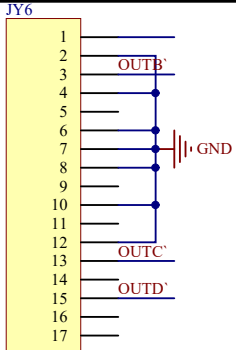
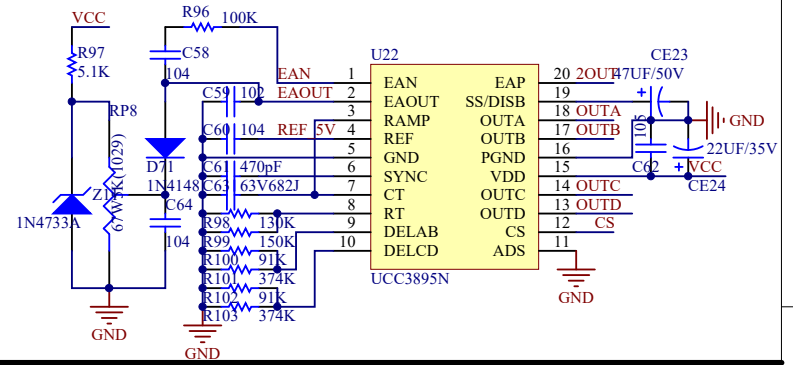
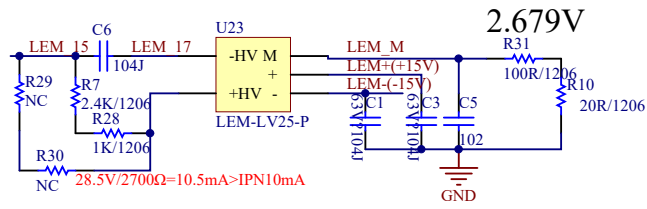
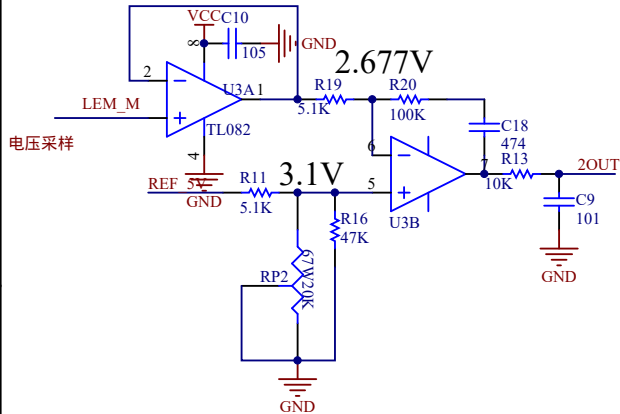
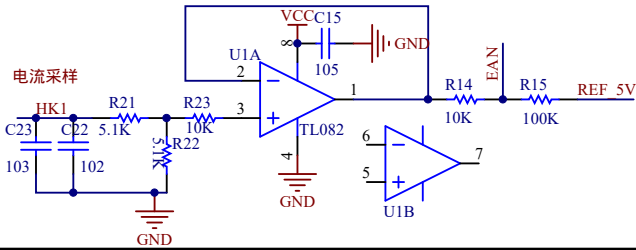


J27-29(ZJL 1 BC)

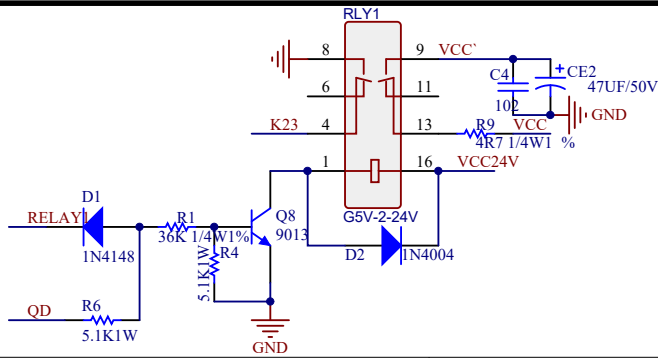
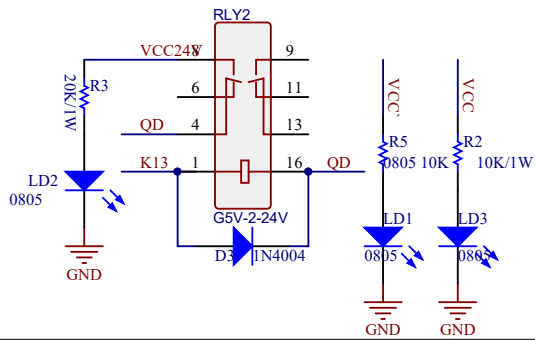
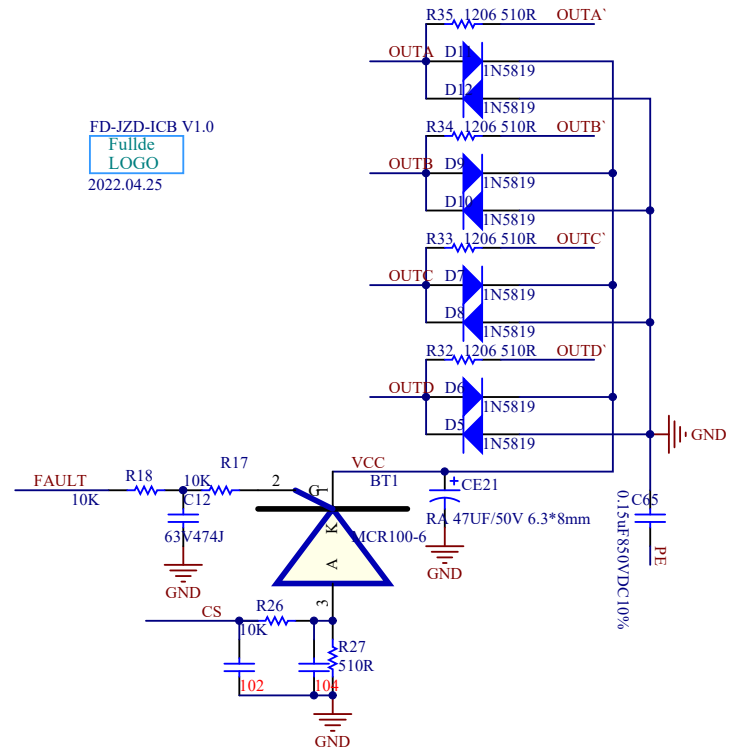


J27-17(ZJL 1 BC)

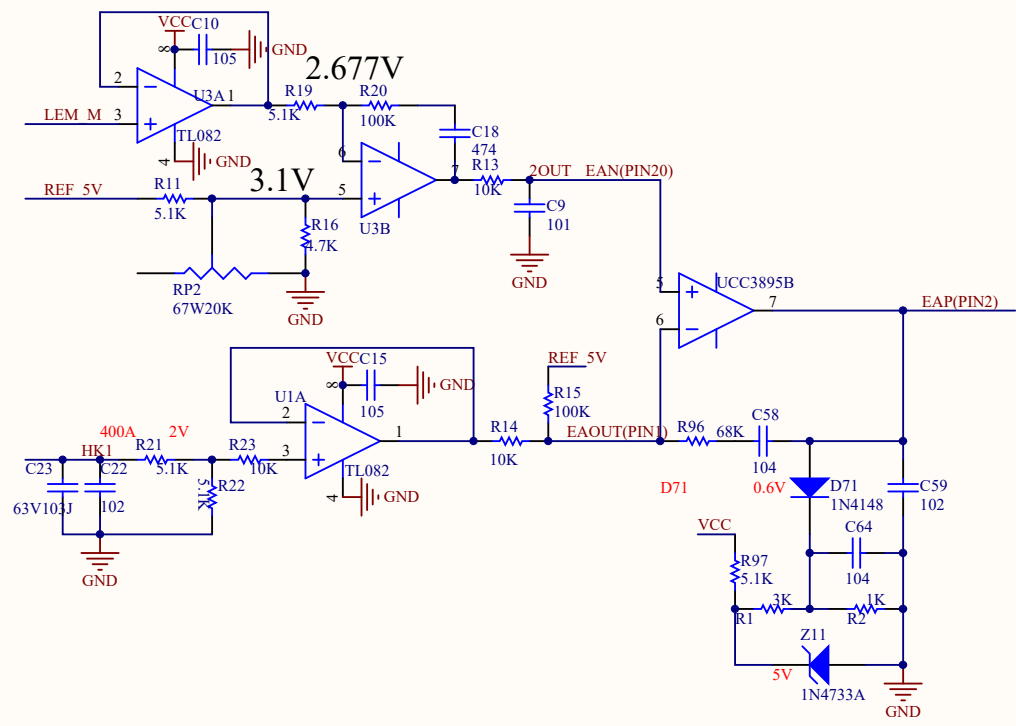
12pin



FD-JZD-ICB V1.0
Fullde
LOGO
2022.04.25



Title		
Size	Number	Revision
A4		
Date:	2022/8/9	Sheet of
File:	D:\Hardware\..JZD-10AG-ICB-V1.0.Sch	Drawn By:



Title		
Size	Number	Revision
A4		
Date:	2022/8/9	Sheet of
File:	D:\Hardware\..._SchDoc	Drawn By:

Bill of Materials

<Parameter Title not found>

Source Data From: JZD-ICB-V1.0.PrjPCB
 Project: JZD-ICB-V1.0.PrjPCB
 Variant: None

Creation Date: 2022/8/9 10:08:15
 Print Date: 44782 44782.42245

Footprint	Comment	LibRef	Designator	Description	Quantity
SOT23A	MCR100-6	MCR100-6	BT1		1
1210	0805 50V 104	Cap	C1, C3	Capacitor	2
0805C	0805 50V 102	Cap	C4, C22, C59	Capacitor	5
0805	0805 50V 102	Cap	C5	Capacitor	1
0805	0805 50V 104	Cap	C6	Capacitor	1
0805C	0805 25V 101	Cap	C9	Capacitor	4
0805C	0805 25V 105	Cap	C10, C18	Capacitor	4
1210	0805 50V 102	Cap	C12	Capacitor	1
0805C	0805 25V 105	Cap	C15	Capacitor	2
0805C	0805 50V 103	Cap	C23	Capacitor	2
0805C	104	Cap	C58, C64	Capacitor	4
0805C	0805 50V 104	Cap	C60	Capacitor	1
0805C	0805 50V 511	Cap	C61	Capacitor	1
0805C	0805 50V 105	Cap	C62	Capacitor	1
0805C	0805 50V 682	Cap	C63	Capacitor	1
RAD-0.3	Cap	Cap	C65	Capacitor	1
2.5*6.3*15mm	47UF/50V	Cap Pol1	CE2, CE23	Polarized Capacitor (Radial)	2
海					
2.5*6.3*15mm	RA 47UF/50V	Cap Pol1	CE21	Polarized Capacitor (Radial)	1
海	6.3*8mm				
2.5*6.3*15mm	22UF/35V	Cap Pol1	CE24	Polarized Capacitor (Radial)	1
海					
DO-41	1N4148	Diode 1N4001	D1, D71	1 Amp General Purpose Rectifier	3
DO-41	1N4004	Diode 1N4001	D2, D3	1 Amp General Purpose Rectifier	2
DO-41	1N5819	Diode 1N4001	D5, D6, D7, D8, D9, D10, D11, D12	1 Amp General Purpose Rectifier	8
fulde(log)	2022.04.25	HVAC	FD-JZD-ICB V1.0		1
J27-29	J27-29(ZJL I BC)	J27-29(ZJL I BC)	JY5		1
J27-17	J27-17(ZJL I BC)	J27-17(ZJL I BC)	JY6		1
0805D	0805 绿灯	LED0	LD1, LD2, LD3	Typical INFRARED GaAs LED	3
SOT23A	9013	2N3904	Q6	NPN General Purpose Amplifier	1
0805R	3K	Res1	R1	Resistor	1
0805R	0805 36K	Res1	R1	Resistor	1
0805R	1K	Res1	R2	Resistor	1
0805R	0805 10K	Res1	R2, R5, R13, R14, R17, R18, R23, R26, R27	Resistor	12
0805R	0805 20K	Res1	R3	Resistor	1
0805R	1210 5.1K	Res1	R4	Resistor	1
0805R	0805 5.1K	Res1	R6, R11, R19, R21, R22, R97	Resistor	11
1206R	Res1	Res1	R7, R28, R29, R30	Resistor	4
0805R	1210 4R	Res1	R9	Resistor	1
1206R	20R/1206	Res1	R10	Resistor	1
0805R	0805 100K	Res1	R15	Resistor	2
0805R	4.7K	Res1	R16	Resistor	1
0805R	0805 4.7K	Res1	R16	Resistor	1
0805R	0805 70K	Res1	R20	Resistor	2
1206R	100R/1206	Res1	R31	Resistor	1
1206R	1206 510R	Res1	R32, R33, R34, R35	Resistor	4
0805R	68K	Res1	R96	Resistor	1
0805R	100K	Res1	R96	Resistor	1
0805R	130K	Res1	R98	Resistor	1
0805R	150K	Res1	R99	Resistor	1
0805R	0805 92K	Res1	R100, R102	Resistor	2
0805R	0805 370K	Res1	R101, R103	Resistor	2
RELAY-TH_GSV-2-12V	GSV-2-24V	GSV-2-24V	RLY1, RLY2		2
VR5	Res Tap	Res Tap	RP2, RP8	Tapped Resistor	3
DIP-8	TL082	OPAMP1	U1, U3		4
DIP20	UCC3895N	UCC3895N	U22		1
LEM-LV25-P	LEM-LV25-P	LEM	U23		1
SO-8	LM393	OPAMP1	UCC3895		1
ZENER	1N4733A	D Zener	Z11	Zener Diode	2

123

Approved	Notes