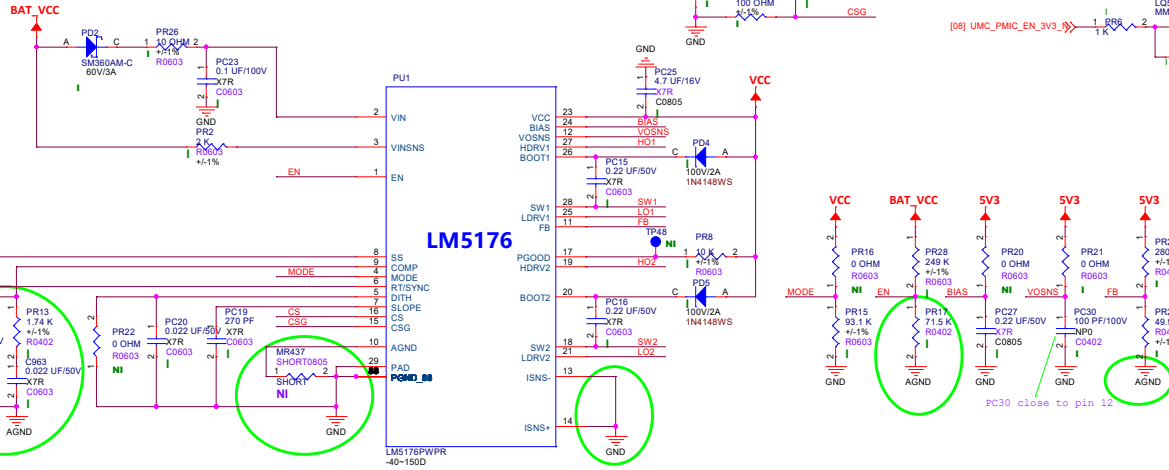
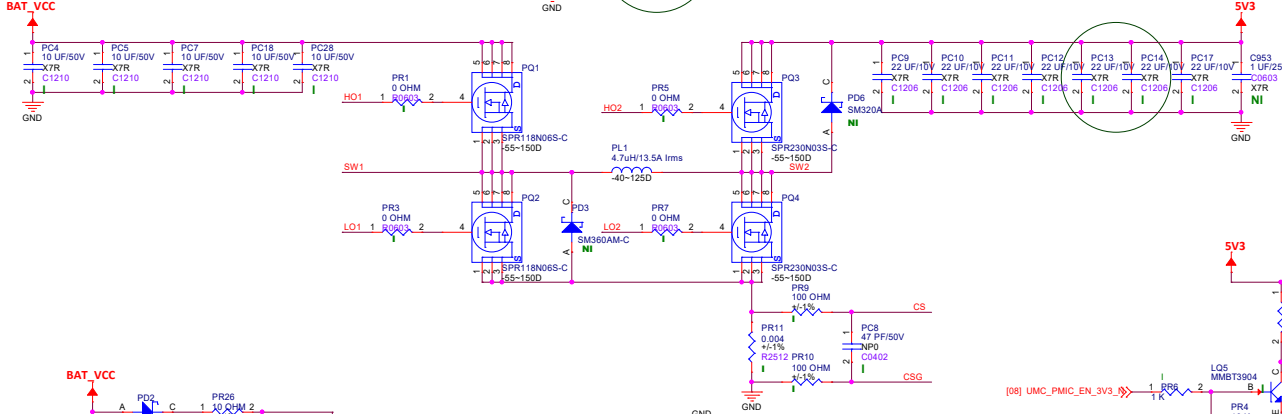
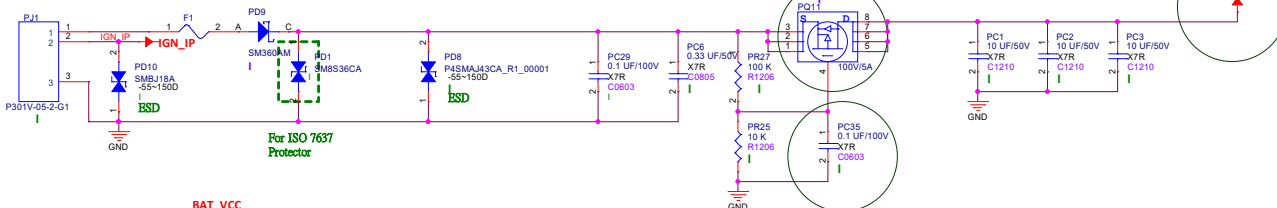
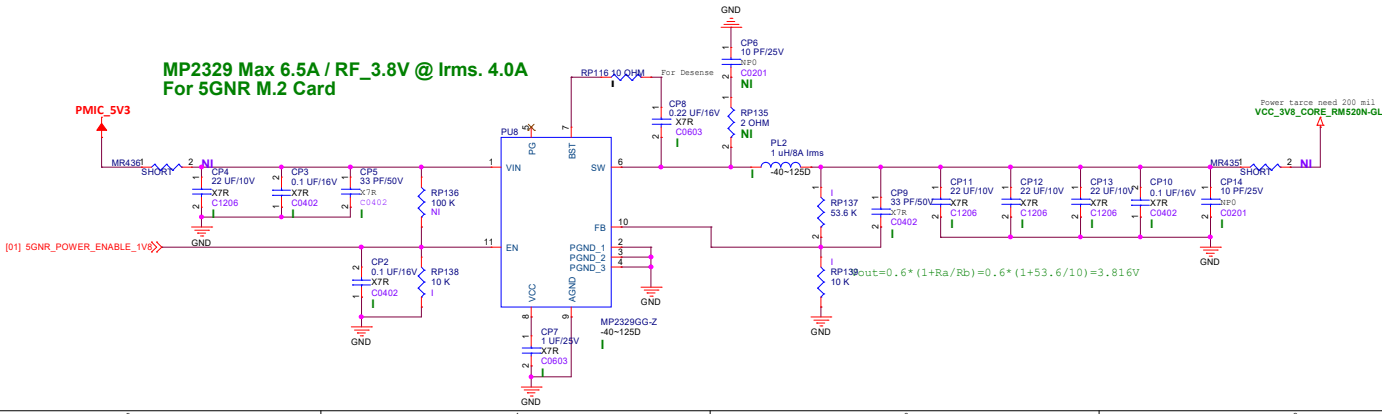


DC_7-36V



MP2329 Max 6.5A / RF_3.8V @ Irms. 4.0A
For 5G NR M.2 Card



Confidential

合勤科技股份有限公司	
TITLE: AC FLEET	
DRN: SC PAN	DWG NO:
CKD: Allen Lin	
APPD: Harry Hsu	REV: AAEL-0
Section 9. System Power	
Size	Document Number
	45-060-00096Z-AAEL
Date: Monday, July 31, 2023	Sheet 09 of 13