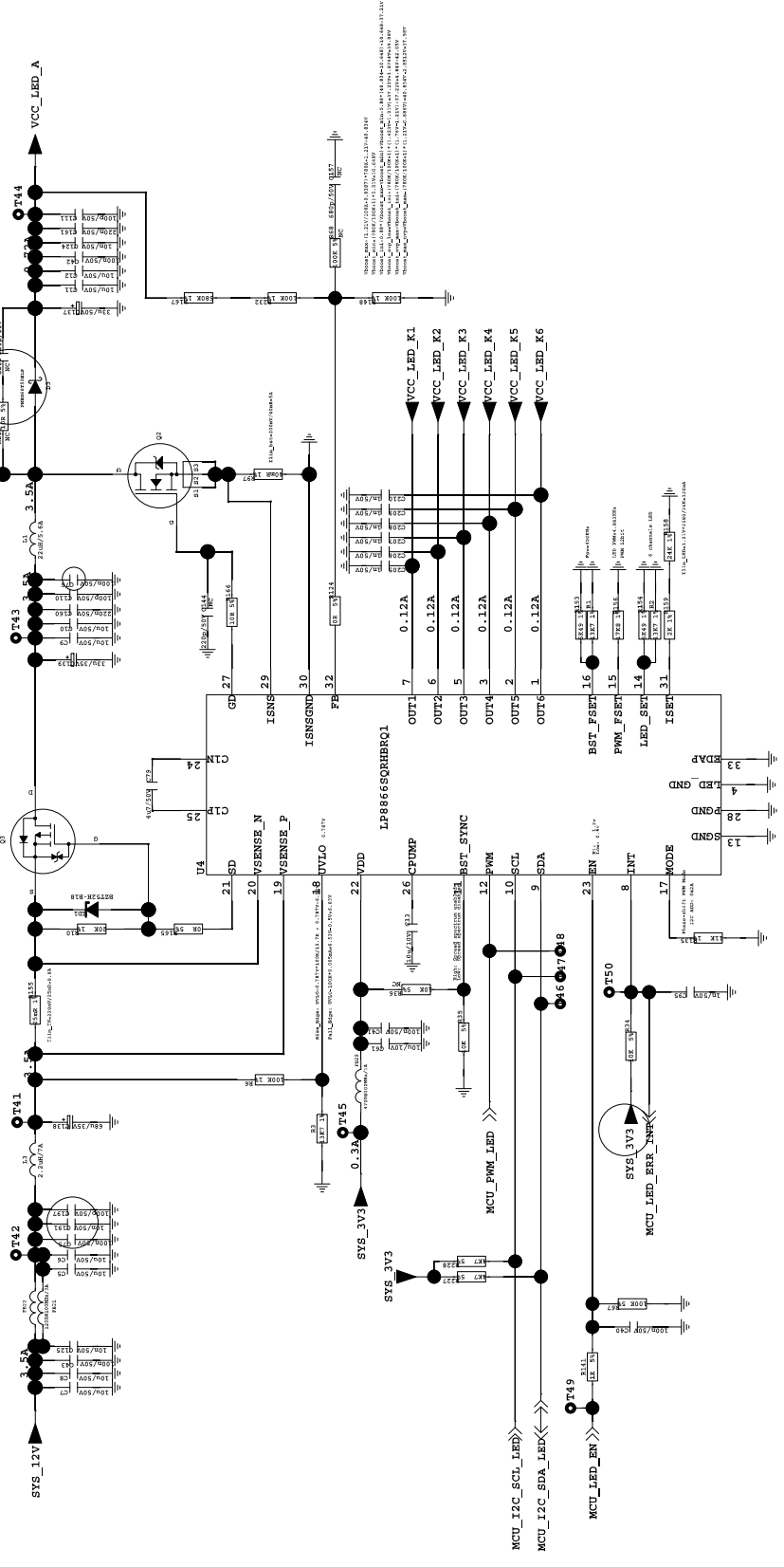
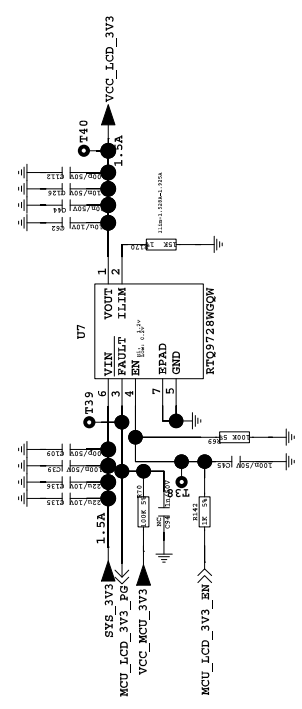


# LED DRIVER



# LCD 3V3



Block Description:	
Designed By:	Lian Yufan
Version:	V02
Released By:	
Date:	2020-10-24
Part Material Information:	
Part No.:	F04_150mm60mm_1.6mm_41_01D
Designation:	
Page:	of
	A3
	20