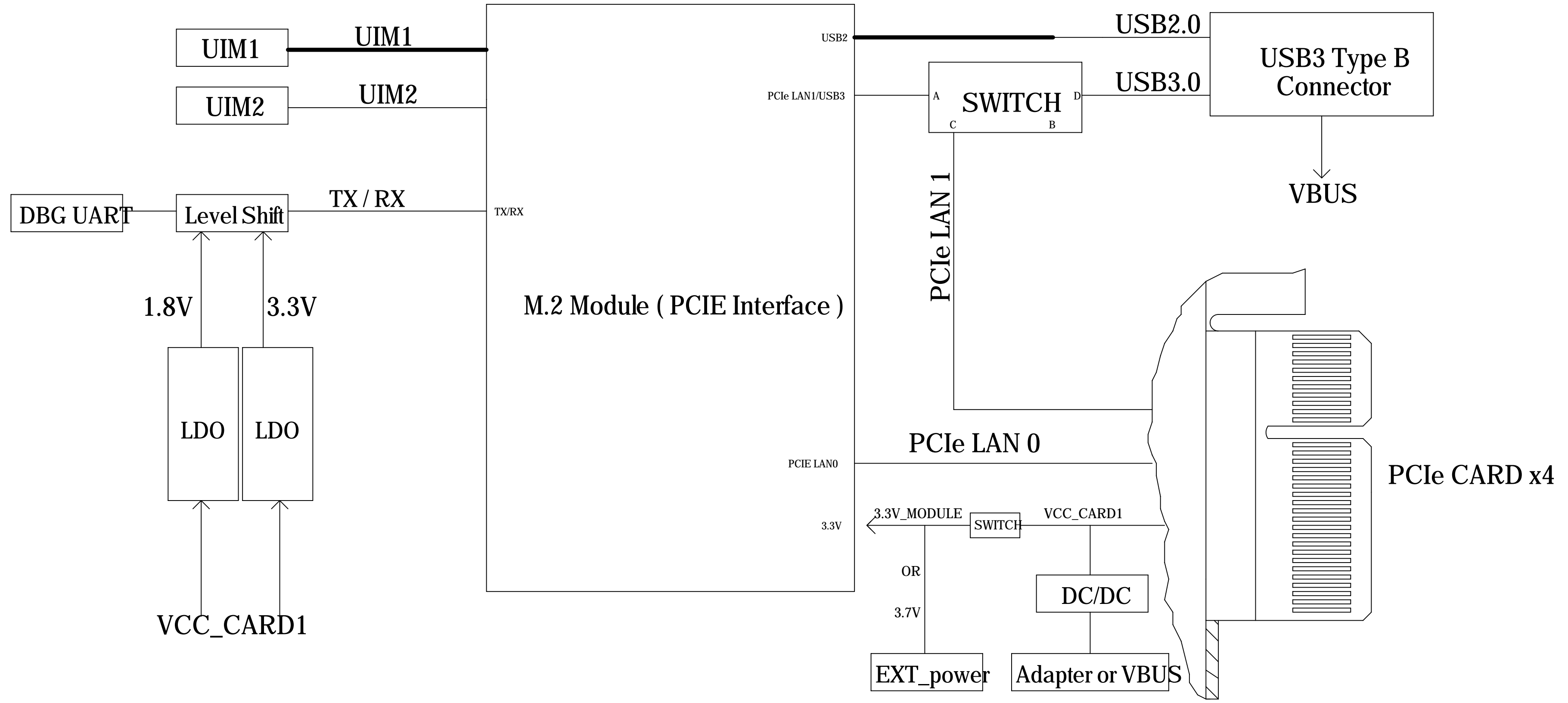
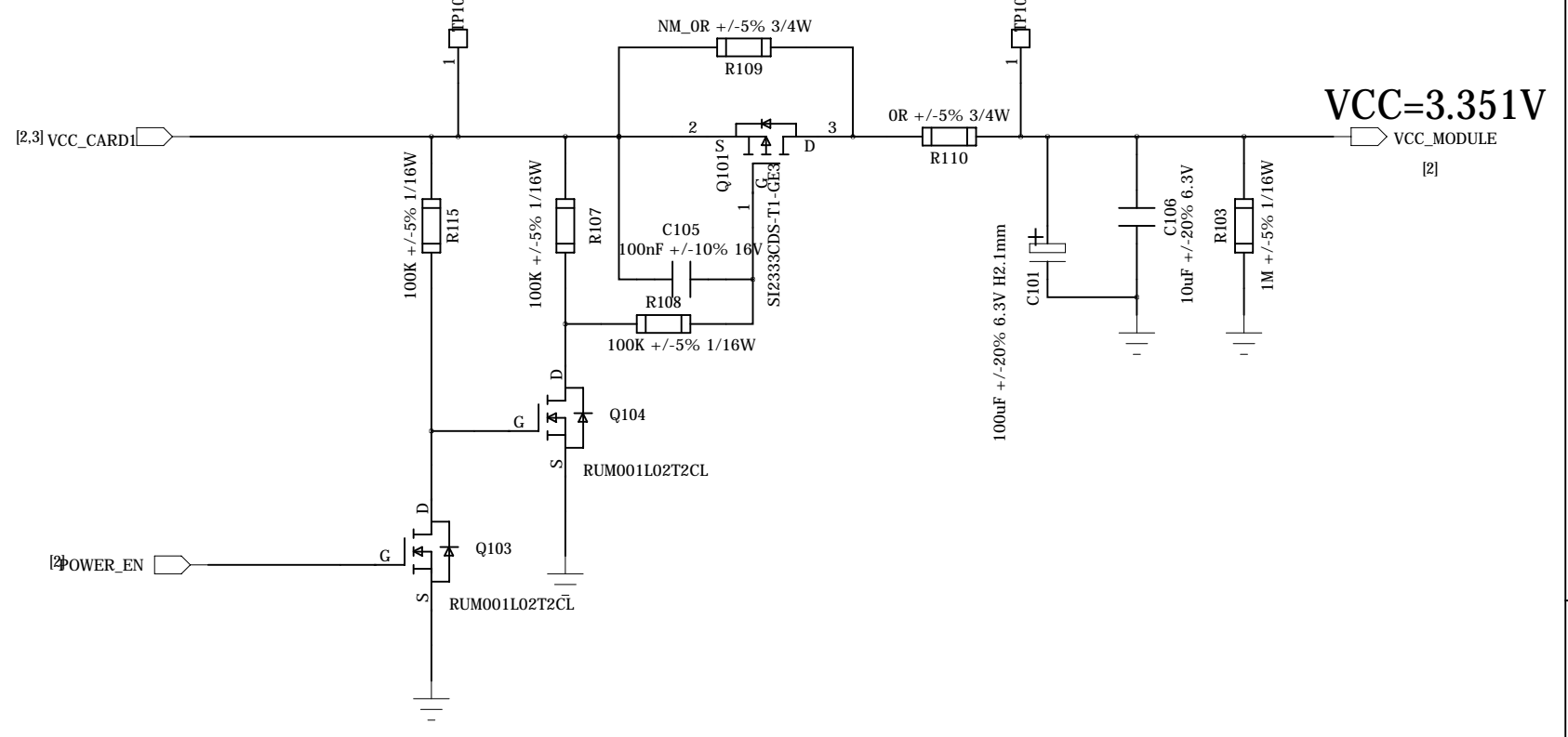
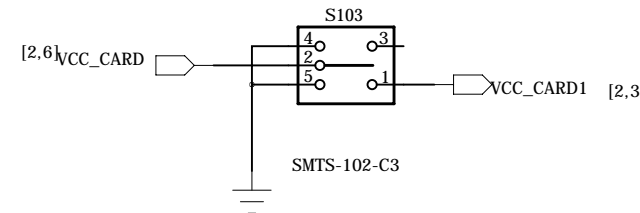


PCIE CARD EVB BLOCK DIAGRAM

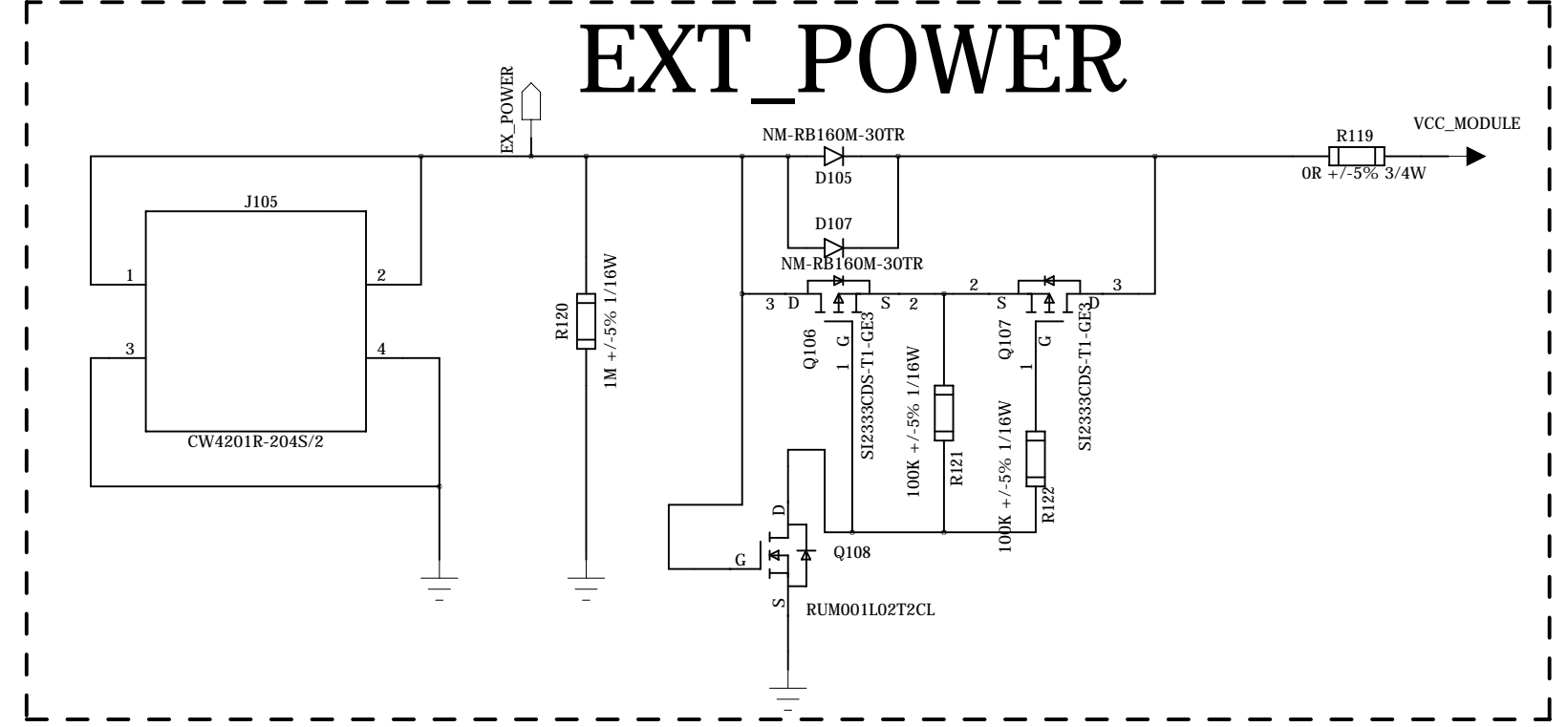


Quectel Wireless Solutions		
DRAWN BY Neeson ZHANG/Archibald	PROJECT PCIE-CARD-EVB	TITLE <title>
CHECKED BY Oscar LIU	SIZE A2	VER V2.3
	SHEET 1 OF 8	DATE 2020/11/30

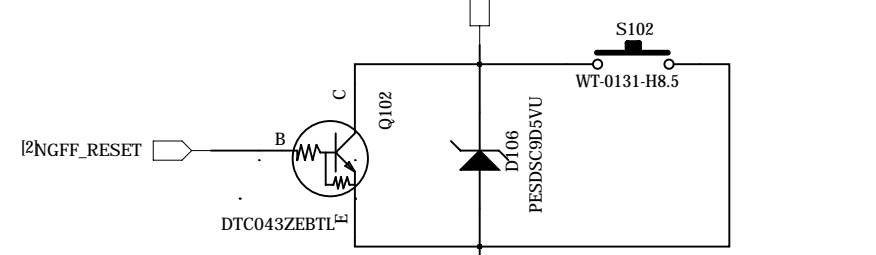
POWER SWITCH



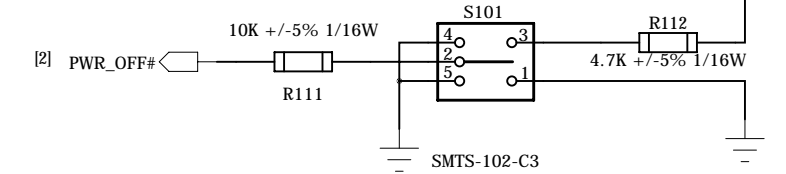
EXT_POWER



RESET BUTTON

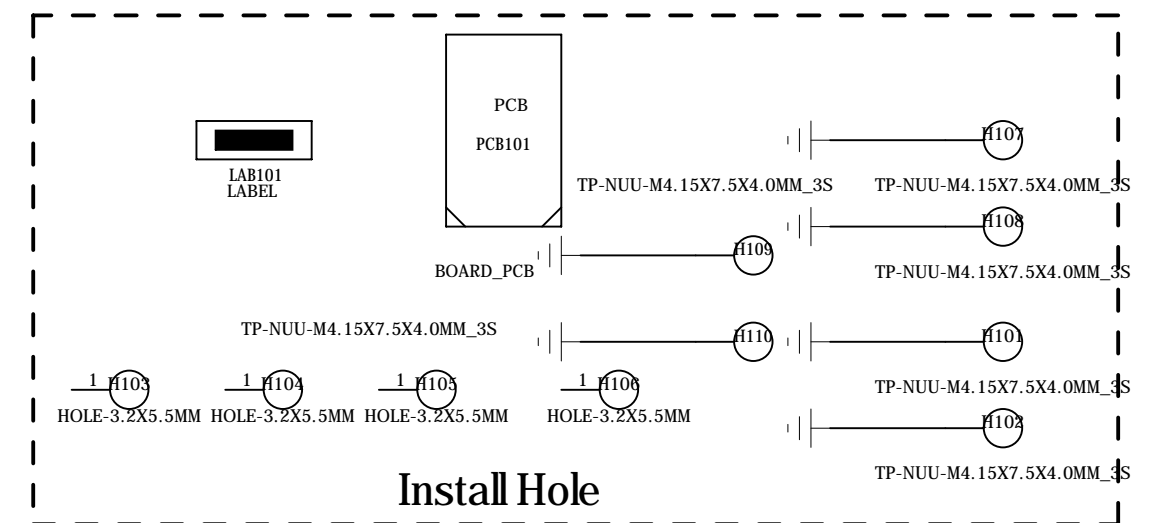
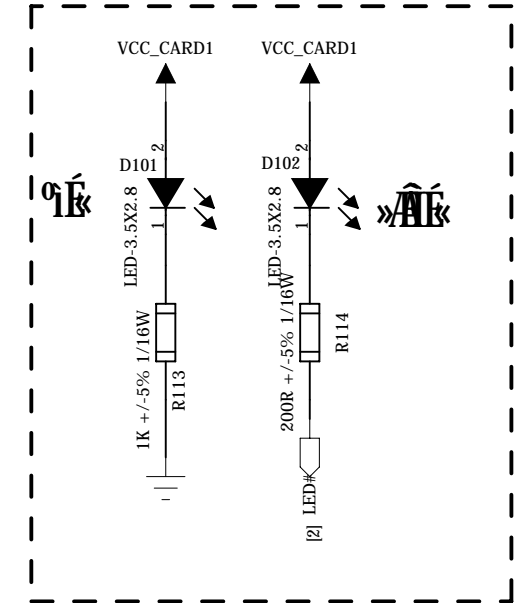
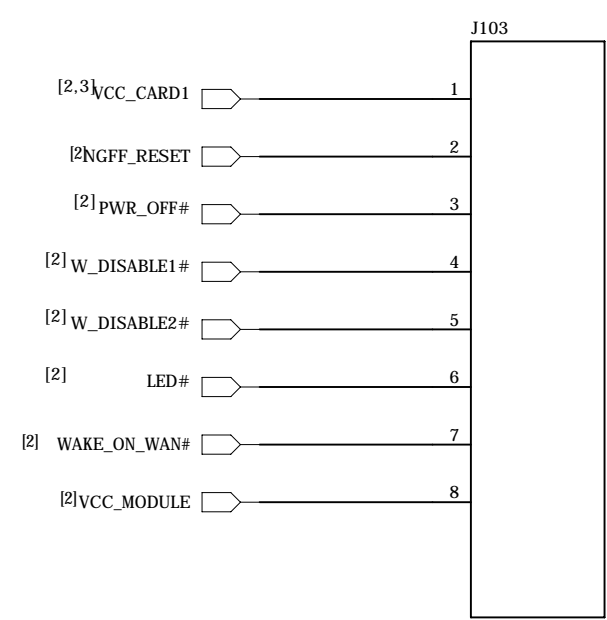
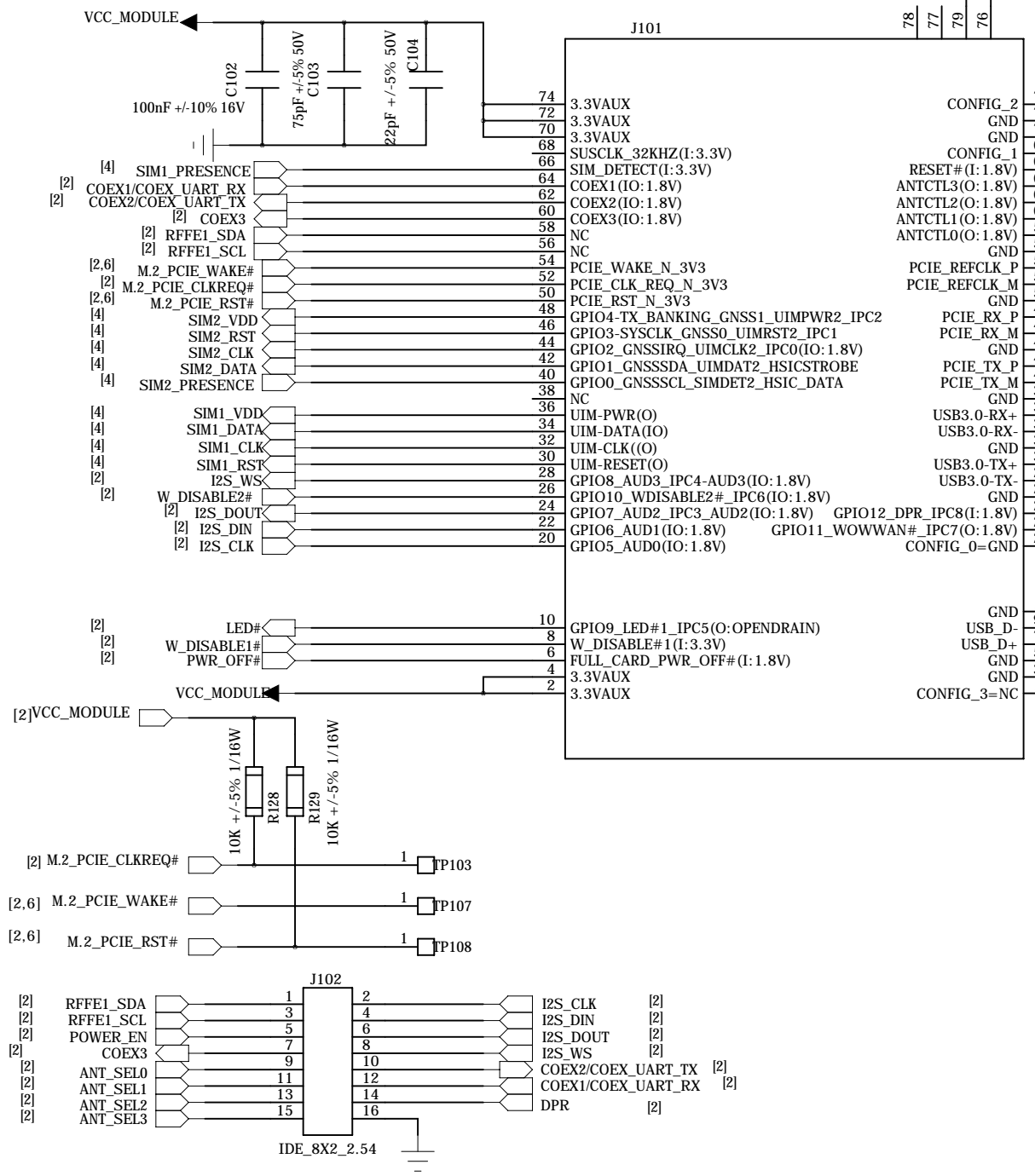
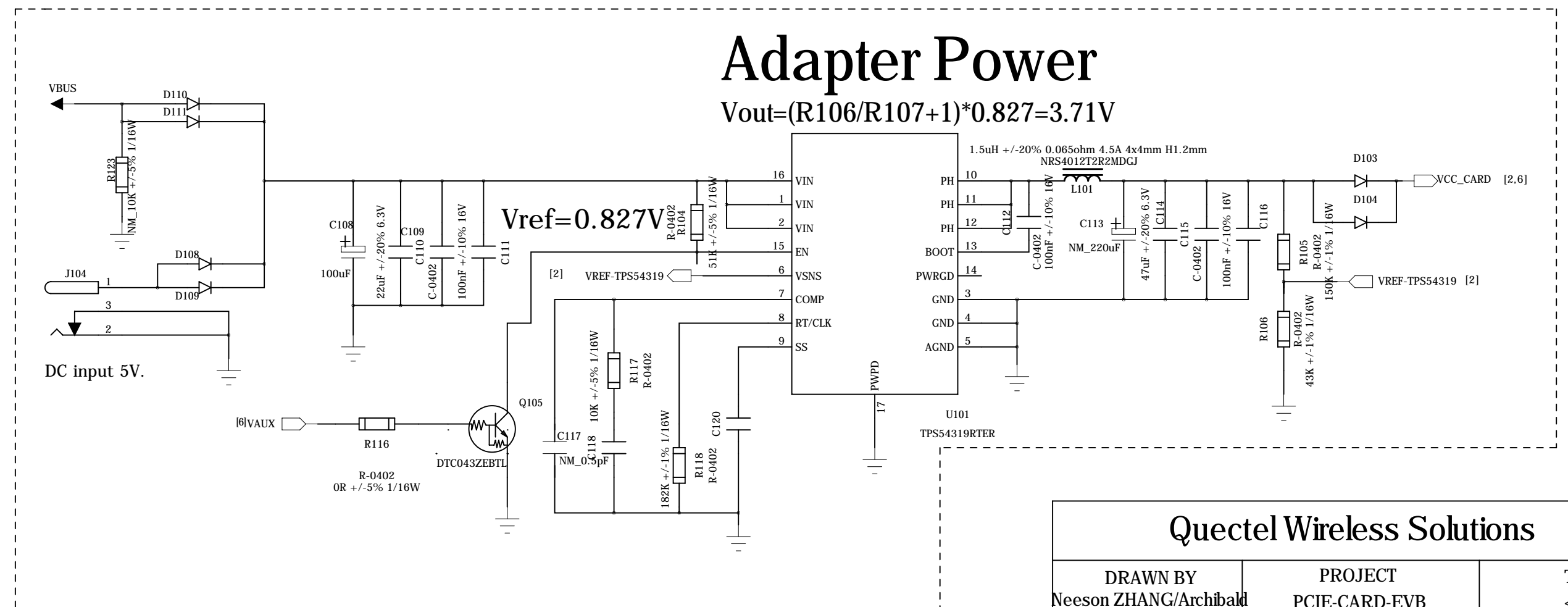


POWERKEY SWITCH



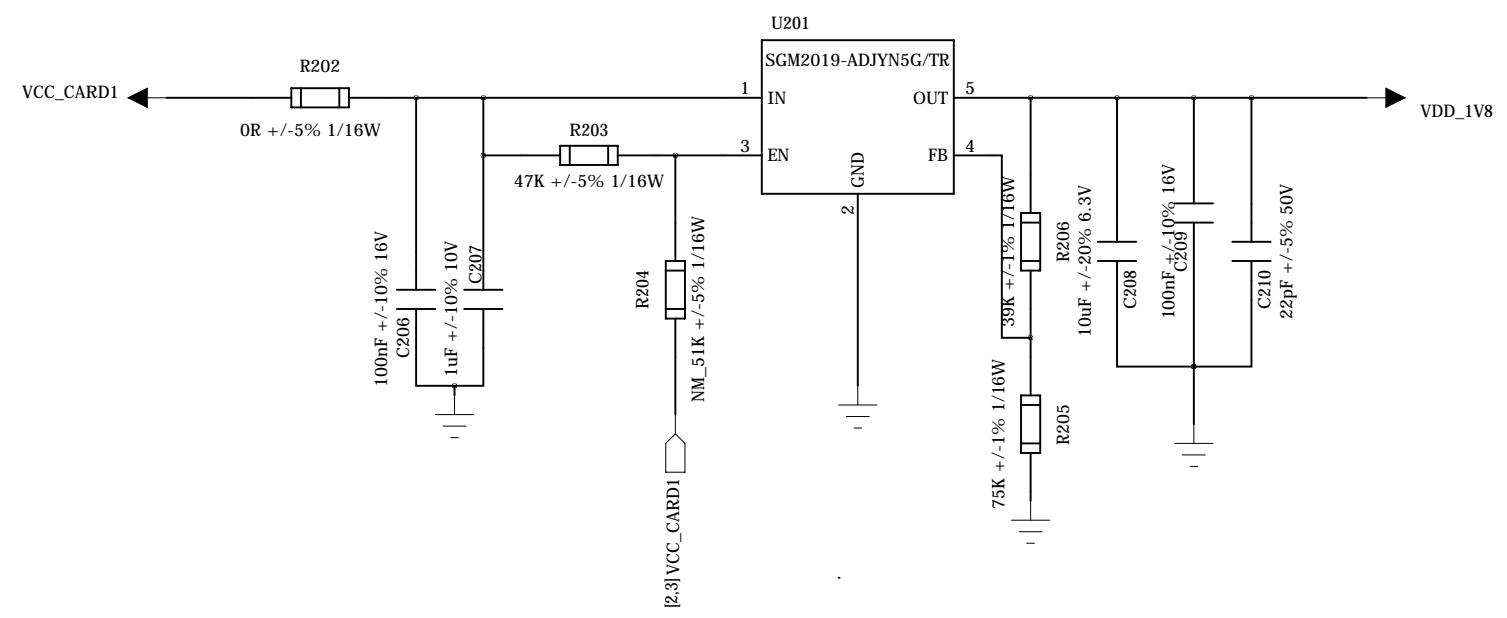
Adapter Power

$V_{out} = (R106/R107 + 1) * 0.827 = 3.71V$



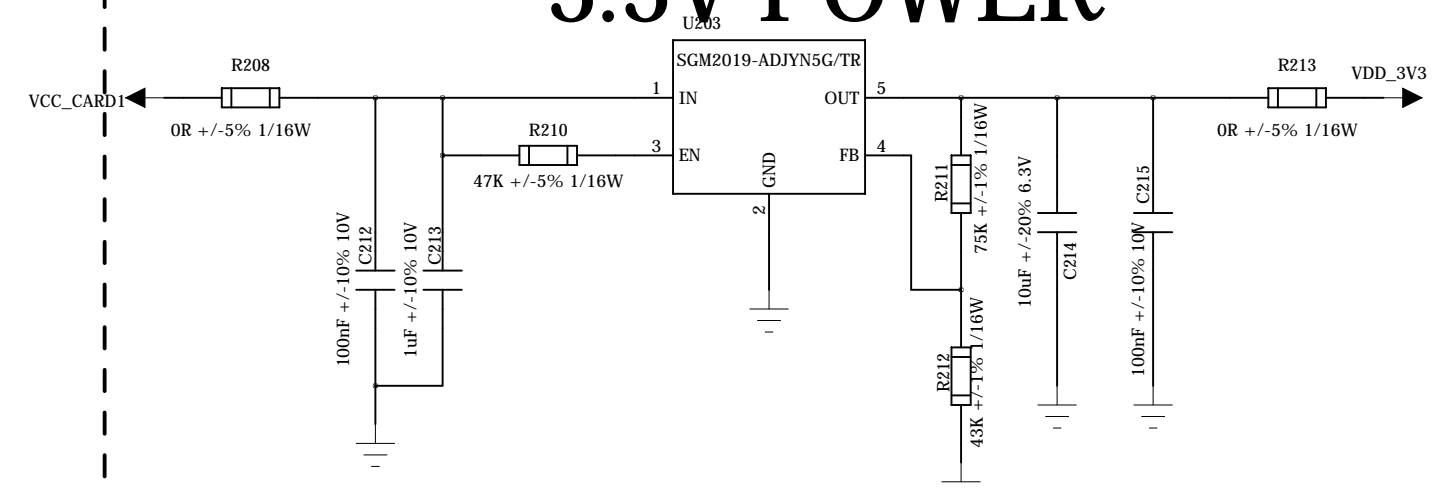
Quectel Wireless Solutions		
DRAWN BY Neeson ZHANG/Archibald	PROJECT PCIE-CARD-EVB	TITLE <title>
CHECKED BY Oscar LIU	SIZE A2	VER V2.3
SHEET 2 OF 8	DATE 2020/11/30	

1.8V POWER



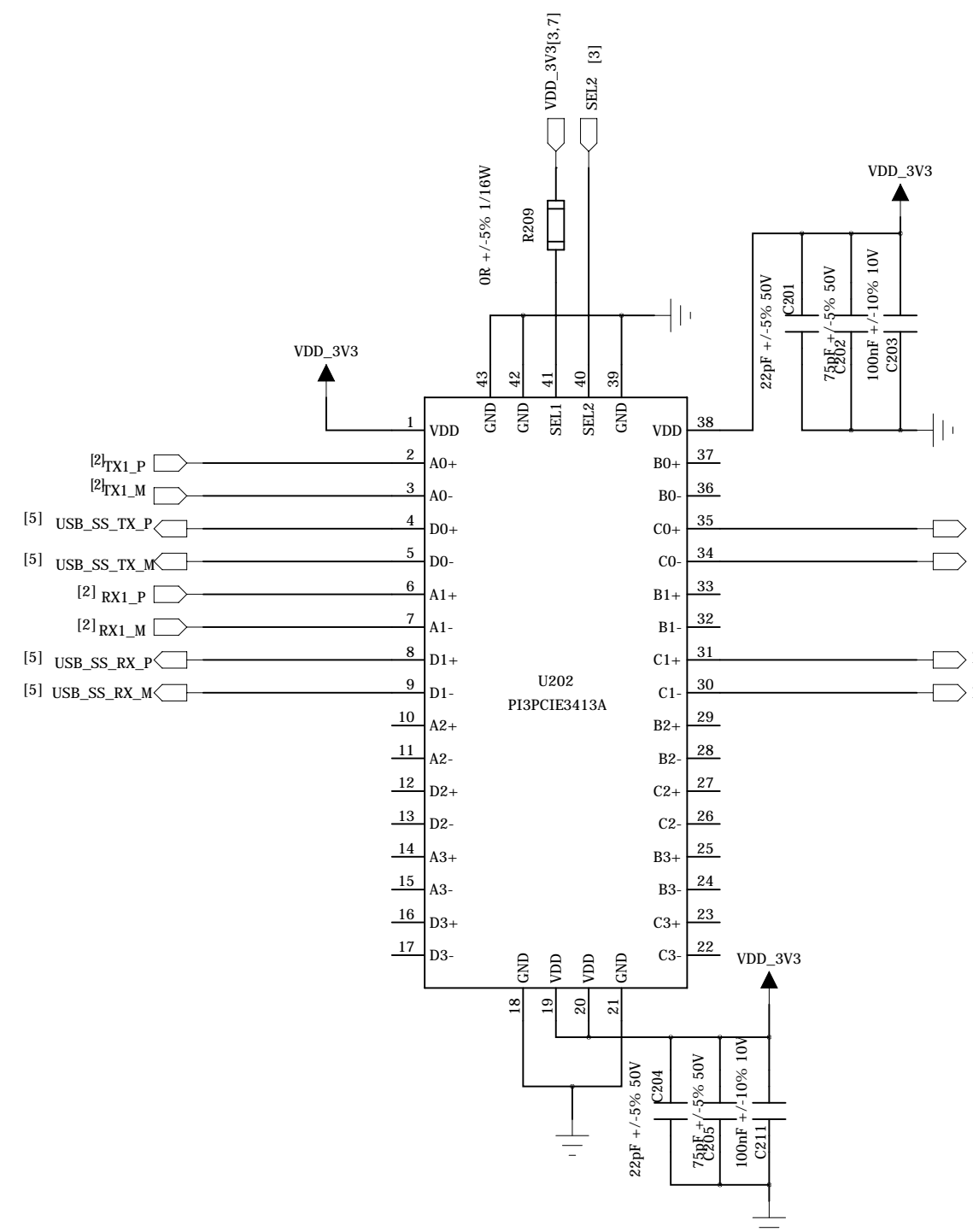
$$V_{out} = [(R116 + R117) / R117] * 1.207 = 1.83V$$

3.3V POWER

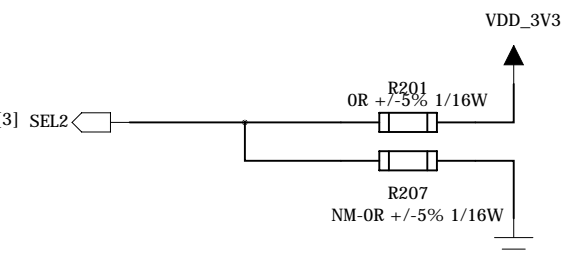


$$V_{out} = [(R217 + R218) / R218] * 1.207$$

Typ. = 3.31V



PCIE_SEL1	PCIE_SEL2	Function
1	0	PCIE LAN1 A _i úC
1	1	USB3.0 A _i úD

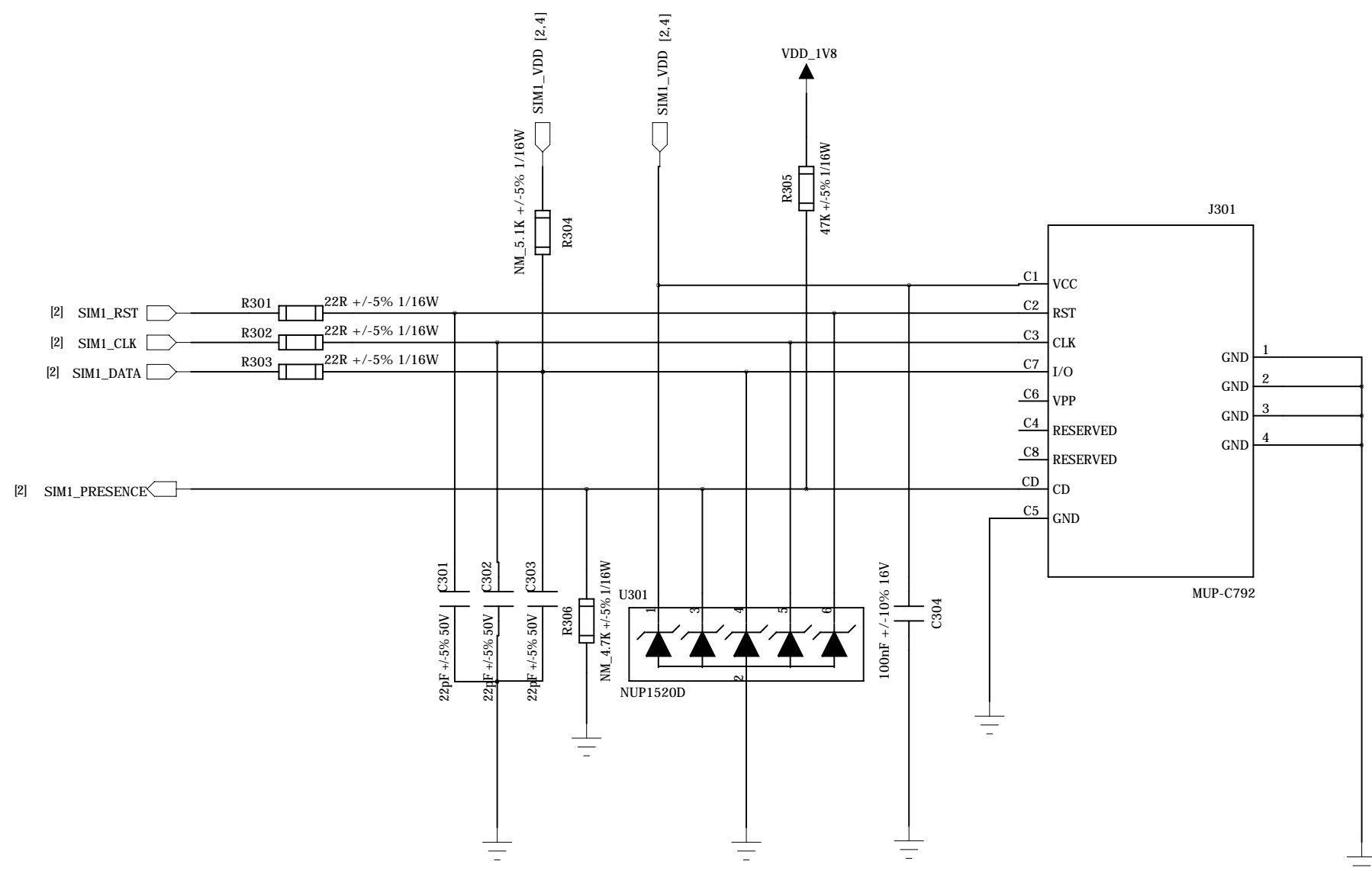


SEL1	SEL2	FUNCTION
0	0	POWER DOWN ALL SWITCH HI-Z
0	1	A->B
1	0	A->C
1	1	A->D

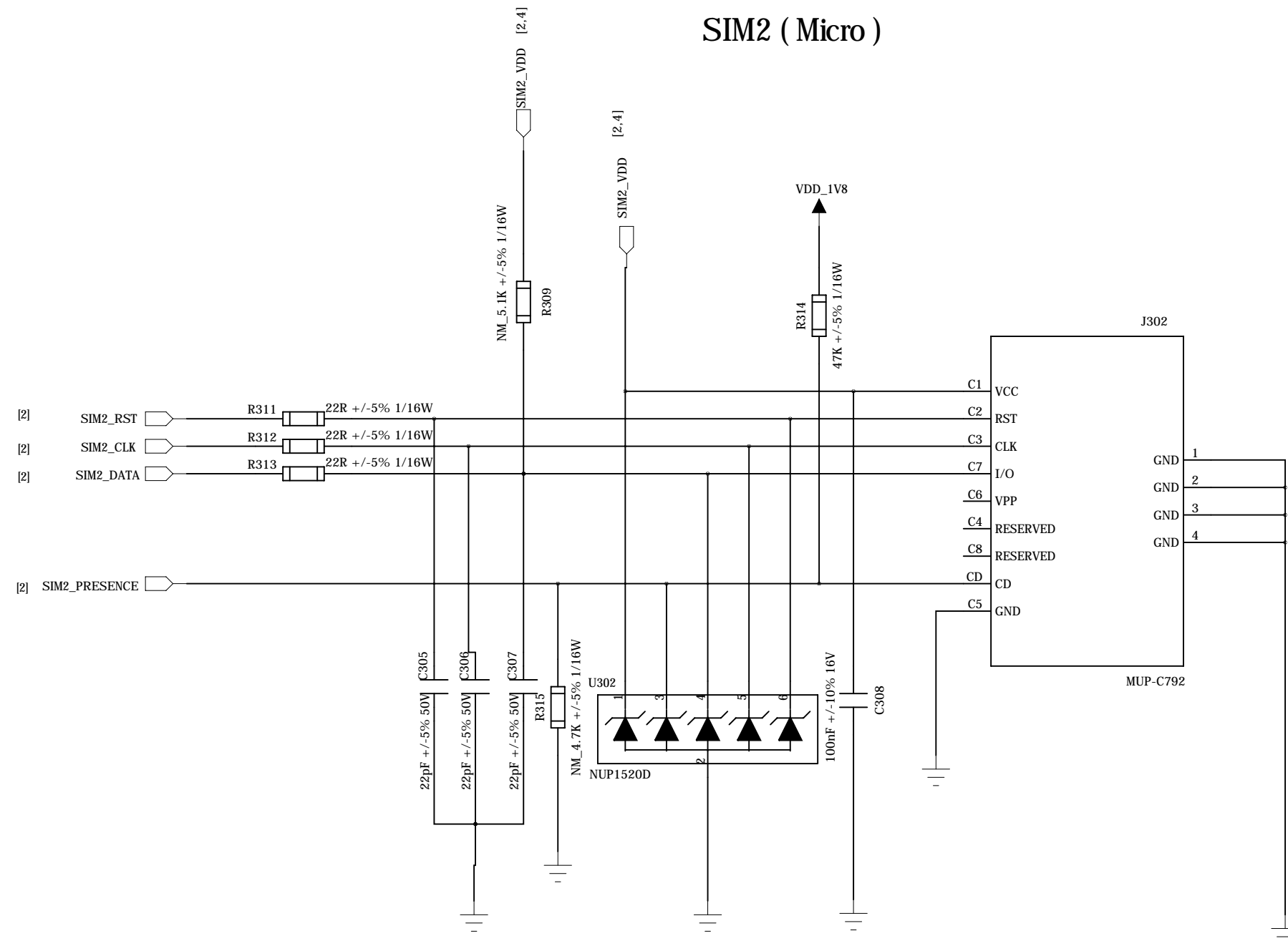
Quectel Wireless Solutions

DRAWN BY Neeson ZHANG/Archibald	PROJECT PCIE-CARD-EVB	TITLE <title>
CHECKED BY Oscar LIU	SIZE A2	VER V2.3
SHEET 3 OF 8	DATE 2020/11/30	

SIM1 (Micro)



SIM2 (Micro)

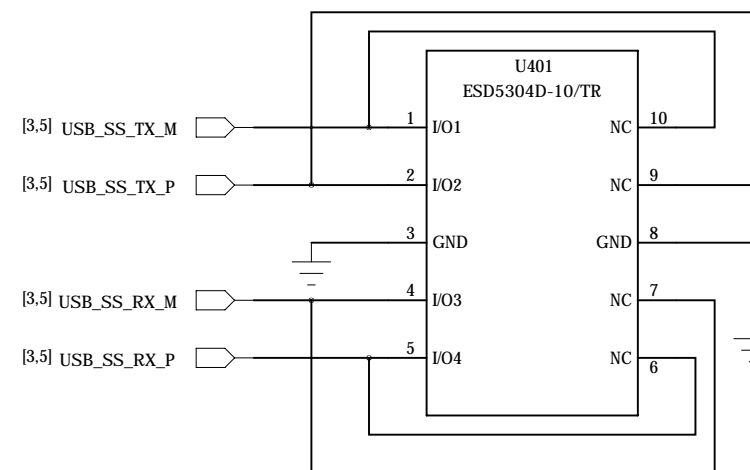
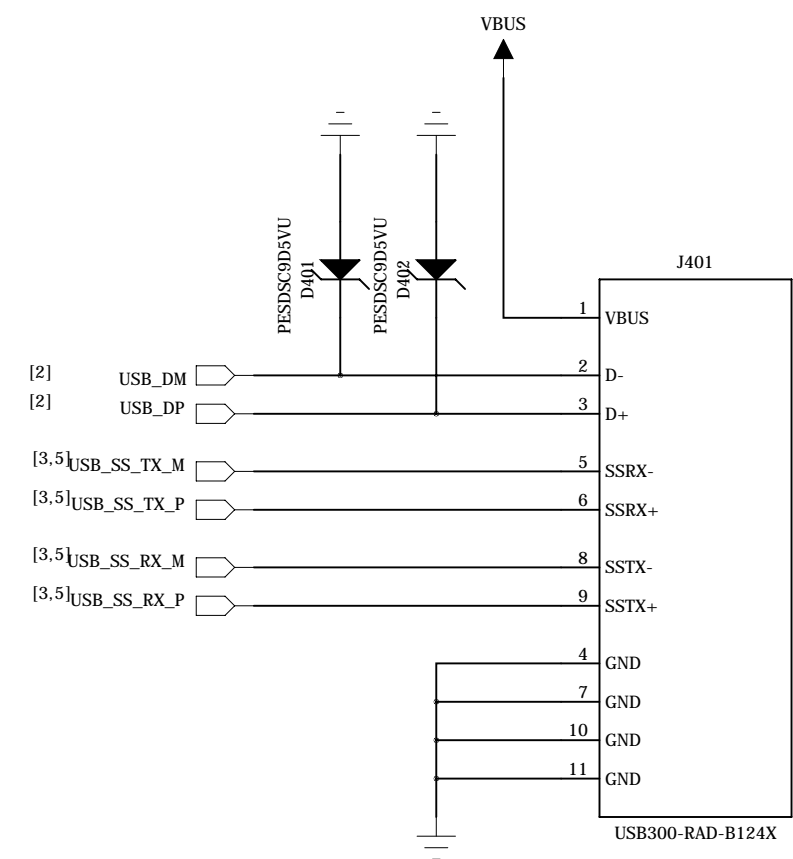


Electric Function	Detect Switch
WITHOUT CARD	CLOSED
CARD INSERTED	OPEN



Quectel Wireless Solutions

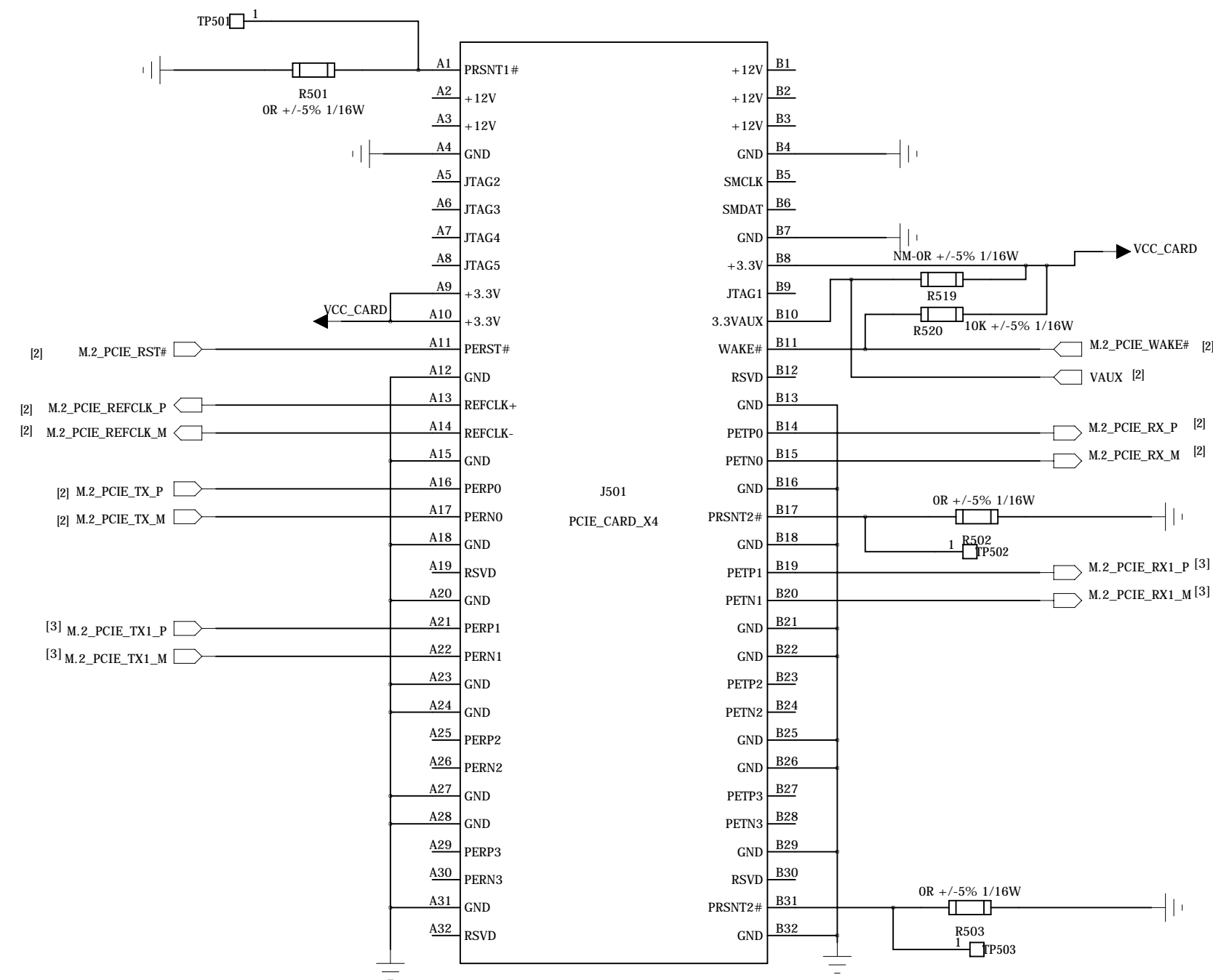
DRAWN BY Neeson ZHANG/Archibald	PROJECT PCIE-CARD-EVB	TITLE <title>
CHECKED BY Oscar LIU	SIZE A2	VER V2.3
SHEET 4 OF 8	DATE 2020/11/30	



Quectel Wireless Solutions

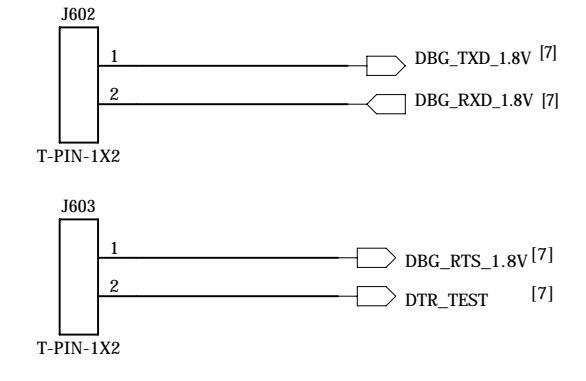
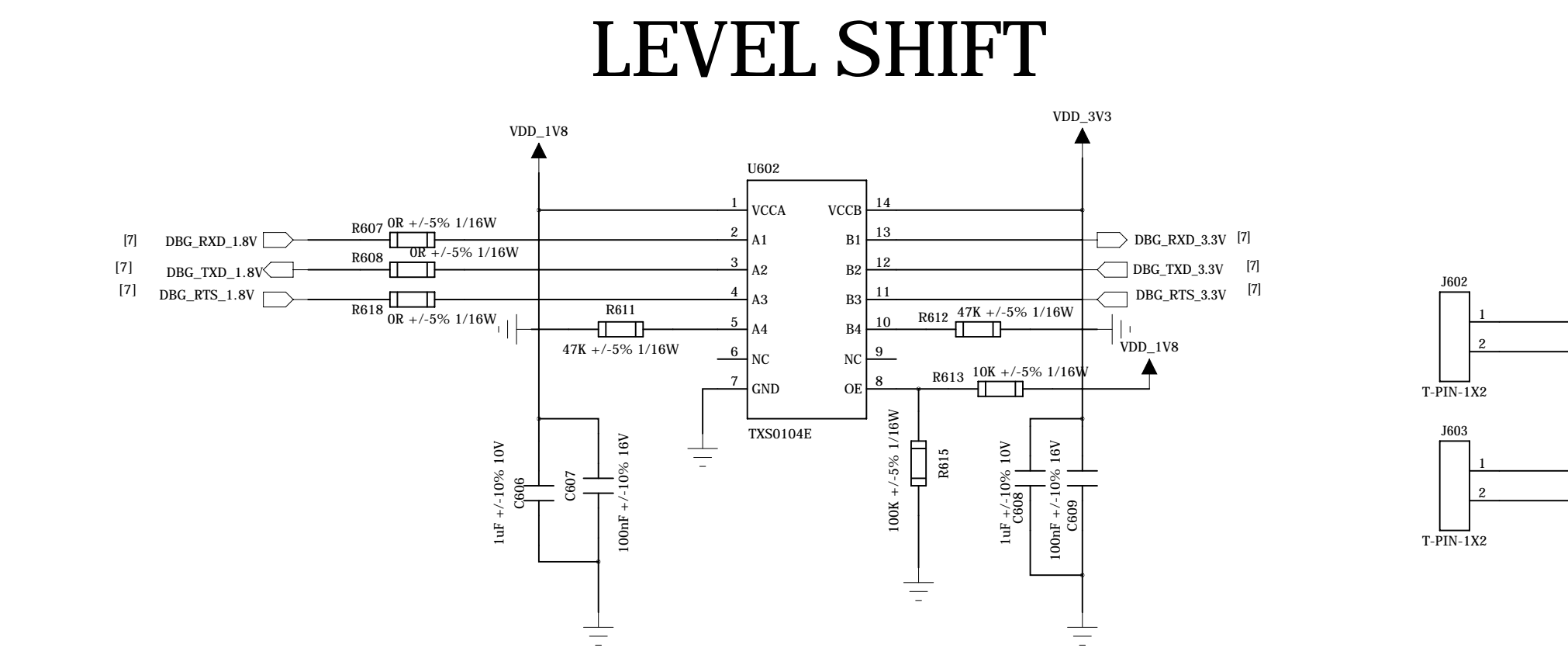
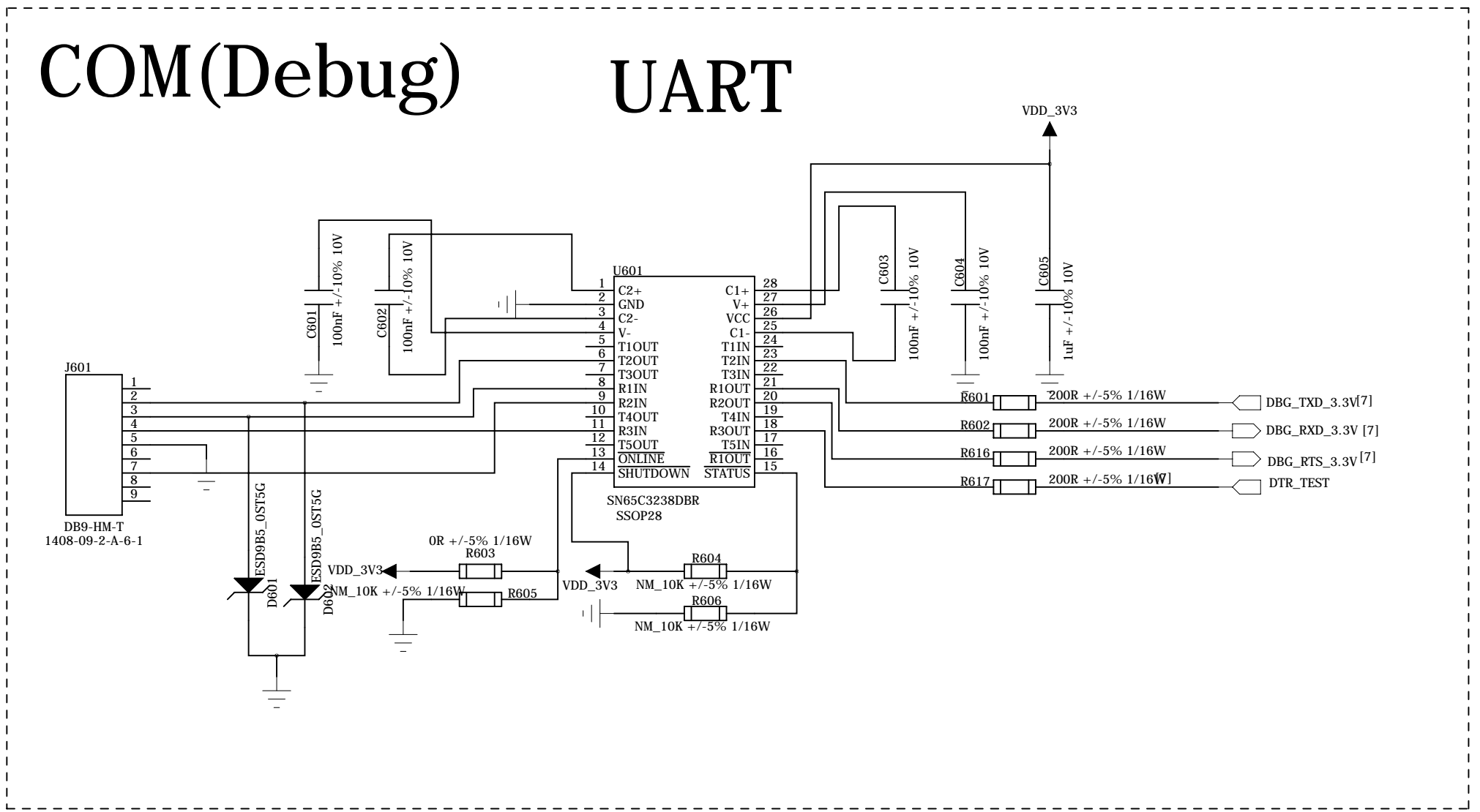
DRAWN BY Neeson ZHANG/Archibald	PROJECT PCIE-CARD-EVB	TITLE <title>
CHECKED BY Oscar LIU	SIZE A2	VER V2.3
SHEET	5 OF 8	DATE 2020/11/30

PCIE CARD X4

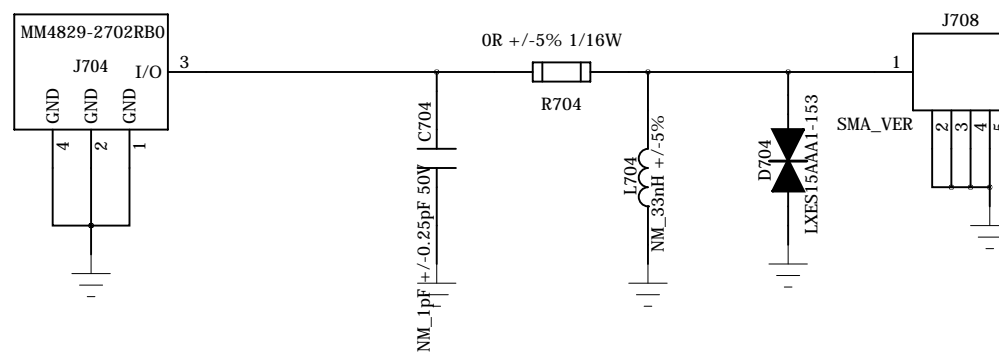
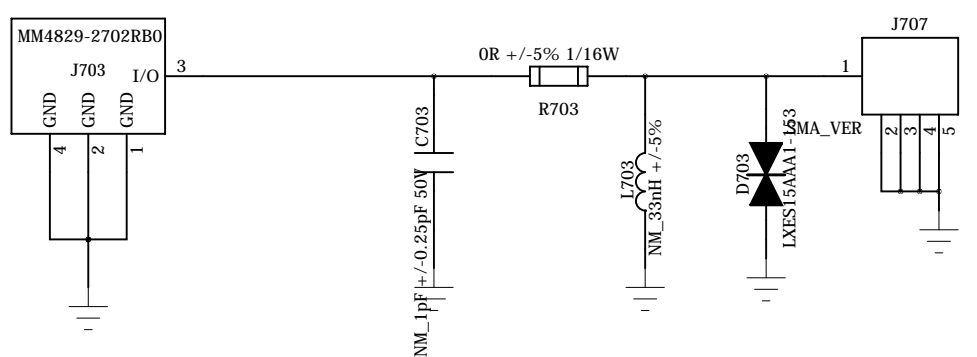
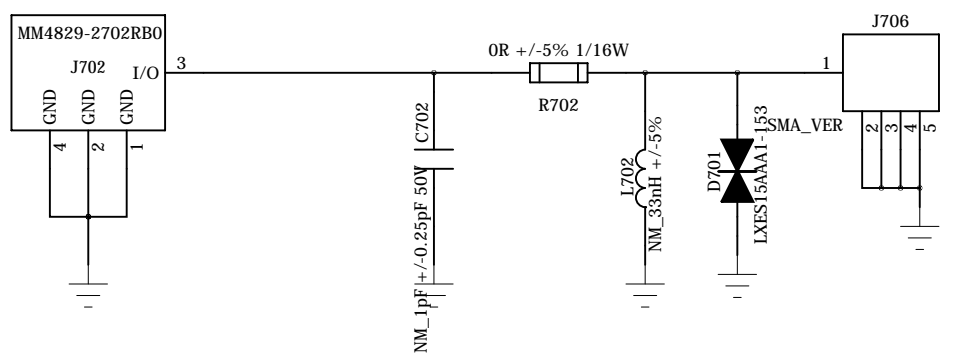
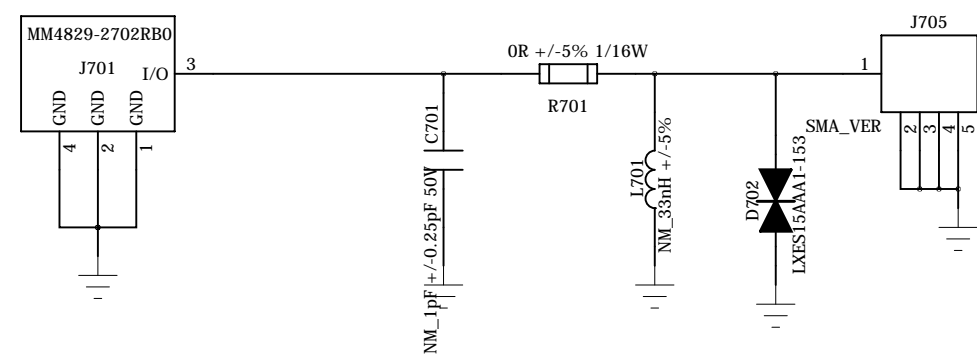


Quectel Wireless Solutions

DRAWN BY Neeson ZHANG/Archibald	PROJECT PCIE-CARD-EVB	TITLE <title>
CHECKED BY Oscar LIU	SIZE A2	VER V2.3
SHEET 6 OF 8		DATE 2020/11/30



Quectel Wireless Solutions		
DRAWN BY Neeson ZHANG/Archibald	PROJECT PCIE-CARD-EVB	TITLE <title>
CHECKED BY Oscar LIU	SIZE A2	VER V2.3
	SHEET 7 OF 8	DATE 2020/11/30



Quectel Wireless Solutions

DRAWN BY Neeson ZHANG/Archibald	PROJECT PCIE-CARD-EVB	TITLE <title>
CHECKED BY Oscar LIU	SIZE A2	VER V2.3
	SHEET 8 OF 8	DATE 2020/11/30