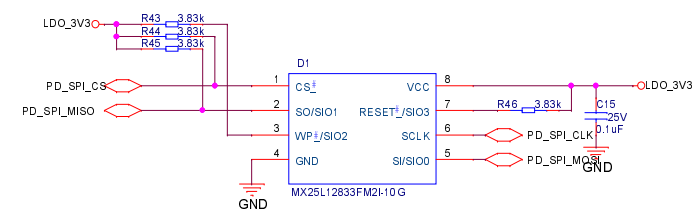
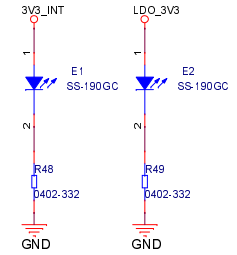


注意CHG_FINISH
 详见BQ25723手册的9.4.1.2与9.6.1节
 When battery is full or battery is not in good condition to charge, host terminates charge by setting CHRG_INHIBIT bit to 1b, or setting ChargeCurrent() to zero.
 因此, 在检测到BQ25723处于上述状态时, 充电完成配置TPS65987D的pin40 GPIO12输出高电平
 BQ25723充电中时, CHRG_INHIBIT状态为0b
 此时, 配置TPS65987D的pin41 GPIO13输出高电平

注意TPS65987D封装。
 PIN 13-14, 3-4, 11-12, 1-2

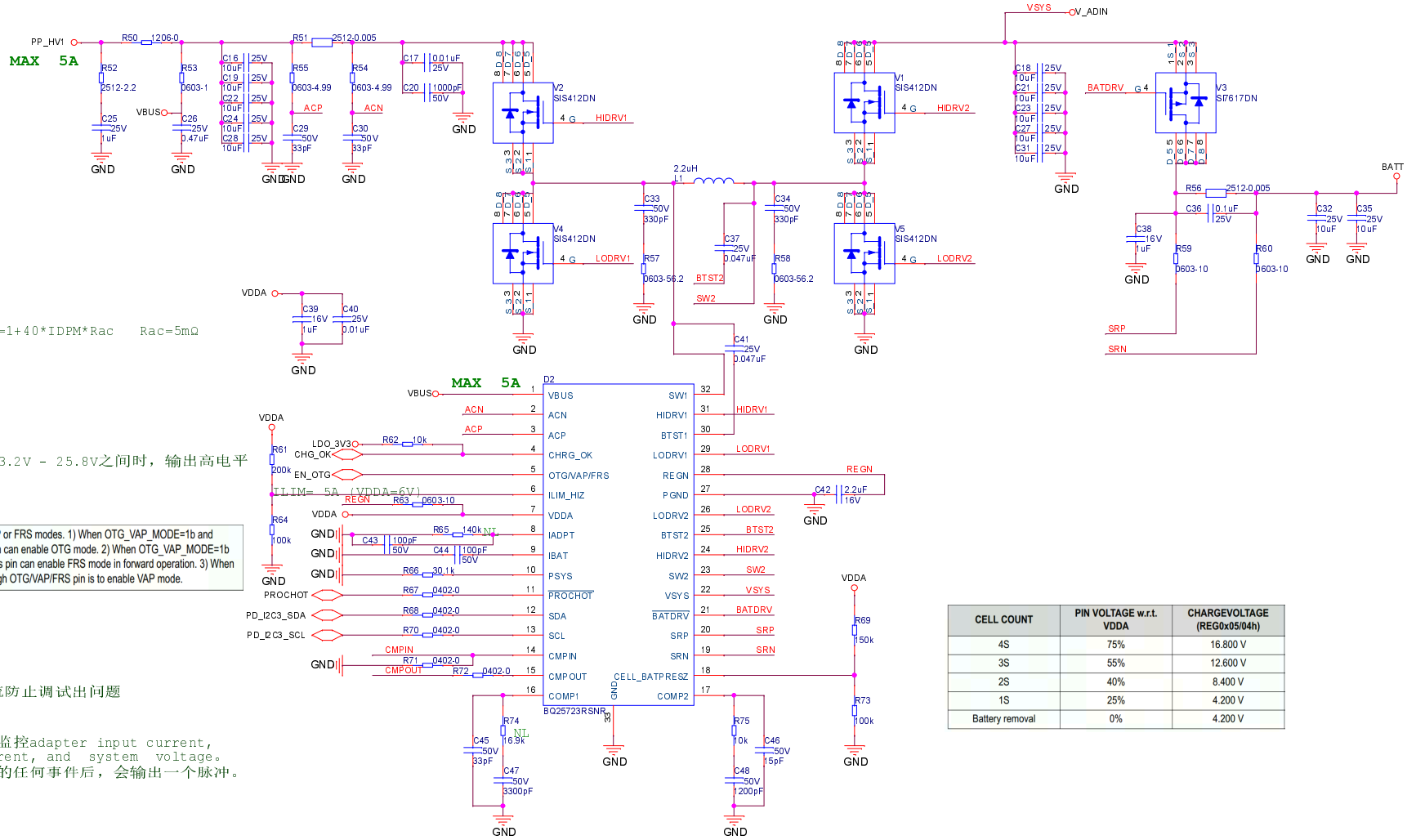


Flash, 存储TPS65987D固件



File		
<Title>		
Size	Document Number	Rev
A3	<Doc>	<Rev Code>
Date:	Tuesday, February 27, 2024	Sheet 2 of 16

CHG



输入电流设置 Pin6: $V6=1+40 \cdot IDPM \cdot R_{ac}$ $R_{ac}=5m\Omega$

CHG_OK: VBUS电压位于3.2V - 25.8V之间时, 输出高电平

EN_OTG: OTG/VAP/FRS

Active HIGH to enable OTG, VAP or FRS modes. 1) When OTG_VAP_MODE=1b and EN_OTG=1b, pulling high this pin can enable OTG mode. 2) When OTG_VAP_MODE=1b and EN_FRF=1b, pulling high this pin can enable FRS mode in forward operation. 3) When OTG_VAP_MODE=0b, pulling high OTG/VAP/FRS pin is to enable VAP mode.

详见手册 9.3.10

PIN9 IBAT

可提前设置一个充电电流防止调出问题

PROCHOT: 低电平有效。监控adapter input current, battery discharge current, and system voltage. 触发PROCHOT配置文件中的任何事件后, 会输出一个脉冲. 详见BQ25723手册.

I2C配置详见手册9.5.1

I2C Register Map 见手册9.6

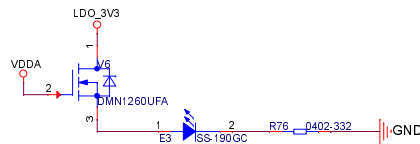
PIN8 IADPT 适配器电流监控输出引脚

表 9-4. Inductor Detection through IADPT Resistance

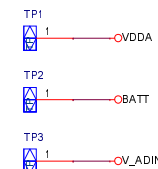
INDUCTOR IN USE	RESISTOR ON IADPT PIN
1 μ H (recommended for 1200 kHz)	90 k Ω
1.5 μ H (recommended for 800 kHz)	121 k Ω
2.2 μ H (recommended for 800 kHz)	137 k Ω or 140 k Ω
3.3 μ H (recommended for 800 kHz)	169 k Ω

PIN9 IBAT

电池电流监控输出引脚



TEST POINTS POWER BQ CHARGER



CELL COUNT	PIN VOLTAGE w.r.t. VDDA	CHARGE VOLTAGE (REG0x05/04h)
4S	75%	16.800 V
3S	55%	12.600 V
2S	40%	8.400 V
1S	25%	4.200 V
Battery removal	0%	4.200 V

Title		<Title>
See A3	Document Number	<Doc>
Date:	Tuesday, February 27, 2024	Sheet 3 of 16
Rev	<Rev Code>	