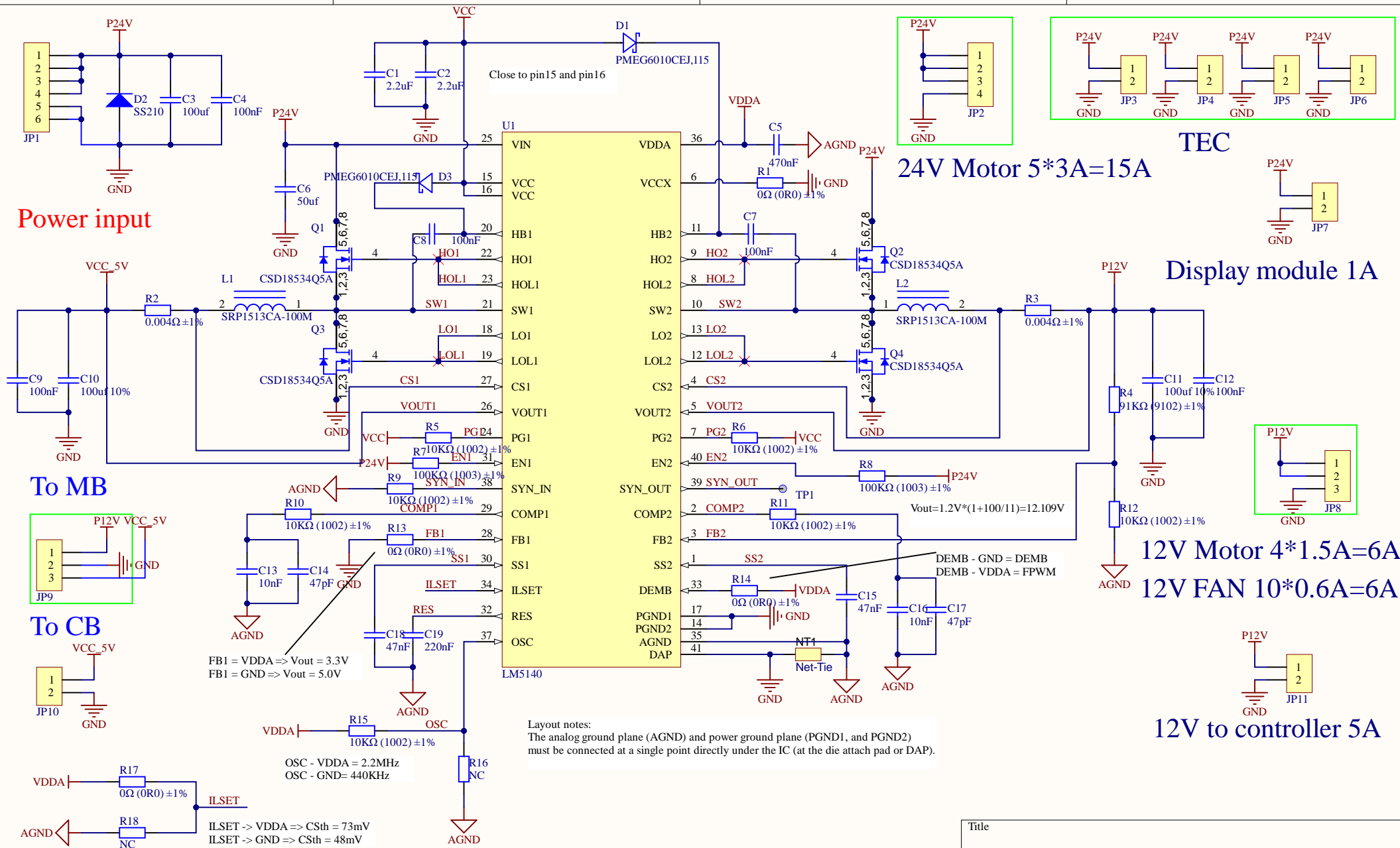


Title		
Size A4	Number	Revision
Date:	7/09/2021	Sheet of
File:	C:\Users\...\01-Block diagram.SchDoc	Drawn By:



Power input

To MB

To CB

24V Motor 5\*3A=15A

TEC

Display module 1A

12V Motor 4\*1.5A=6A

12V FAN 10\*0.6A=6A

12V to controller 5A

Layout notes:  
 The analog ground plane (AGND) and power ground plane (PGND1, and PGND2) must be connected at a single point directly under the IC (at the die attach pad or DAP).

Title		
Size	Number	Revision
A4		
Date:	7/09/2021	Sheet of
File:	C:\Users\...\02-Power.SchDoc	Drawn By: