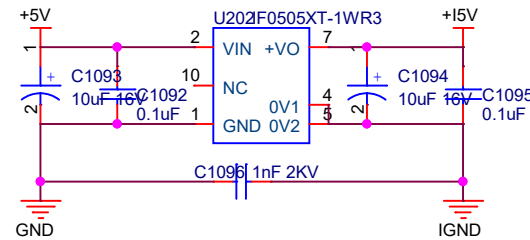
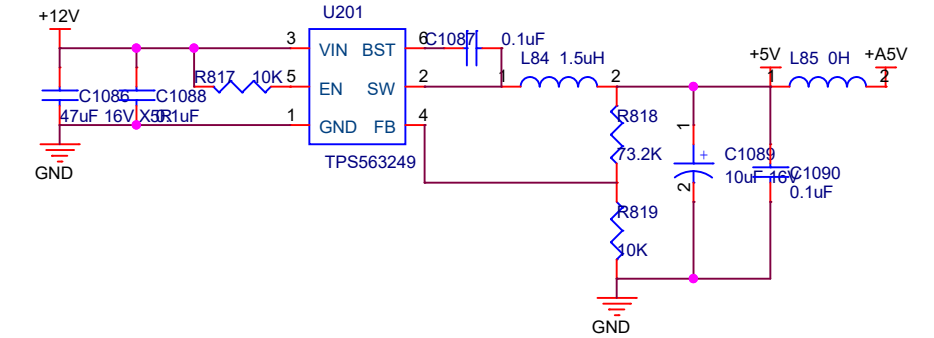
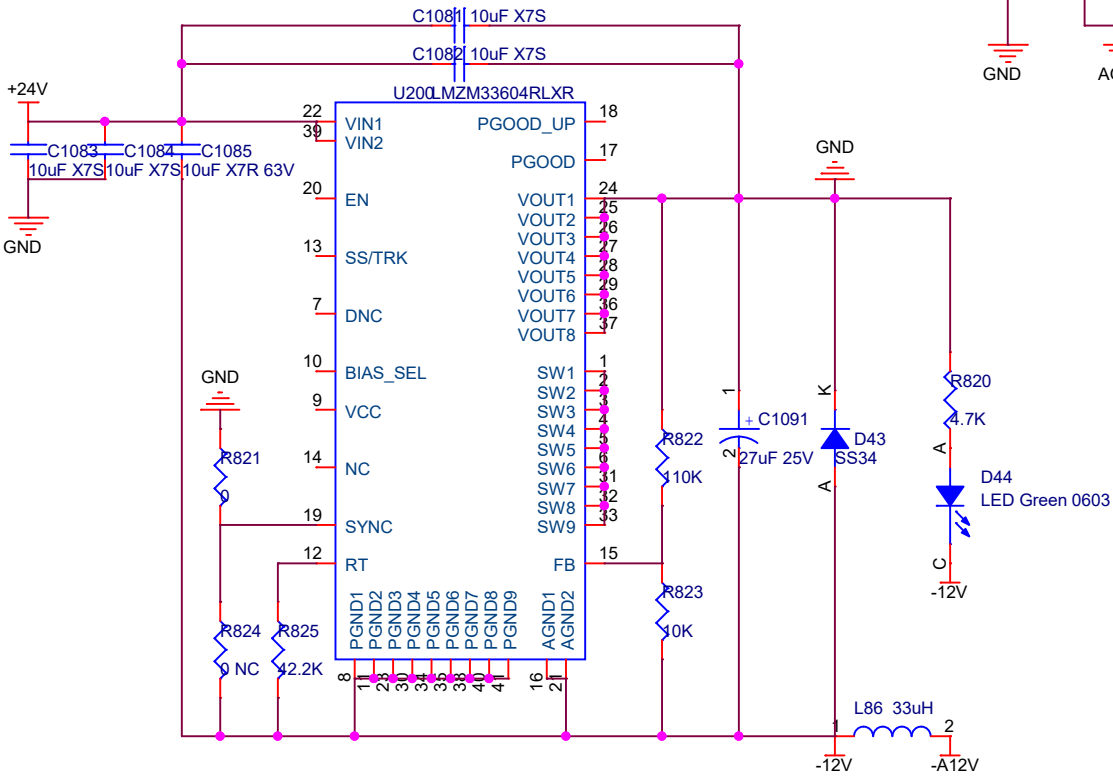
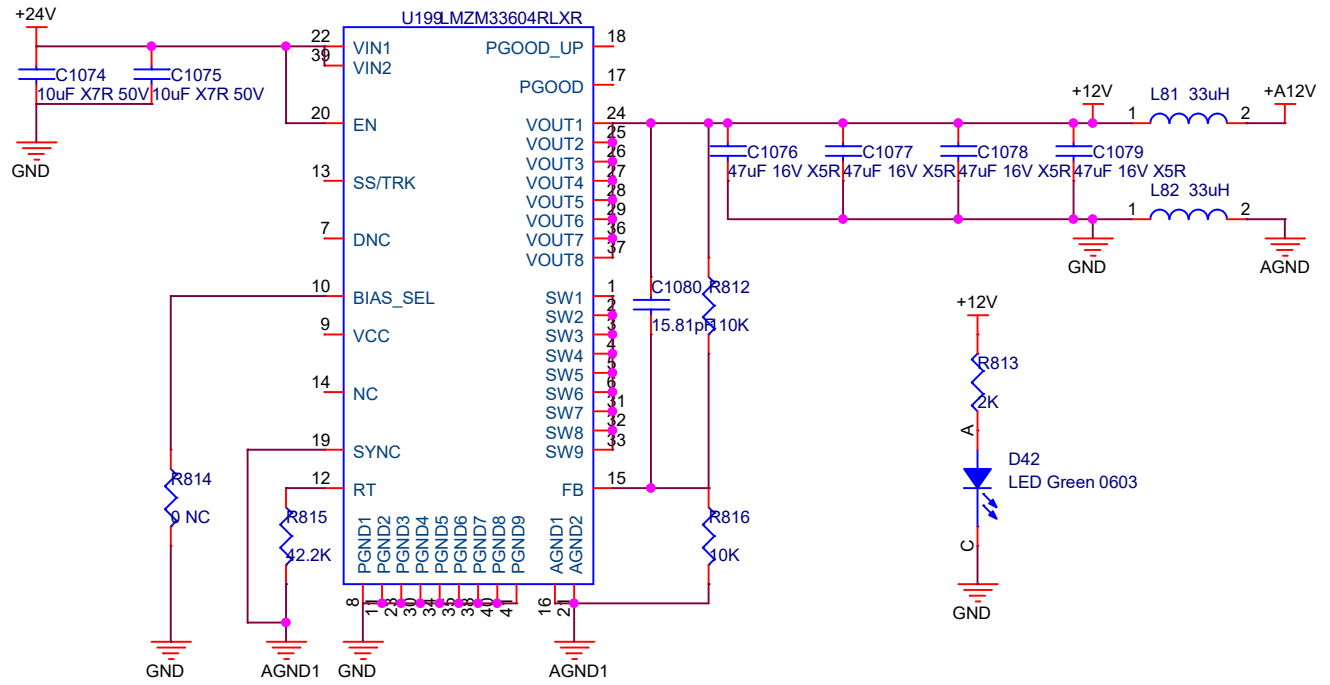
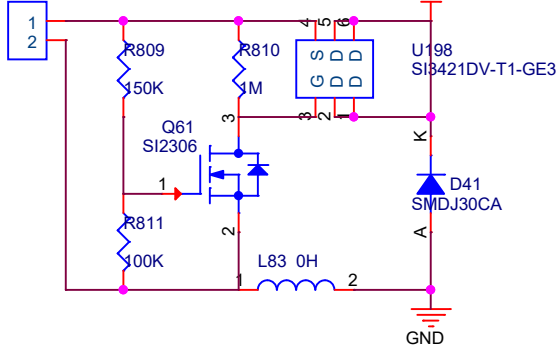


J84  
WJ15EDGRM-3.81-2P



Title			<Title>
Size	Document Number		Rev
A4	<Doc>		<RevC>
Date:	Monday, October 12, 2020	Sheet	27 of 27