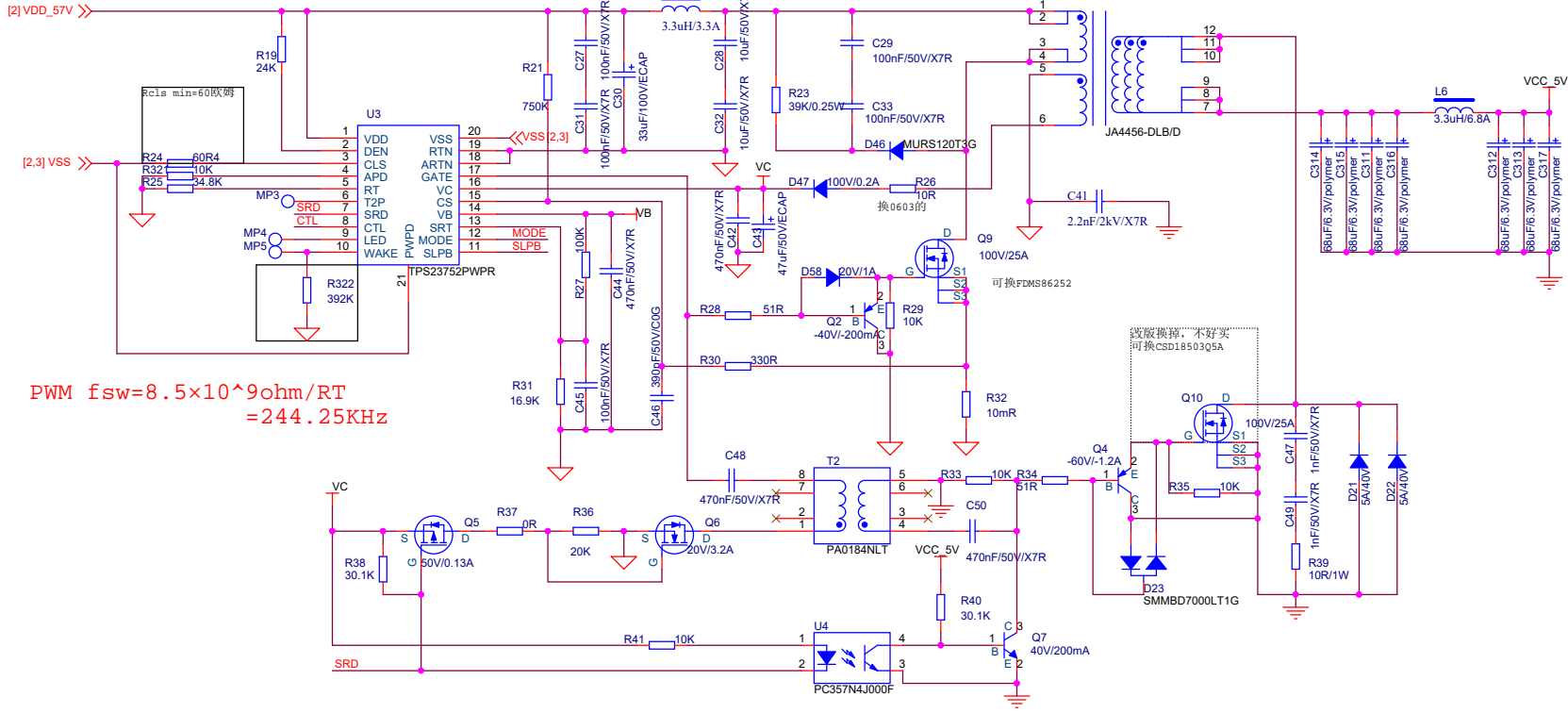
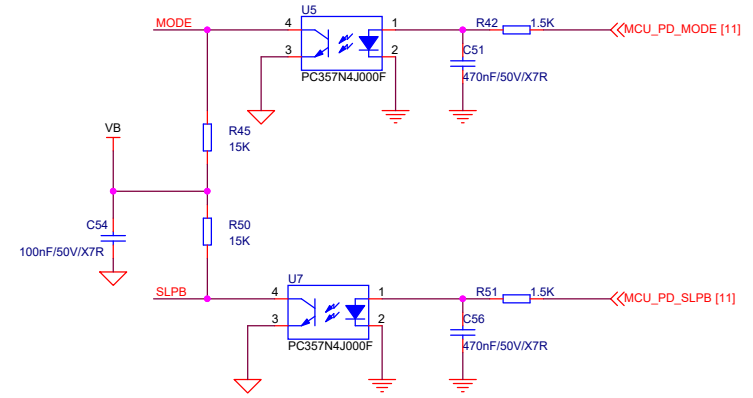
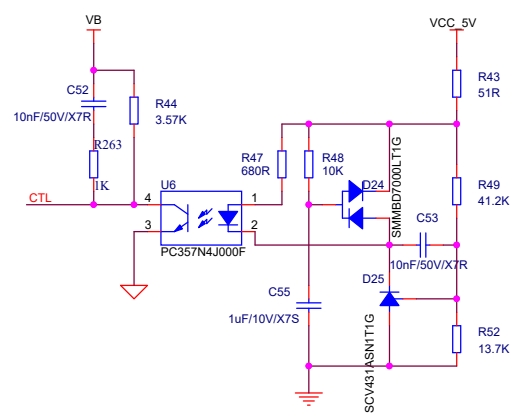


PD+DCDC



5A

$PWM f_{sw} = 8.5 \times 10^9 \text{ohm}/RT = 244.25\text{KHz}$



Title		<Title>
Size	Document Number	Rev
A3	<Doc>	V0.1
Date:	Tuesday, March 31, 2020	Sheet 3 of 14