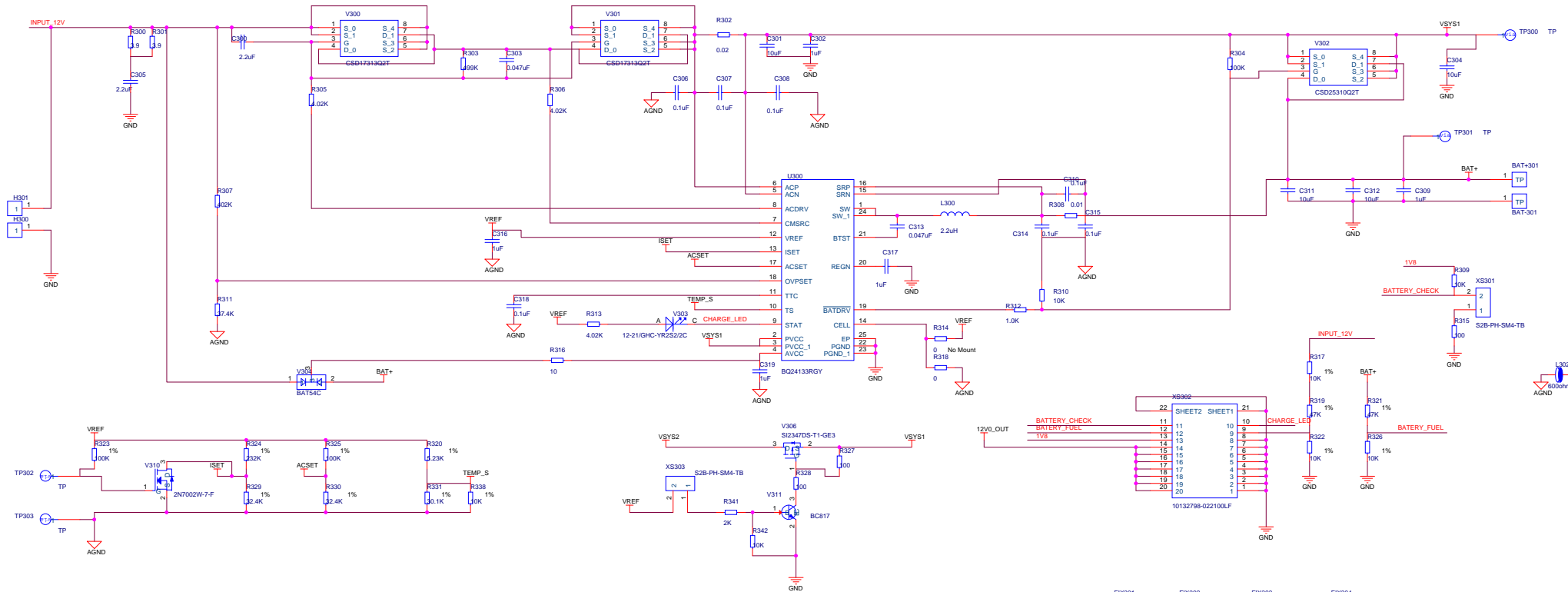


# POWER

## +12V CHARGE CONTROL



## DCDC SYS->+12VOUT

