

6

5

4

3

2

1

D

D

C

C

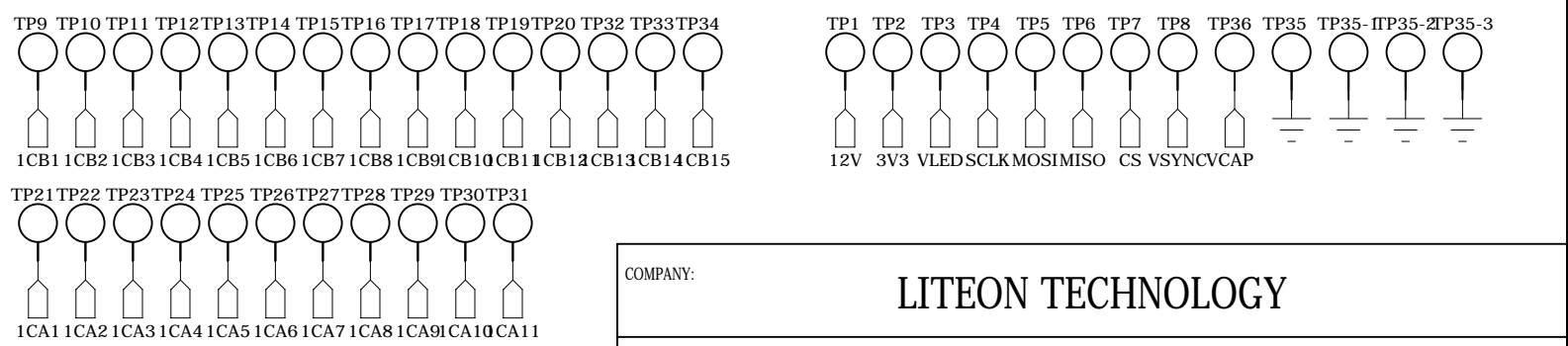
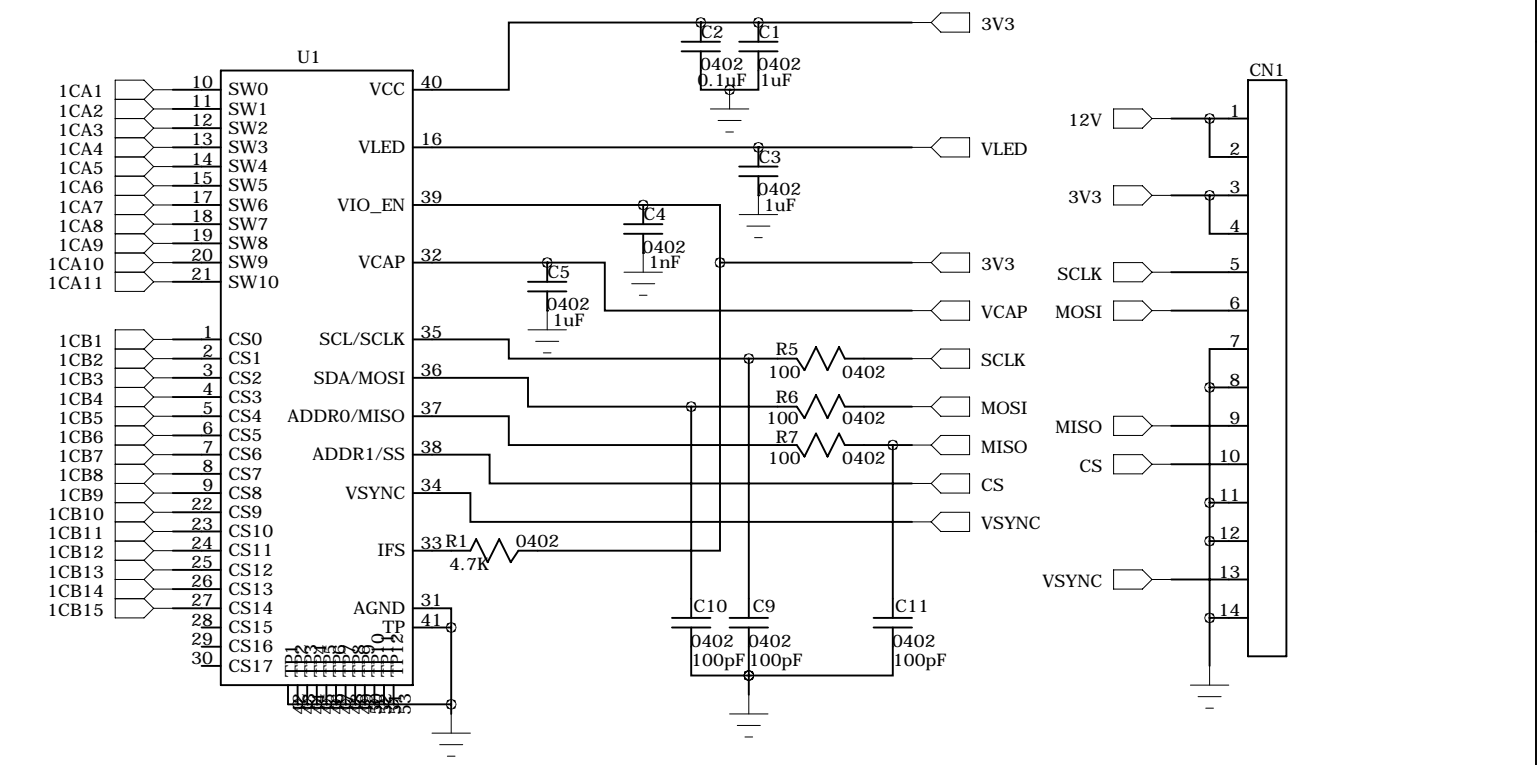
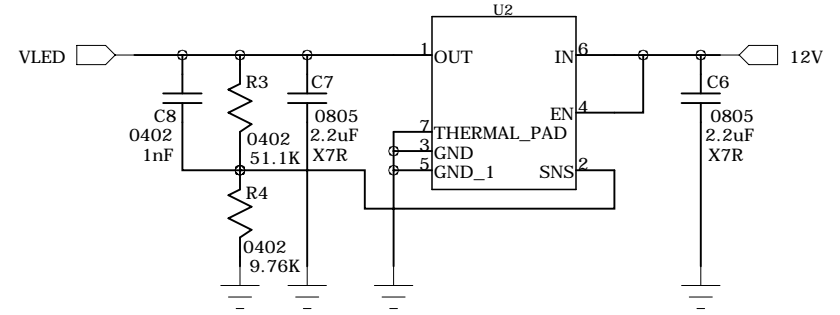
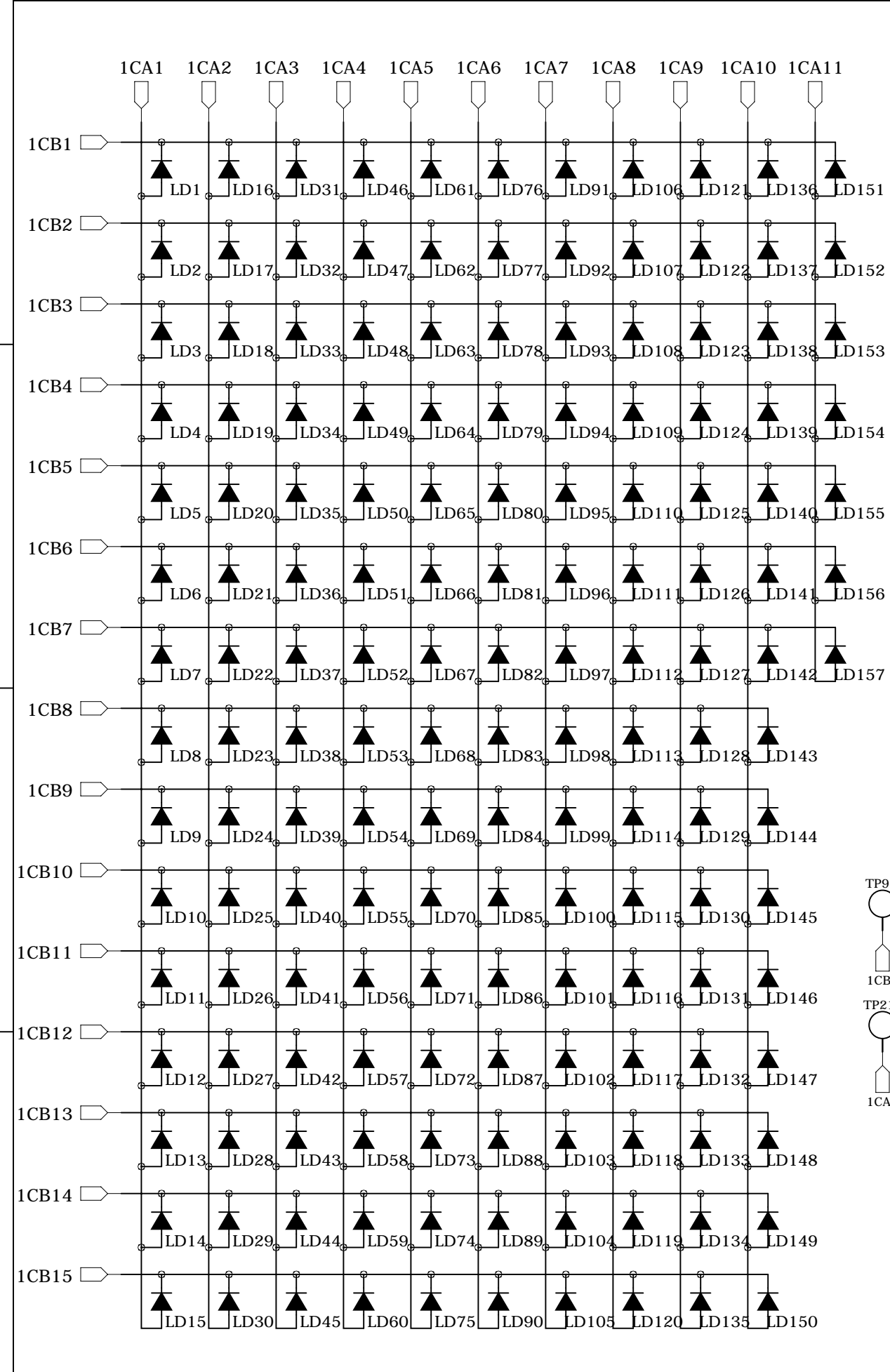
B

B

A

A

REVISION RECORD			
LTR	ECO NO:	APPROVED:	DATE:



COMPANY: LITEON TECHNOLOGY			
TITLE: LTMA-2103SW			
CODE: < Code >	SIZE: A3	DRAWING NO: 01-MA2103	REV: -
SCALE: < Scale >			SHEET: of 1

DRAWN: Richard Lin	DATED: Oct. 17, 2022
CHECKED: < Checked By >	DATED: < Checked Date >
QUALITY CONTROL: < QC By >	DATED: < QC Date >
RELEASED: < Released By >	DATED: < Release Date >