

ARM MPU AM437X Starter Kit EVM

-See the Hardware User Guide for board details
-See the PCB Build Specification for PCB Details

- M5

Screw 4-40, 5/8in
- M6

Screw 4-40, 5/8in
- M7

Screw 4-40, 5/8in
- M8

Screw 4-40, 5/8in

- M1

Hex Nut 4-40
- M2


Hex Nut 4-40
- M3

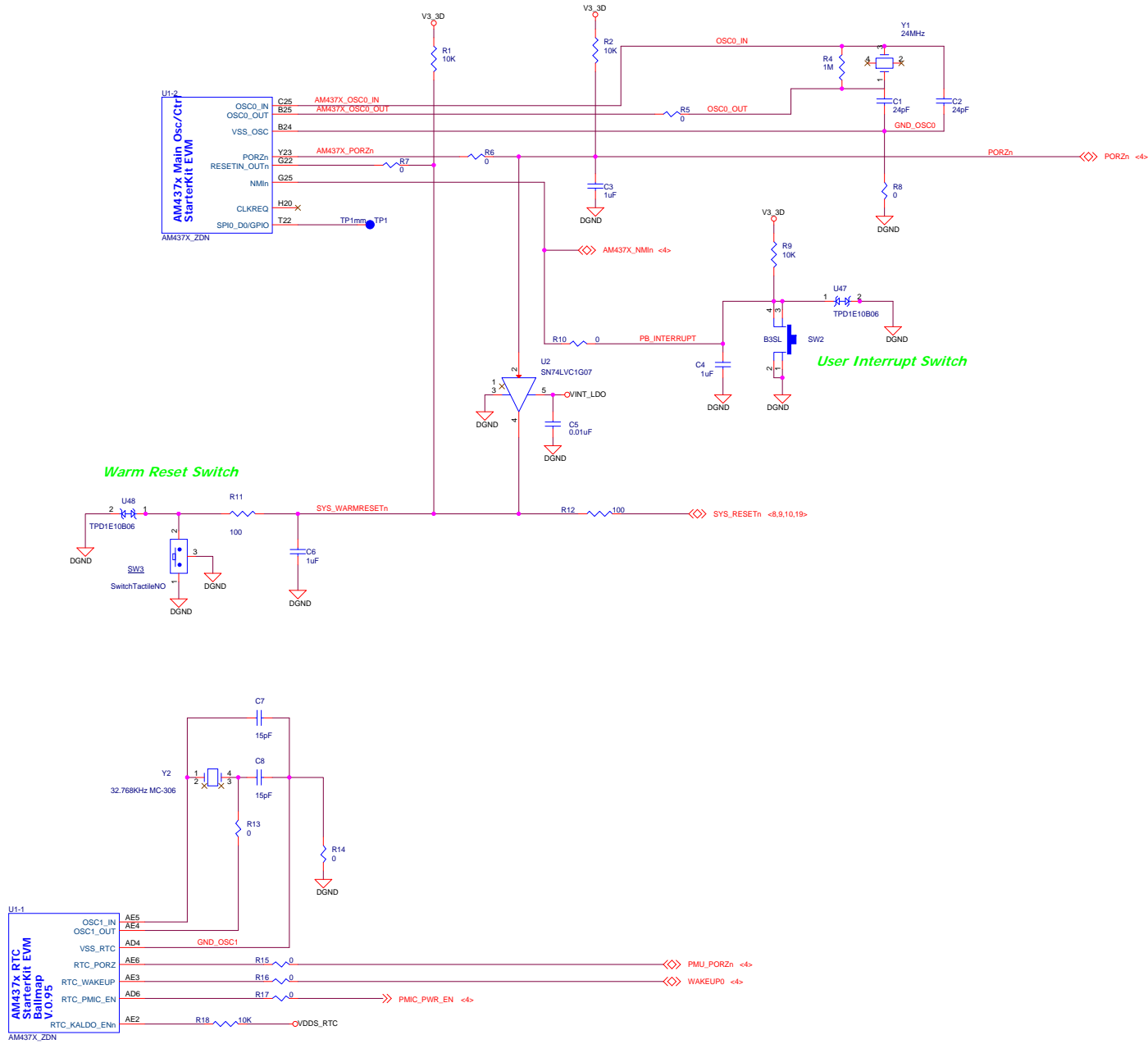
Hex Nut 4-40
- M4

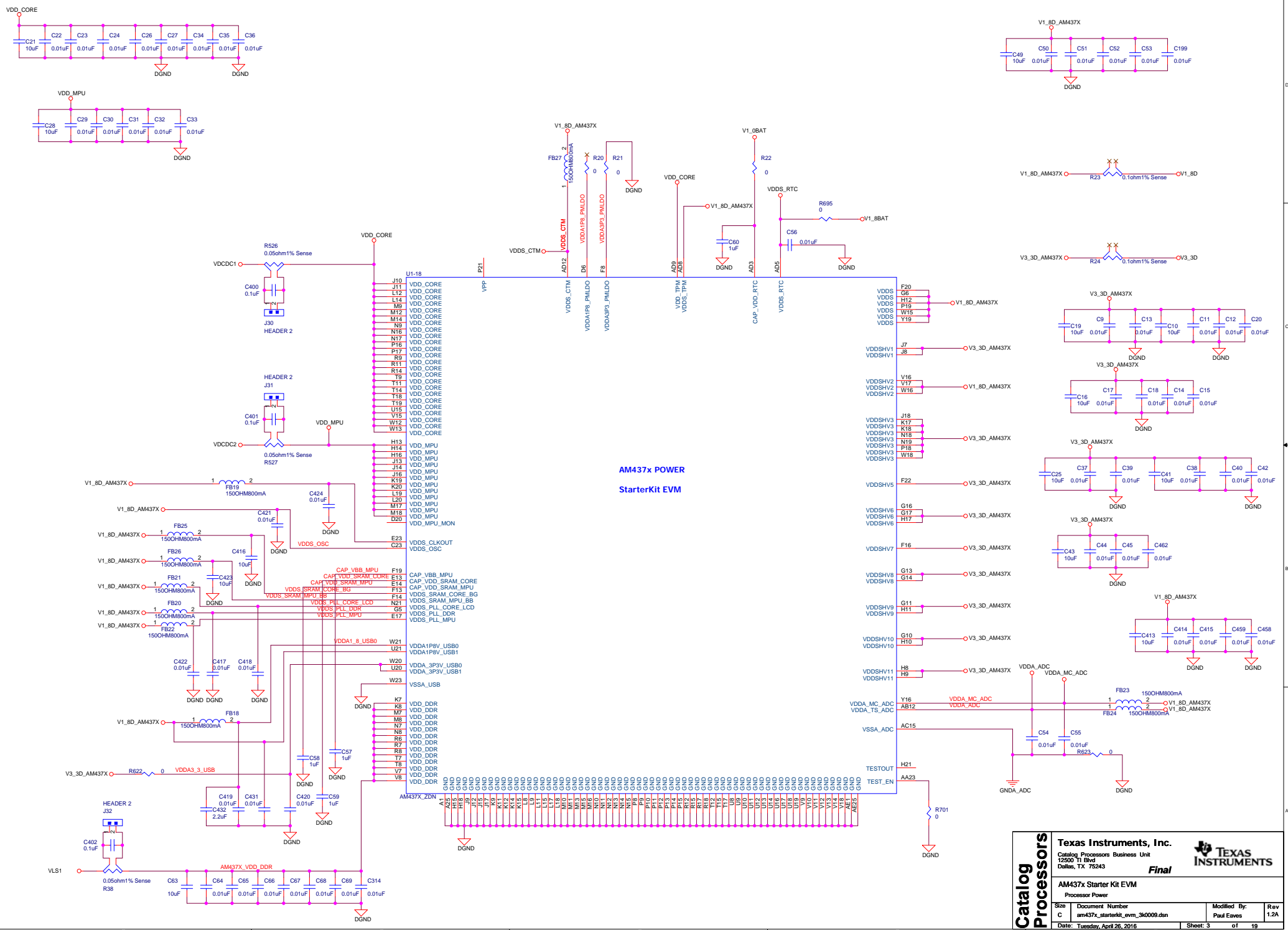
Hex Nut 4-40

PCB1

AM437x Starter Kit Bare PCB

Catalog Processors	Texas Instruments, Inc.			
	Catalog Processors Business Unit 12500 TI Blvd Dallas, TX 75243			
	Final			
	AM437x Starter Kit EVM			
Title Page				
Size	Document Number	Modified By:	Rev	
C	am437x_starterkit_evm_360009.dsn	Paul Eaves	1.2A	
Date: Tuesday, April 26, 2016		Sheet: 1 of 19		





**AM437x POWER
StarterKit EVM**

Catalog Processors

Texas Instruments, Inc.
 Catalog Processors Business Unit
 12500 TI Blvd
 Dallas, TX 75243

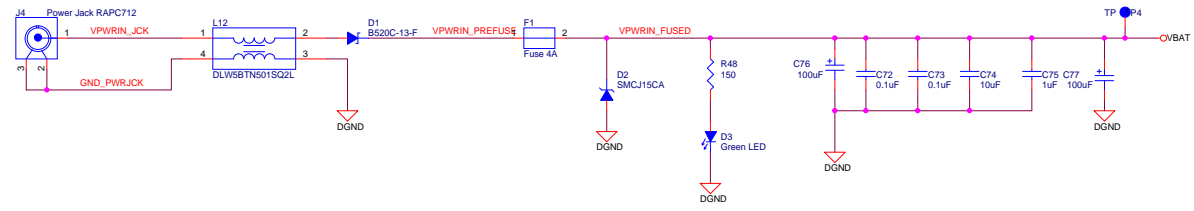
Final

AM437x Starter Kit EVM
 Processor Power

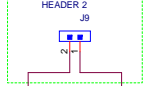
Size	Document Number	Modified By:	Rev
C	am437x_starterkit_evm_3d0009.dsn	Paul Eaves	1.2A

Date: Tuesday, April 26, 2016 Sheet: 3 of 19

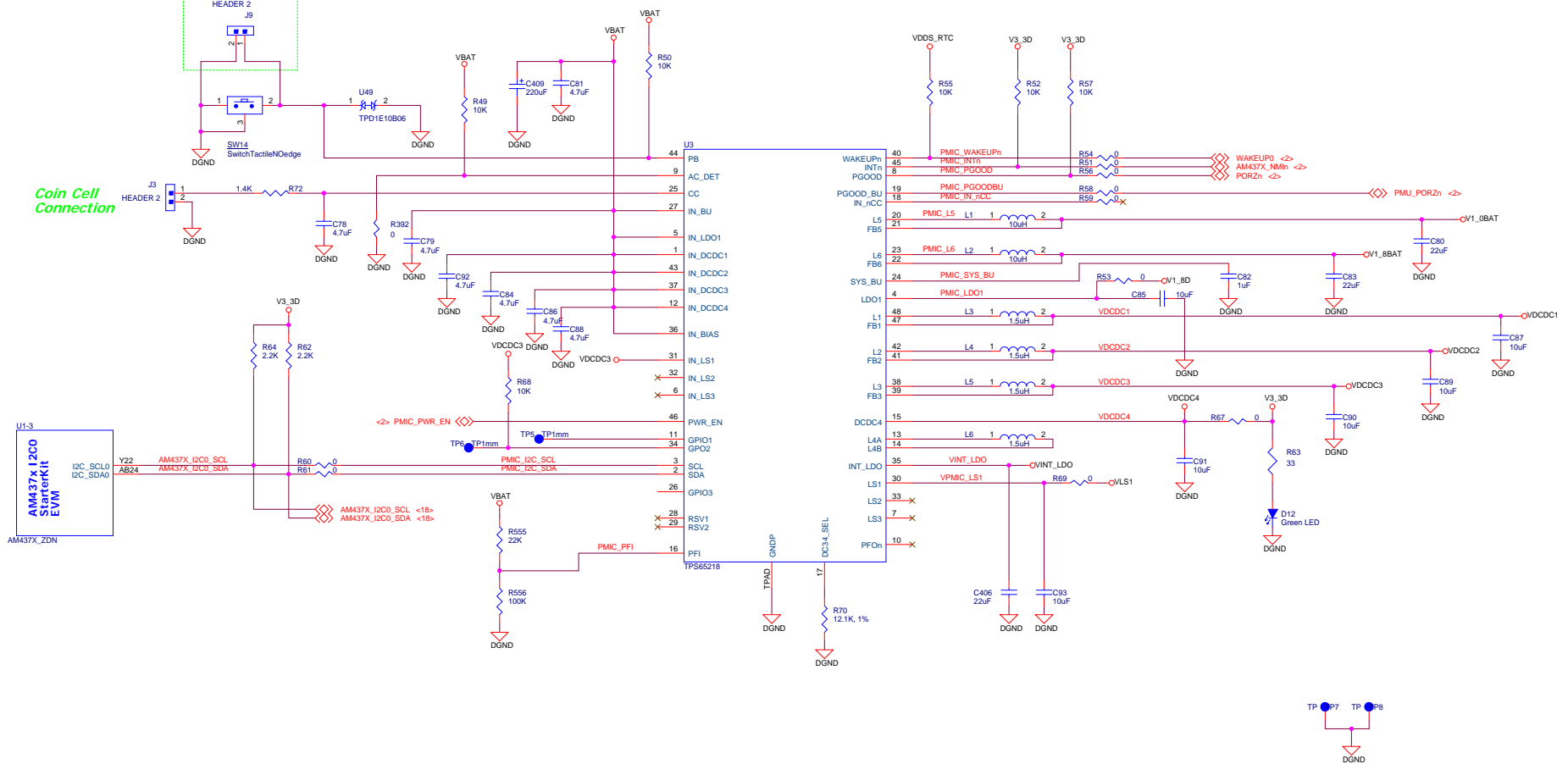
Main Power Input



Test Only



Coin Cell Connection



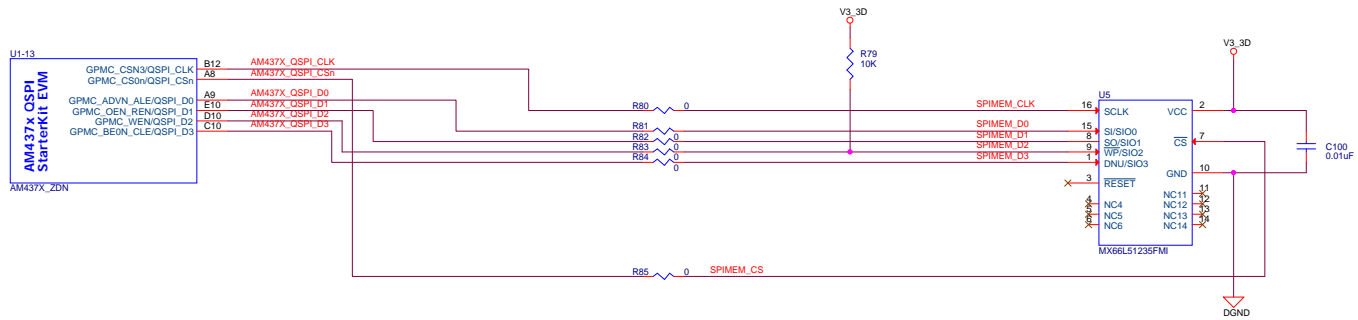
Catalog Processors

Texas Instruments, Inc.
 Catalog Processors Business Unit
 12500 TI Blvd
 Dallas, TX 75243
Final

AM437x Starter Kit EVM

Size	Document Number	Modified By:	Rev
C	am437x_starterkit_evm_3a0009.dsn	Paul Eaves	1.2A

Date: Tuesday, April 26, 2016 Sheet: 4 of 19



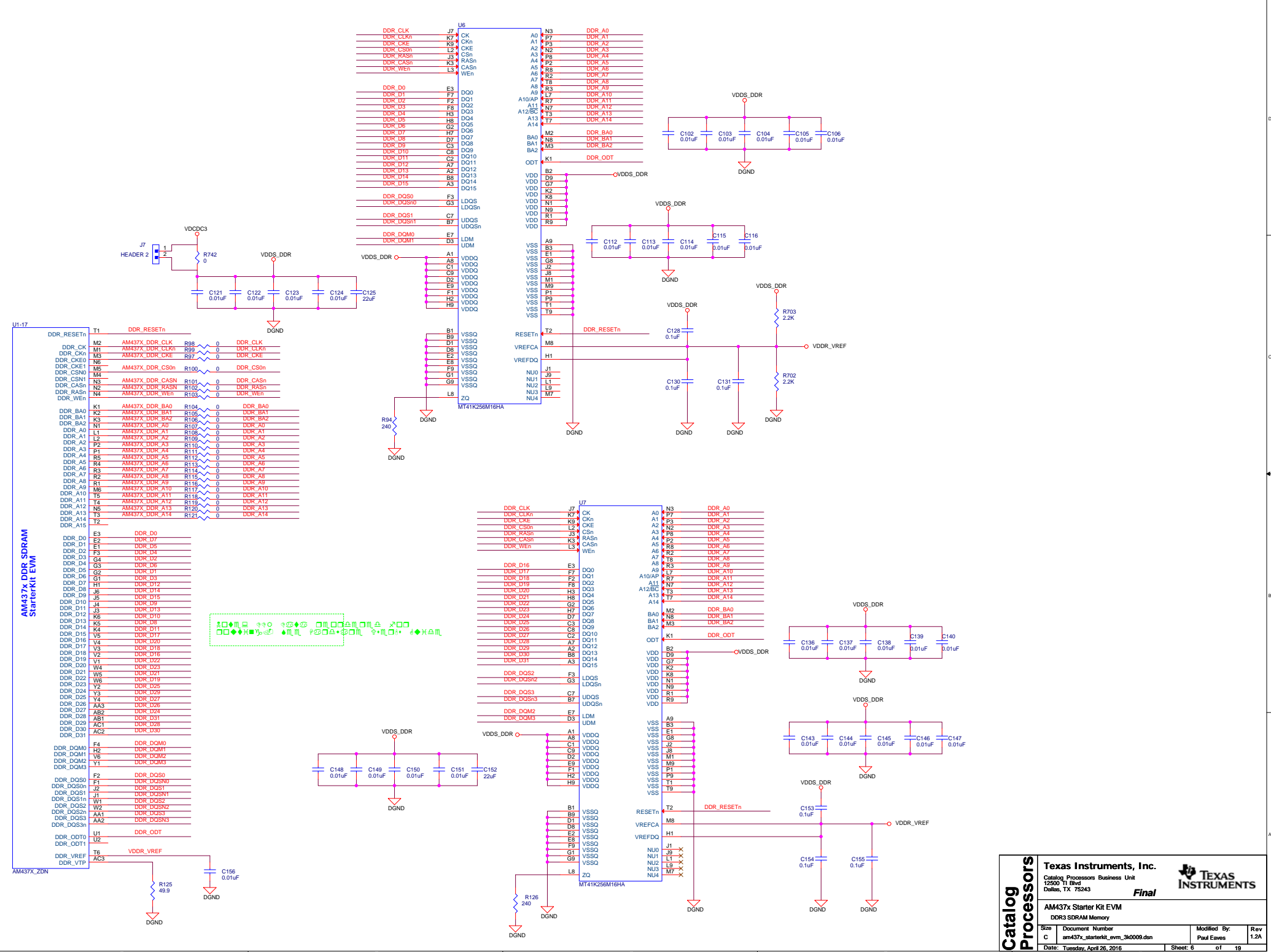
Catalog Processors

Texas Instruments, Inc.
 Catalog Processors Business Unit
 12500 TI Blvd
 Dallas, TX 75243
Final

AM437x Starter Kit EVM
 QSPI NOR Flash Memory

Size	Document Number	Modified By:	Rev
C	am437x_starterkit_evm_3a0009.dsn	Paul Eaves	1.2A

Date: Tuesday, April 26, 2016 Sheet: 5 of 19



AM437x DDR SDRAM StarterKit EVM

AM437X_ZDN

Catalog Processors

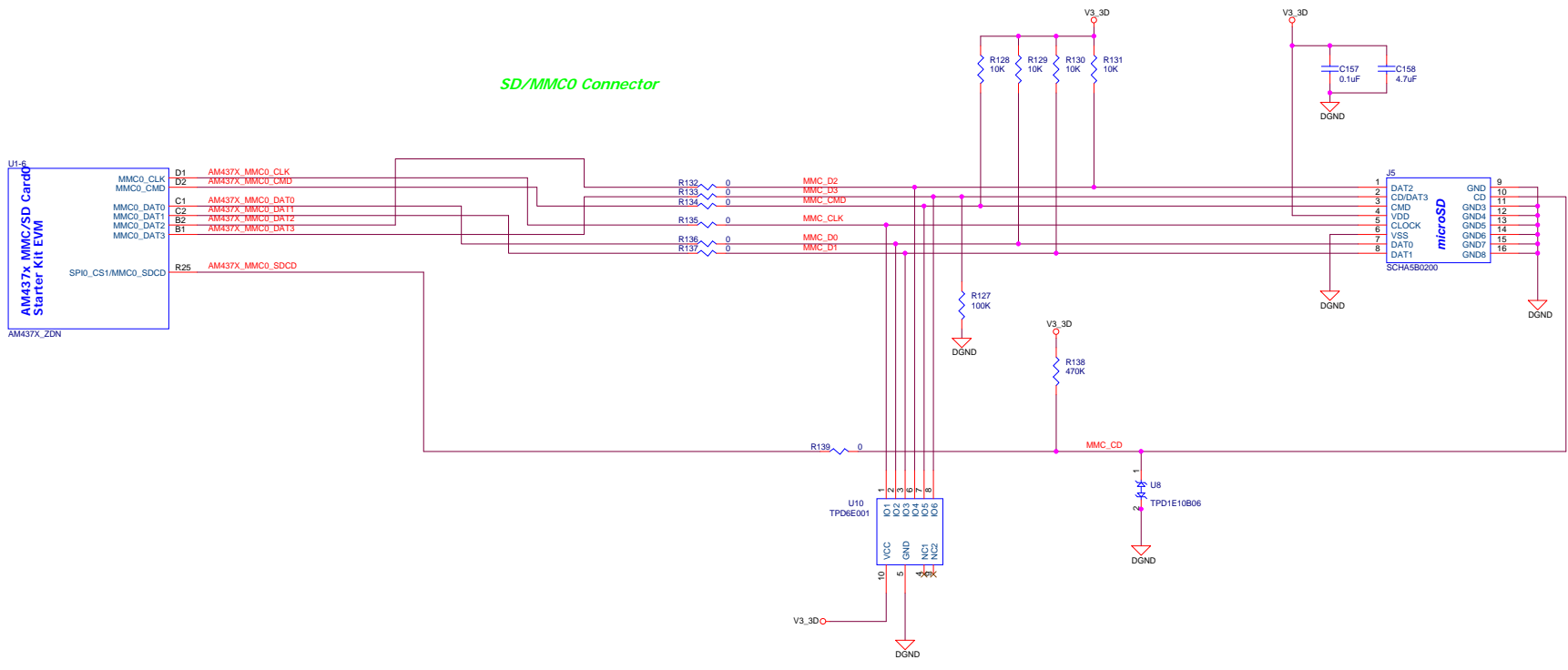
Texas Instruments, Inc.
 Catalog Processors Business Unit
 12500 TI Blvd
 Dallas, TX 75243

Final

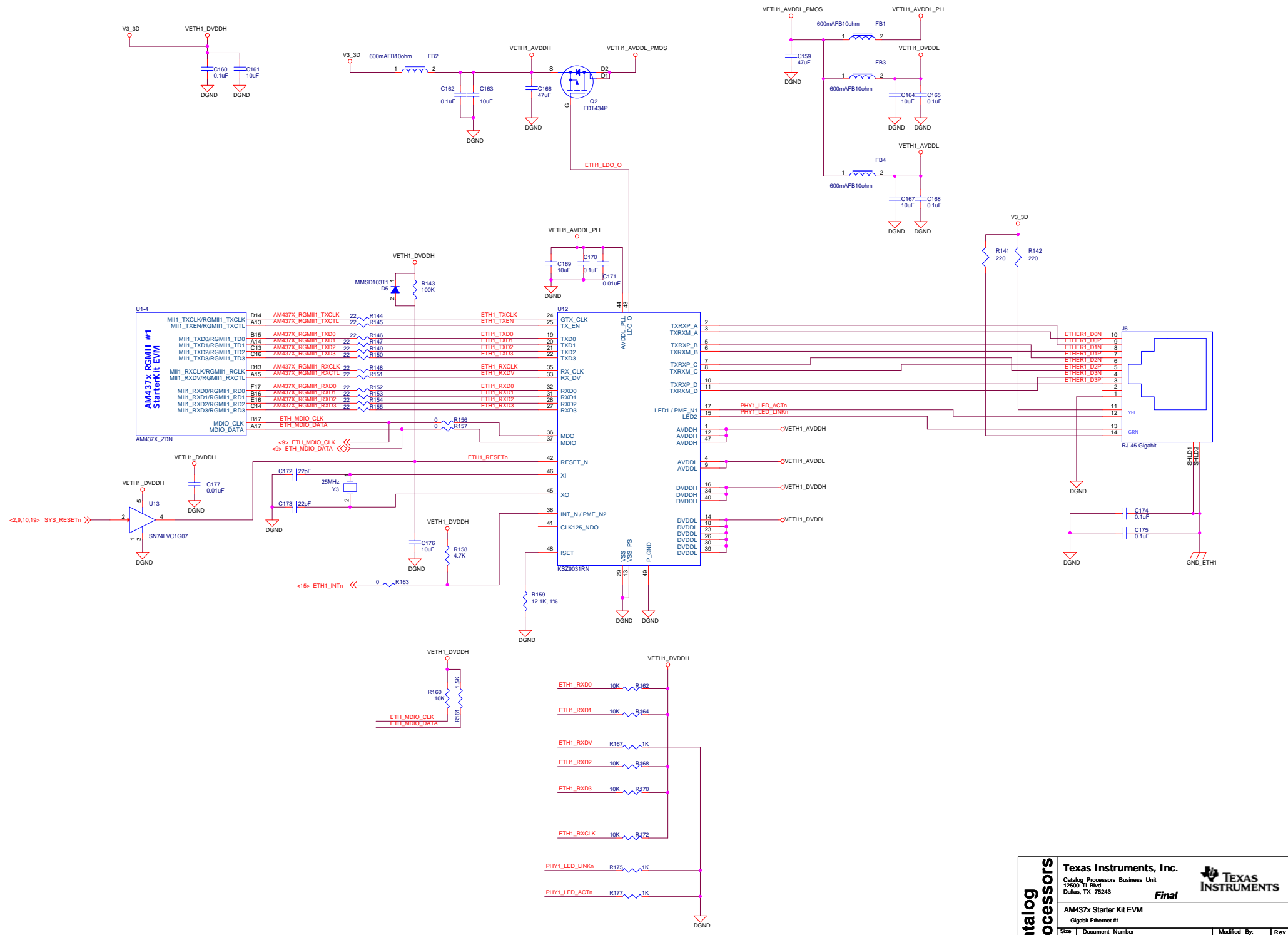
AM437x Starter Kit EVM
 DDR3 SDRAM Memory

Size	Document Number	Modified By:	Rev
C	am437x_starterkit_evm_3a0009.dsn	Paul Eaves	1.2A

Date: Tuesday, April 26, 2016



Catalog Processors	Texas Instruments, Inc.			
	Catalog Processors Business Unit			
	12500 TI Blvd			
	Dallas, TX 75243			
Final				
AM437x Starter Kit EVM				
SDMMC #0 Card				
Size	Document Number	Modified By:	Rev	
C	am437x_starterkit_evm_3a0009.dsn	Paul Eaves	1.2A	
Date:	Tuesday, April 26, 2016	Sheet: 7	of 19	



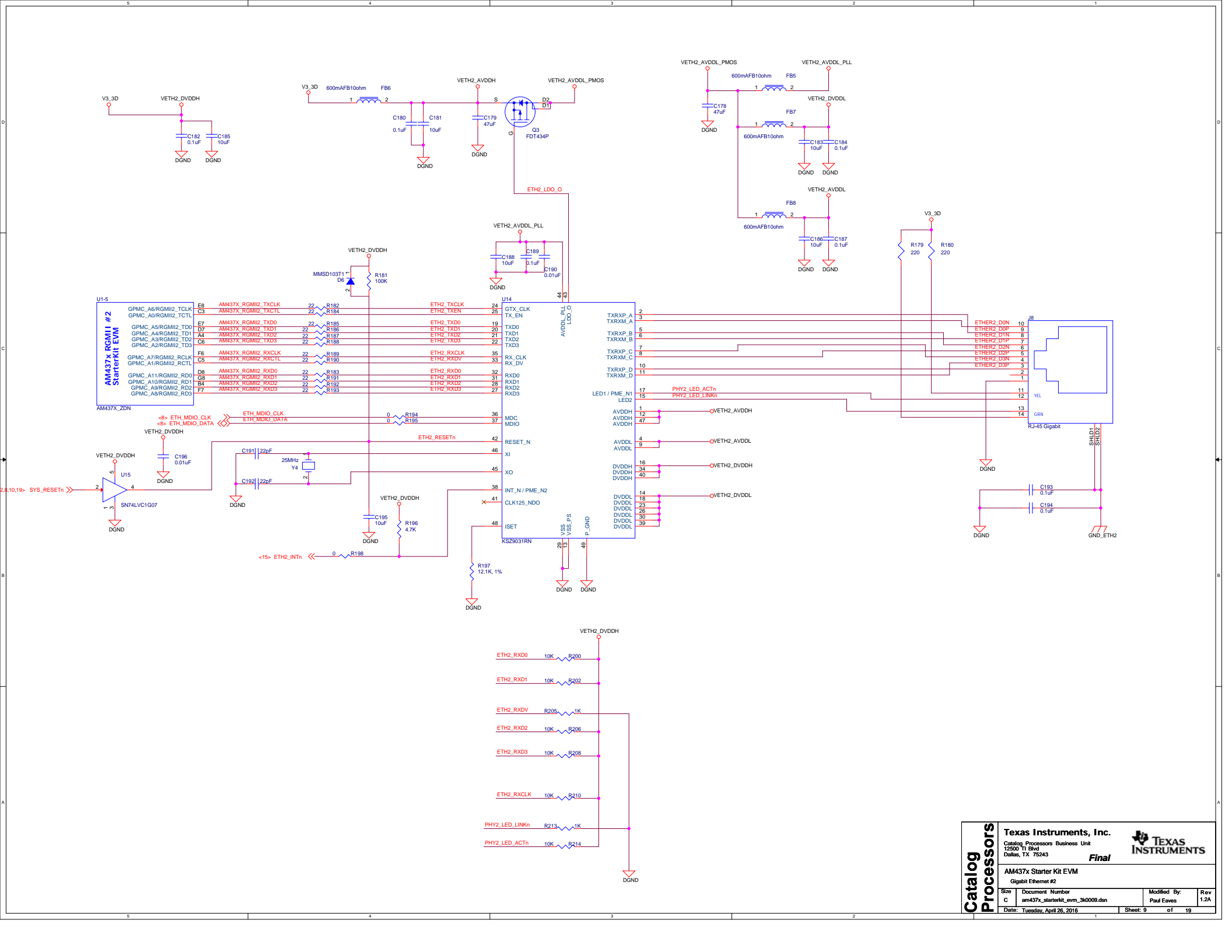
Catalog Processors

Texas Instruments, Inc.
 Catalog Processors Business Unit
 12500 TI Blvd
 Dallas, TX 75243

Final

AM437x Starter Kit EVM
 Gigabit Ethernet #1

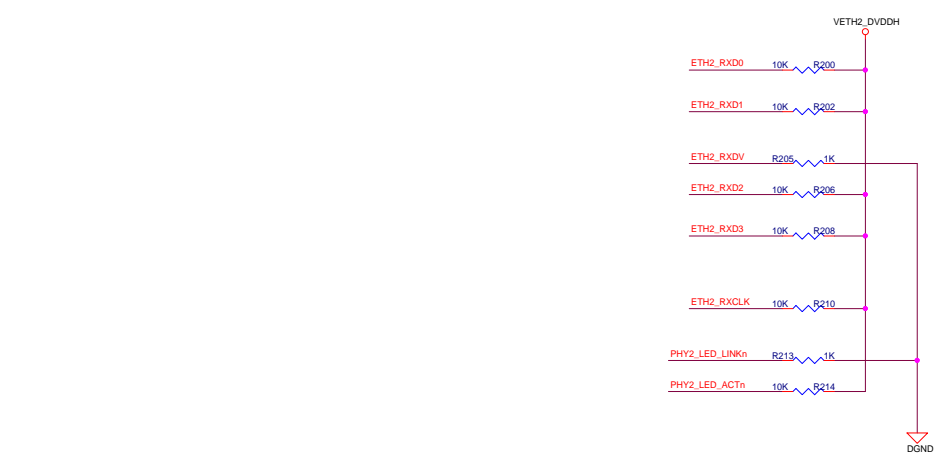
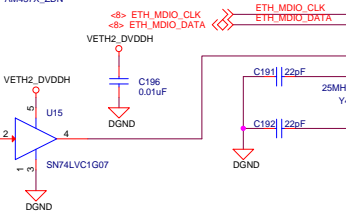
Size	Document Number	Modified By:	Rev
C	am437x_starterkit_evm_3d0009.dsn	Paul Eaves	1.2A
Date:	Tuesday, April 26, 2016	Sheet:	8 of 19



AM437x RGMII #2 Starterkit EVM

GP/MC_A6/RGMII2_TCLK	E8	AM437X_RGMII2_TXCLK	22	R182
GP/MC_A0/RGMII2_TCTL	C3	AM437X_RGMII2_TXCTL	22	R184
GP/MC_A5/RGMII2_TD0	E7	AM437X_RGMII2_TXD0	22	R185
GP/MC_A4/RGMII2_TD1	D7	AM437X_RGMII2_TXD1	22	R186
GP/MC_A3/RGMII2_TD2	A4	AM437X_RGMII2_TXD2	22	R187
GP/MC_A2/RGMII2_TD3	C6	AM437X_RGMII2_TXD3	22	R188
GP/MC_A7/RGMII2_RCLK	F6	AM437X_RGMII2_RXCLK	22	R189
GP/MC_A1/RGMII2_RCTL	C5	AM437X_RGMII2_RXCTL	22	R190
GP/MC_A11/RGMII2_RD0	D8	AM437X_RGMII2_RXD0	22	R183
GP/MC_A10/RGMII2_RD1	G8	AM437X_RGMII2_RXD1	22	R191
GP/MC_A9/RGMII2_RD2	B4	AM437X_RGMII2_RXD2	22	R192
GP/MC_A8/RGMII2_RD3	F7	AM437X_RGMII2_RXD3	22	R193

AM437X_ZDN



Catalog Processors

Texas Instruments, Inc.
 Catalog Processors Business Unit
 12500 TI Blvd
 Dallas, TX 75243
Final

AM437x Starter Kit EVM
 Gigabit Ethernet #2

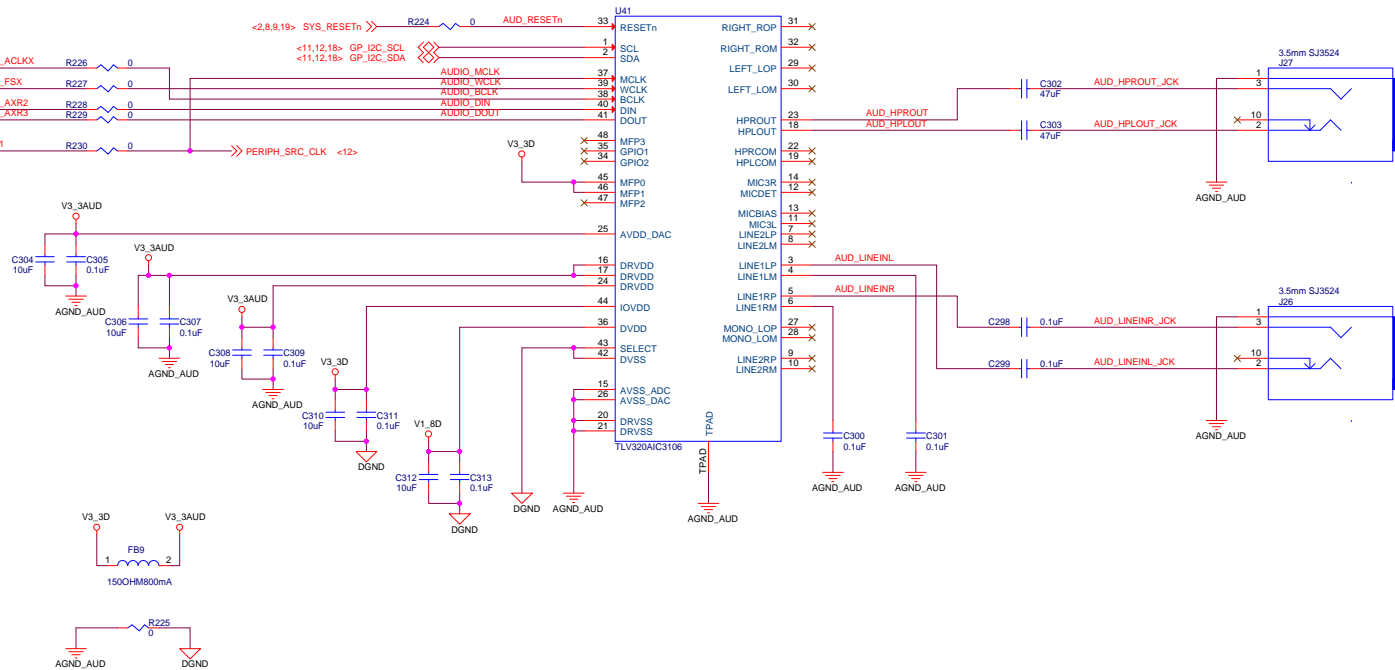
Size	Document Number	Modified By:	Rev
C	am437x_starterkit_evm_3a0009.dsn	Paul Eaves	1.2A

Date: Tuesday, April 26, 2016
 Sheet: 9 of 19

U1-14
AM437x McASP1 StarterKit EVM

GMIH1_CRS/MCASP1_ACLKX	B14	AM437X_MCASP1_ACLKX	R226	0
GMIH1_RXERR/MCASP1_FSX	B13	AM437X_MCASP1_FSX	R227	0
GMIH1_COL/MCASP1_AXR2	D16	AM437X_MCASP1_AXR2	R228	0
RMIH1_REFCLK/MCASP1_AXR3	A16	AM437X_MCASP1_AXR3	R229	0
XDMA_EVENT_INTR0/CLKOUT1	D24	AM437X_CLKOUT1	R230	0

AM437X_ZDN



Audio Headphone Out

Audio Line in

Catalog Processors

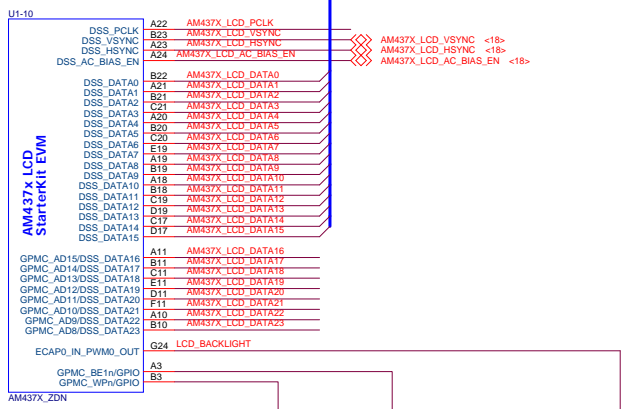
Texas Instruments, Inc.
 Catalog Processors Business Unit
 12500 TI Blvd
 Dallas, TX 75243
Final

AM437x Starter Kit EVM
 Audio

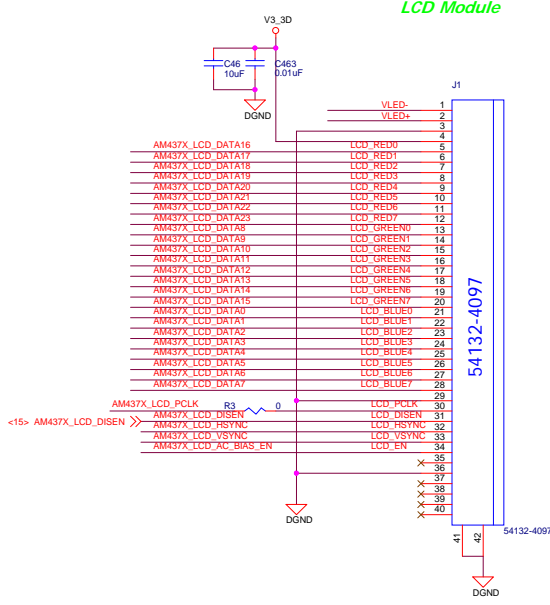
Size	Document Number	Modified By:	Rev
C	am437x_starterkit_evm_3a0009.dsn	Paul Eaves	1.2A

Date: Tuesday, April 26, 2016 Sheet: 10 of 19

AM437x LCD StarterKit EVM

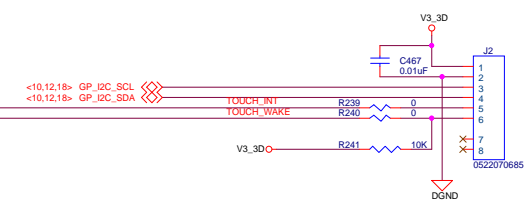
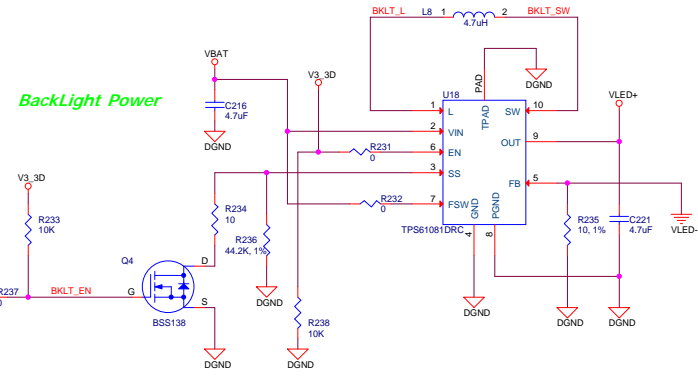


LCD Module



A1
LCD TFT 480x272
RGB Display w/Cap
Touchscreen
NHD-4.3-480272EF-ATXLF-CTP

BackLight Power



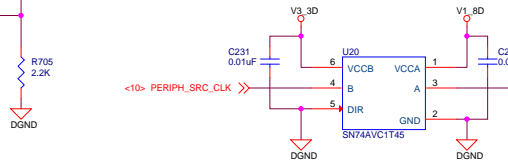
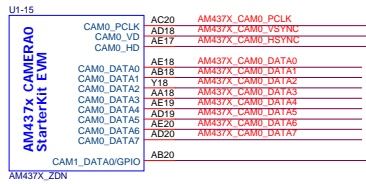
Catalog Processors

Texas Instruments, Inc.
Catalog Processors Business Unit
12500 TI Blvd
Dallas, TX 75243
Final

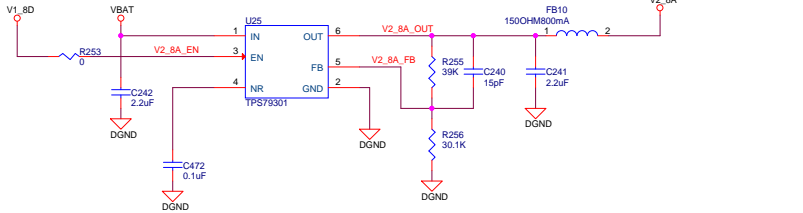
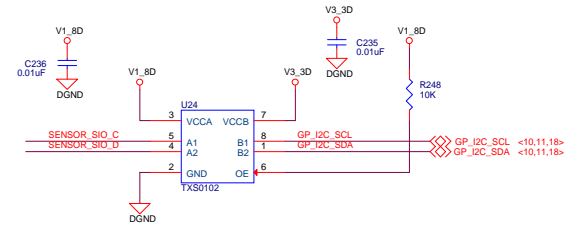
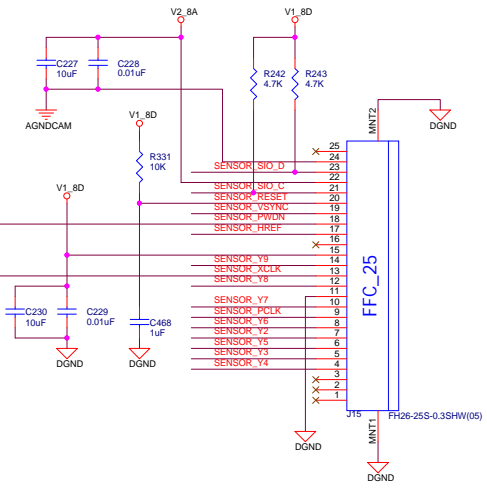
AM437x Starter Kit EVM
LCD/Touchscreen

Size	Document Number	Modified By:	Rev
C	am437x_starterkit_evm_3a0009.dsn	Paul Eaves	1.2A

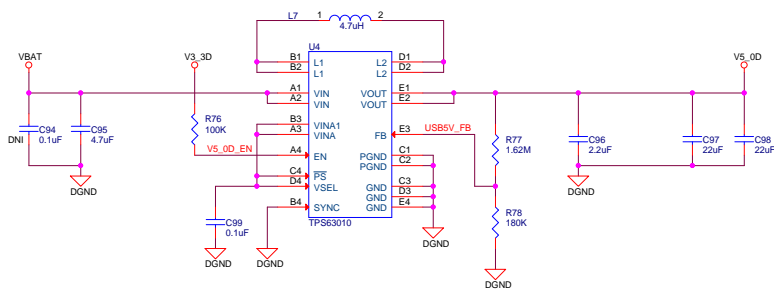
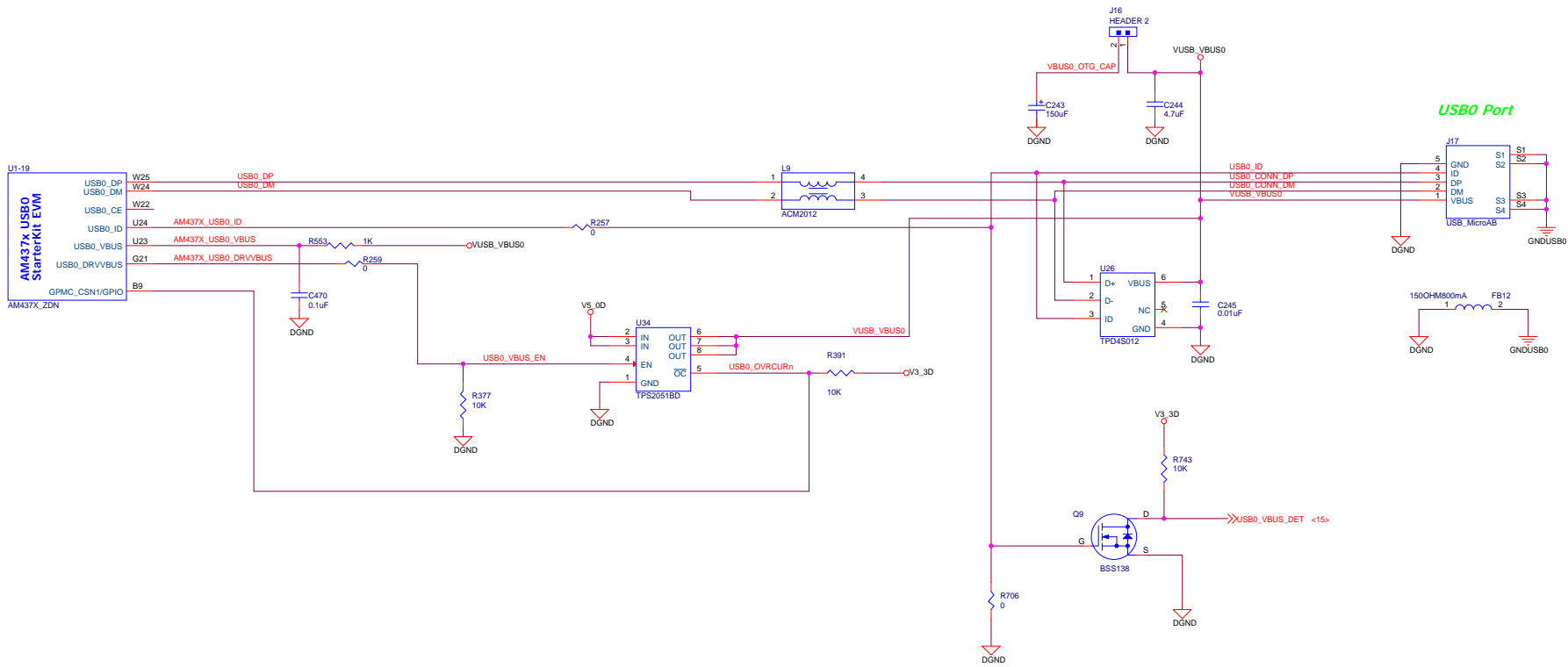
Date: Tuesday, April 26, 2016 Sheet: 11 of 19



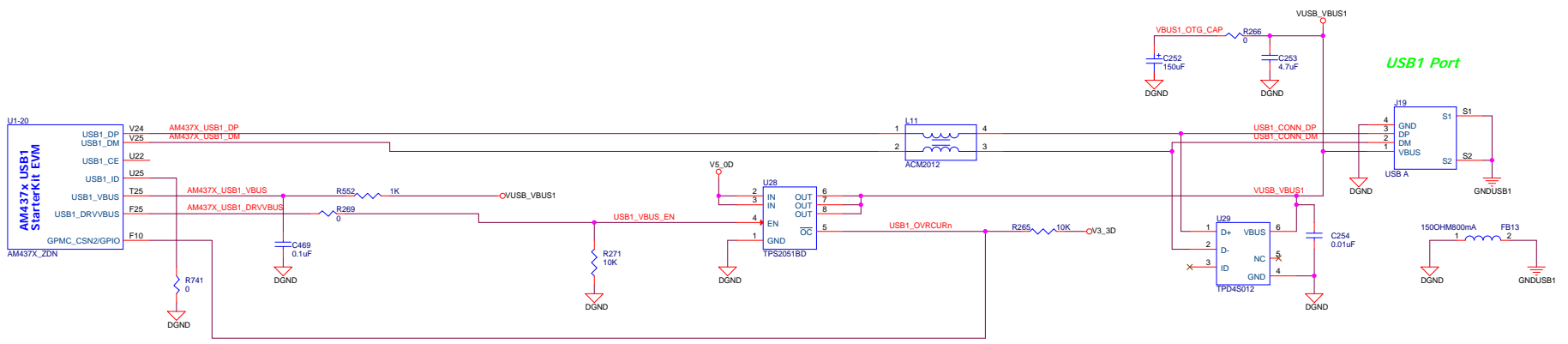
AM437X_CAM0_DATA0	SENSOR_Y2
AM437X_CAM0_DATA1	SENSOR_Y3
AM437X_CAM0_DATA2	SENSOR_Y4
AM437X_CAM0_DATA3	SENSOR_Y5
AM437X_CAM0_DATA4	SENSOR_Y6
AM437X_CAM0_DATA5	SENSOR_Y7
AM437X_CAM0_DATA6	SENSOR_Y8
AM437X_CAM0_DATA7	SENSOR_Y9



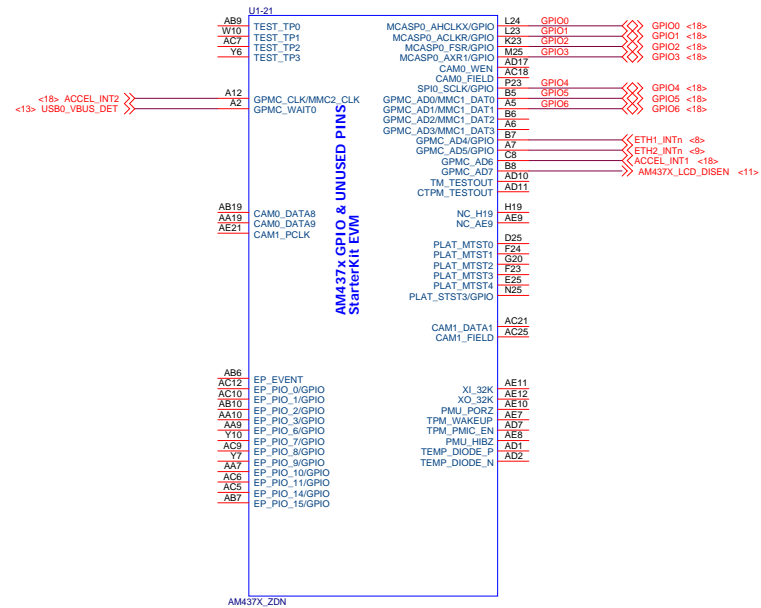
Catalog Processors	Texas Instruments, Inc.			
	Catalog Processors Business Unit			
	12500 TI Blvd			Final
	Dallas, TX 75243			
AM437x Starter Kit EVM				
Camera				
Size	Document Number	Modified By:	Rev	
C	am437x_starterkit_evm_3k0009.dsn	Paul Eaves	1.2A	
Date:	Tuesday, April 26, 2016	Sheet: 12	of 19	



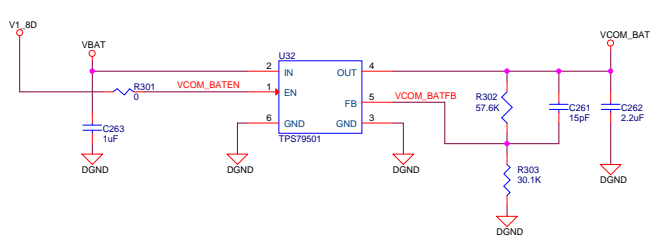
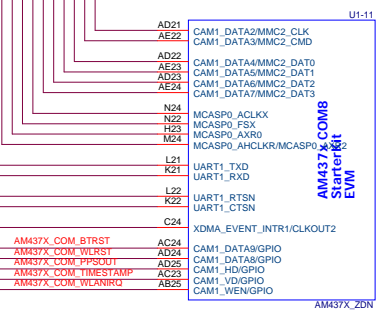
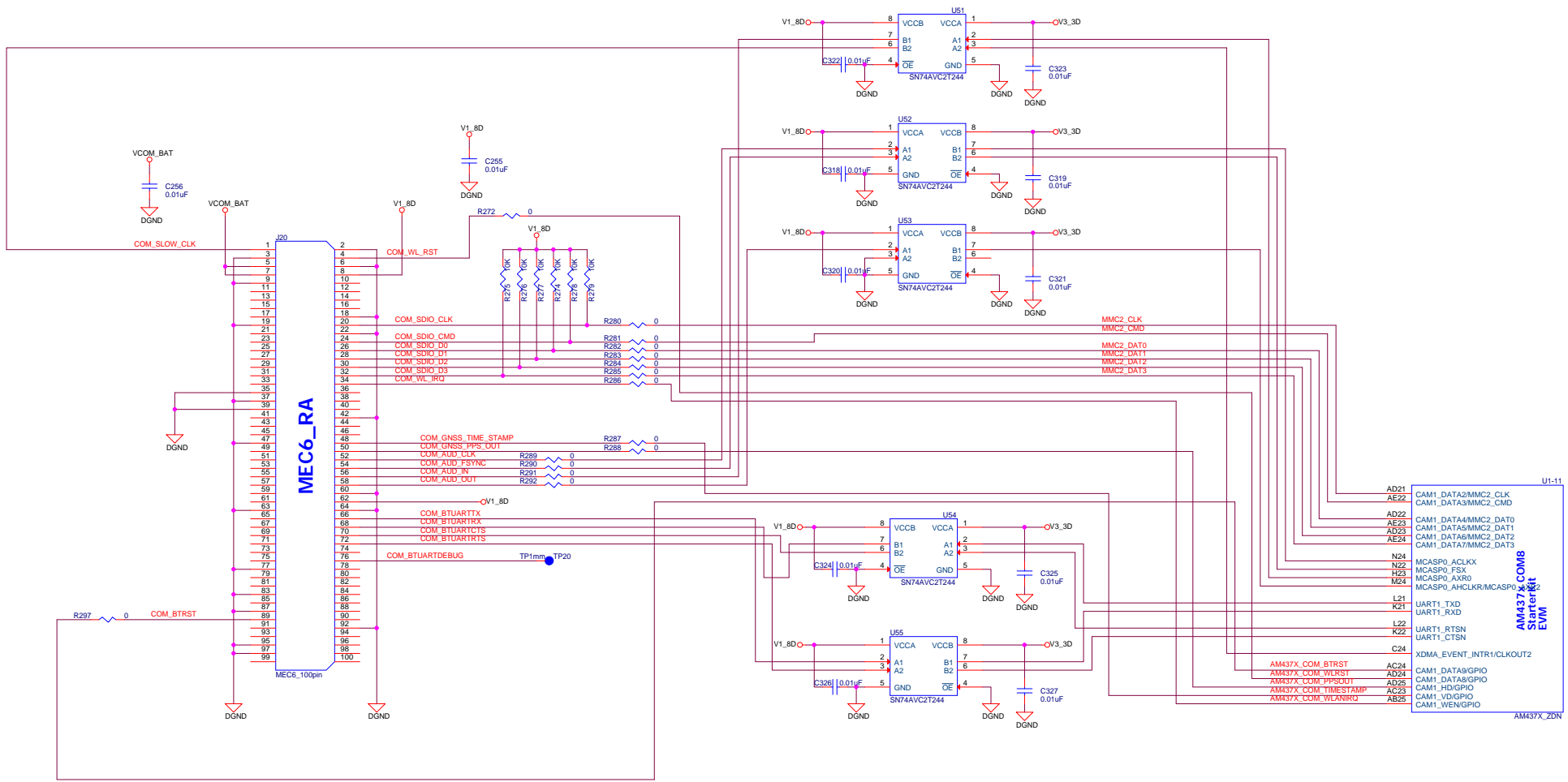
Catalog Processors	Texas Instruments, Inc.		
	Catalog Processors Business Unit 12500 TI Blvd Dallas, TX 75243		
	Final		
	AM437x Starter Kit EVM		
USB #0 Dual Role			
Size	Document Number	Modified By:	Rev
C	am437x_starterkit_evm_3a0009.dsn	Paul Eaves	1.2A
Date:	Tuesday, April 26, 2016	Sheet: 13	of 19



Catalog Processors	Texas Instruments, Inc.			
	Catalog Processors Business Unit 12500 TI Blvd Dallas, TX 75243			
	AM437x Starter Kit EVM			Final
	USB #1 Host			
Size	Document Number	Modified By:	Rev	
C	am437x_starterkit_evm_3k0009.dsn	Paul Eaves	1.2A	
Date:	Tuesday, April 26, 2016	Sheet:	14	of 19



Catalog Processors	Texas Instruments, Inc.			
	Catalog Processors Business Unit 12500 TI Blvd Dallas, TX 75243			
	Final			
	AM437x Starter Kit EVM			
Unused Pins/GPIO				
Size	Document Number	Modified By:	Rev	
C	am437x_starterkit_evm_360009.dsn	Paul Eaves	1.2A	
Date: Tuesday, April 26, 2016		Sheet: 15 of 19		



Catalog Processors

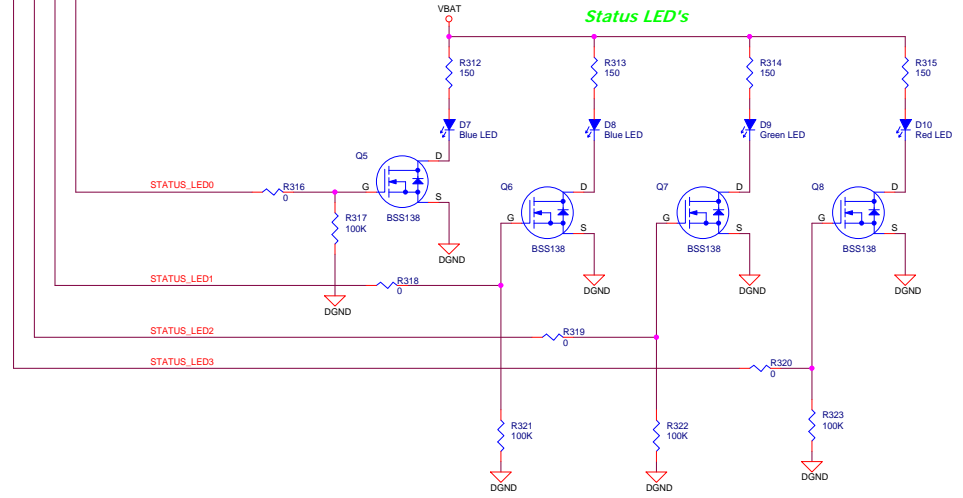
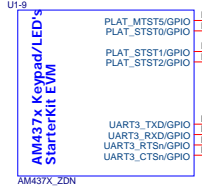
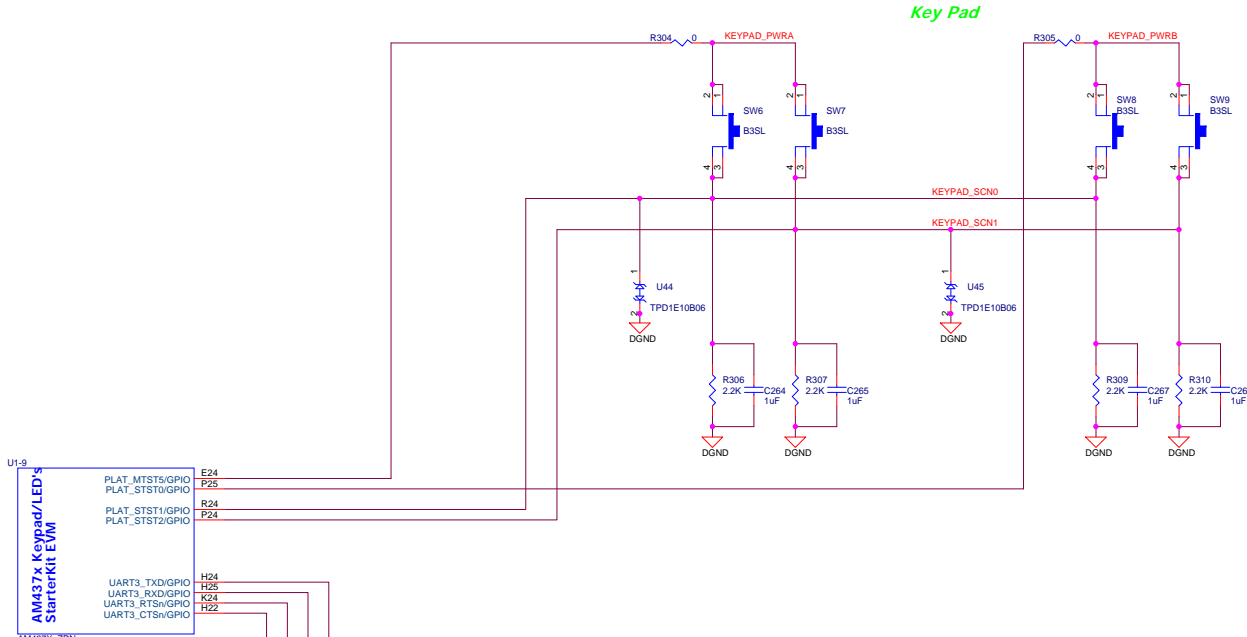
Texas Instruments, Inc.
 Catalog Processors Business Unit
 12500 TI Blvd
 Dallas, TX 75243

Final

AM437x Starter Kit EVM
 WLANBluetooth COM Board

Size	Document Number	Modified By:	Rev
C	am437x_starterkit_evm_3a0009.dsn	Paul Eaves	1.2A

Date: Tuesday, April 26, 2016 Sheet: 16 of 19



Catalog Processors

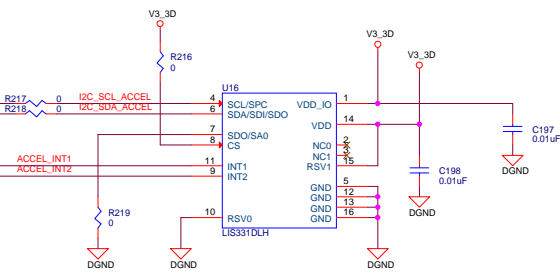
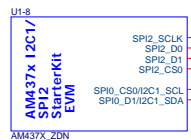
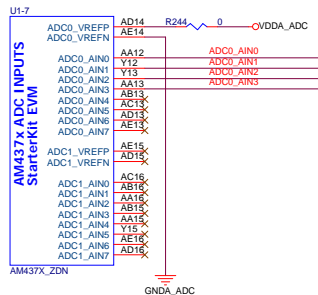
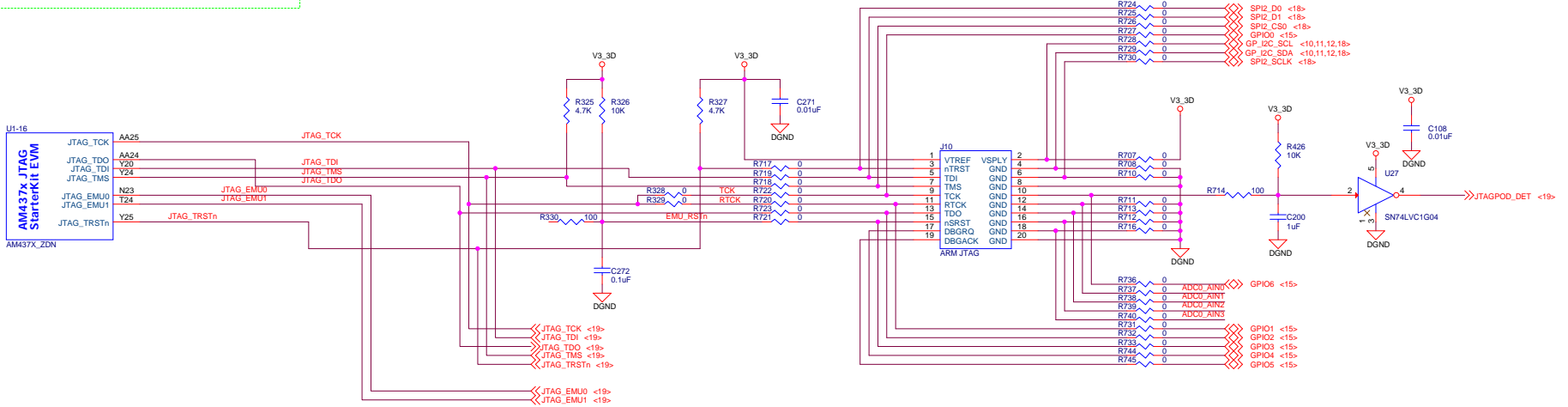
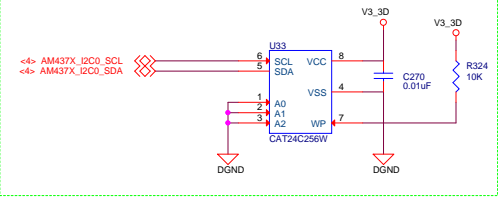
Texas Instruments, Inc.
 Catalog Processors Business Unit
 12500 TI Blvd
 Dallas, TX 75243
Final

AM437x Starter Kit EVM
 Keypad & Status LED's

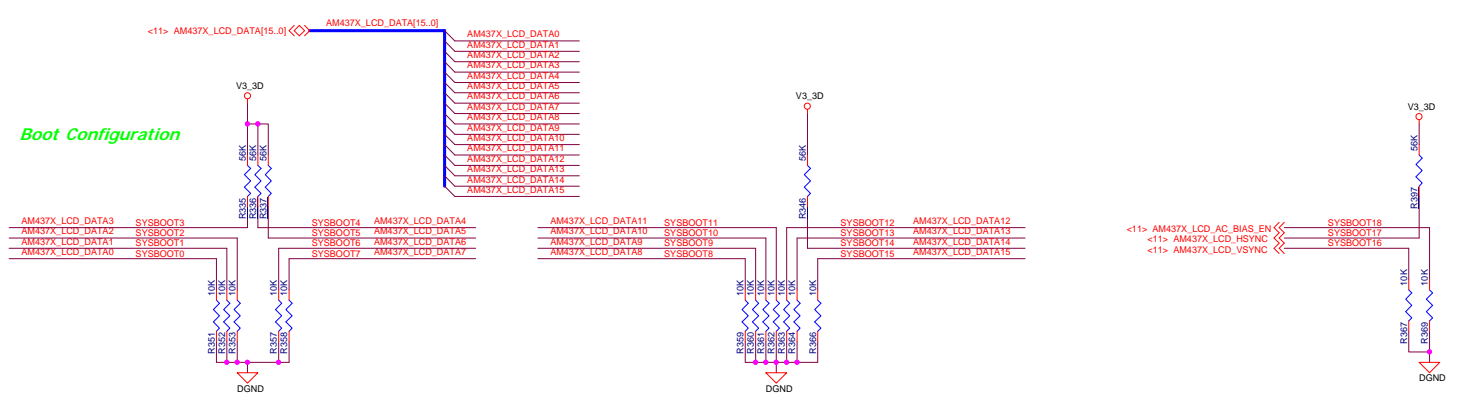
Size	Document Number	Modified By:	Rev
C	am437x_starterkit_evm_360009.dsn	Paul Eaves	1.2A

Date: Tuesday, April 26, 2016 Sheet: 17 of 19

ID Memory



Boot Configuration



Catalog Processors

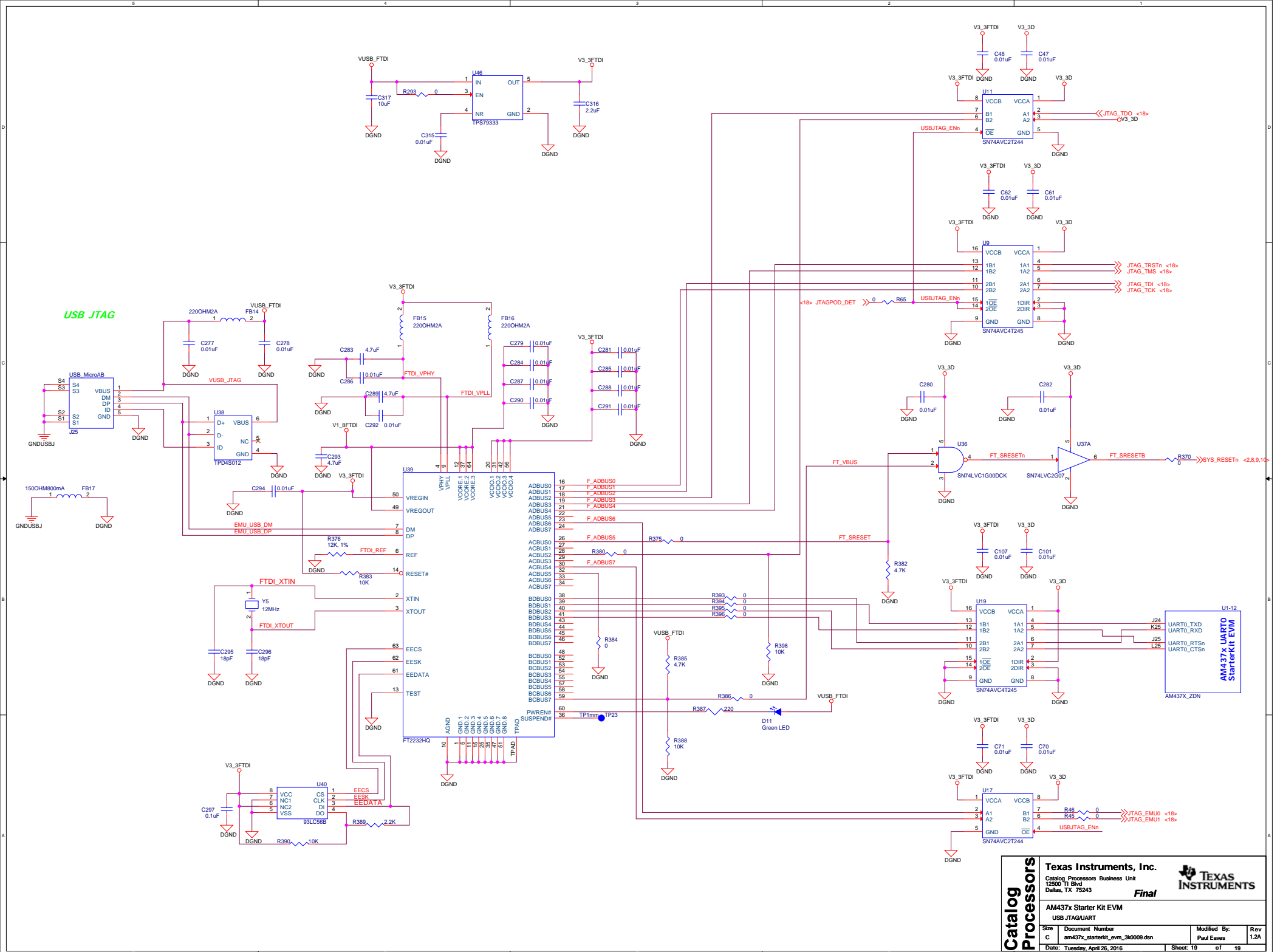
Texas Instruments, Inc.
 Catalog Processors Business Unit
 12500 TI Blvd
 Dallas, TX 75243

Final

AM437x Starter Kit EVM
 Debug/Configuration

Size	Document Number	Modified By:	Rev
C	am437x_starterkit_evm_3a0009.dsn	Paul Eaves	1.2A

Date: Tuesday, April 26, 2016 Sheet: 18 of 19



Catalog Processors

Texas Instruments, Inc.
 Catalog Processors Business Unit
 12500 TI Blvd
 Dallas, TX 75243
Final

AM437x Starter Kit EVM
 USB JTAG/UART

Size	Document Number	Modified By:	Rev
C	am437x_starterkit_evm_3k0009.dsn	Paul Eaves	1.2A
Date:	Tuesday, April 26, 2016	Sheet:	19 of 19

IMPORTANT NOTICE

Texas Instruments Incorporated and its subsidiaries (TI) reserve the right to make corrections, enhancements, improvements and other changes to its semiconductor products and services per JESD46, latest issue, and to discontinue any product or service per JESD48, latest issue. Buyers should obtain the latest relevant information before placing orders and should verify that such information is current and complete. All semiconductor products (also referred to herein as "components") are sold subject to TI's terms and conditions of sale supplied at the time of order acknowledgment.

TI warrants performance of its components to the specifications applicable at the time of sale, in accordance with the warranty in TI's terms and conditions of sale of semiconductor products. Testing and other quality control techniques are used to the extent TI deems necessary to support this warranty. Except where mandated by applicable law, testing of all parameters of each component is not necessarily performed.

TI assumes no liability for applications assistance or the design of Buyers' products. Buyers are responsible for their products and applications using TI components. To minimize the risks associated with Buyers' products and applications, Buyers should provide adequate design and operating safeguards.

TI does not warrant or represent that any license, either express or implied, is granted under any patent right, copyright, mask work right, or other intellectual property right relating to any combination, machine, or process in which TI components or services are used. Information published by TI regarding third-party products or services does not constitute a license to use such products or services or a warranty or endorsement thereof. Use of such information may require a license from a third party under the patents or other intellectual property of the third party, or a license from TI under the patents or other intellectual property of TI.

Reproduction of significant portions of TI information in TI data books or data sheets is permissible only if reproduction is without alteration and is accompanied by all associated warranties, conditions, limitations, and notices. TI is not responsible or liable for such altered documentation. Information of third parties may be subject to additional restrictions.

Resale of TI components or services with statements different from or beyond the parameters stated by TI for that component or service voids all express and any implied warranties for the associated TI component or service and is an unfair and deceptive business practice. TI is not responsible or liable for any such statements.

Buyer acknowledges and agrees that it is solely responsible for compliance with all legal, regulatory and safety-related requirements concerning its products, and any use of TI components in its applications, notwithstanding any applications-related information or support that may be provided by TI. Buyer represents and agrees that it has all the necessary expertise to create and implement safeguards which anticipate dangerous consequences of failures, monitor failures and their consequences, lessen the likelihood of failures that might cause harm and take appropriate remedial actions. Buyer will fully indemnify TI and its representatives against any damages arising out of the use of any TI components in safety-critical applications.

In some cases, TI components may be promoted specifically to facilitate safety-related applications. With such components, TI's goal is to help enable customers to design and create their own end-product solutions that meet applicable functional safety standards and requirements. Nonetheless, such components are subject to these terms.

No TI components are authorized for use in FDA Class III (or similar life-critical medical equipment) unless authorized officers of the parties have executed a special agreement specifically governing such use.

Only those TI components which TI has specifically designated as military grade or "enhanced plastic" are designed and intended for use in military/aerospace applications or environments. Buyer acknowledges and agrees that any military or aerospace use of TI components which have **not** been so designated is solely at the Buyer's risk, and that Buyer is solely responsible for compliance with all legal and regulatory requirements in connection with such use.

TI has specifically designated certain components as meeting ISO/TS16949 requirements, mainly for automotive use. In any case of use of non-designated products, TI will not be responsible for any failure to meet ISO/TS16949.

Products

Audio	www.ti.com/audio
Amplifiers	amplifier.ti.com
Data Converters	dataconverter.ti.com
DLP® Products	www.dlp.com
DSP	dsp.ti.com
Clocks and Timers	www.ti.com/clocks
Interface	interface.ti.com
Logic	logic.ti.com
Power Mgmt	power.ti.com
Microcontrollers	microcontroller.ti.com
RFID	www.ti-rfid.com
OMAP Applications Processors	www.ti.com/omap
Wireless Connectivity	www.ti.com/wirelessconnectivity

Applications

Automotive and Transportation	www.ti.com/automotive
Communications and Telecom	www.ti.com/communications
Computers and Peripherals	www.ti.com/computers
Consumer Electronics	www.ti.com/consumer-apps
Energy and Lighting	www.ti.com/energy
Industrial	www.ti.com/industrial
Medical	www.ti.com/medical
Security	www.ti.com/security
Space, Avionics and Defense	www.ti.com/space-avionics-defense
Video and Imaging	www.ti.com/video

TI E2E Community

e2e.ti.com