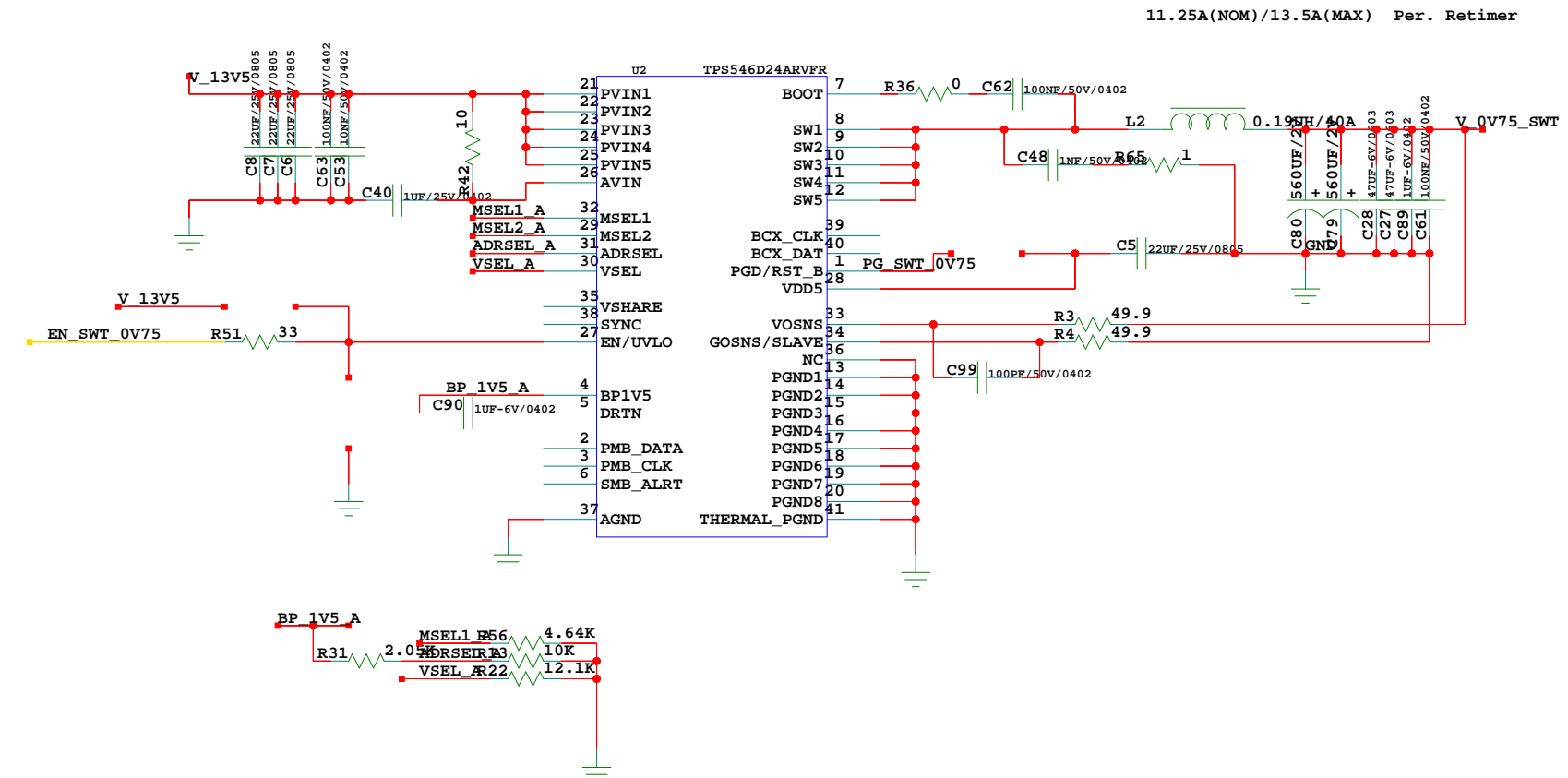
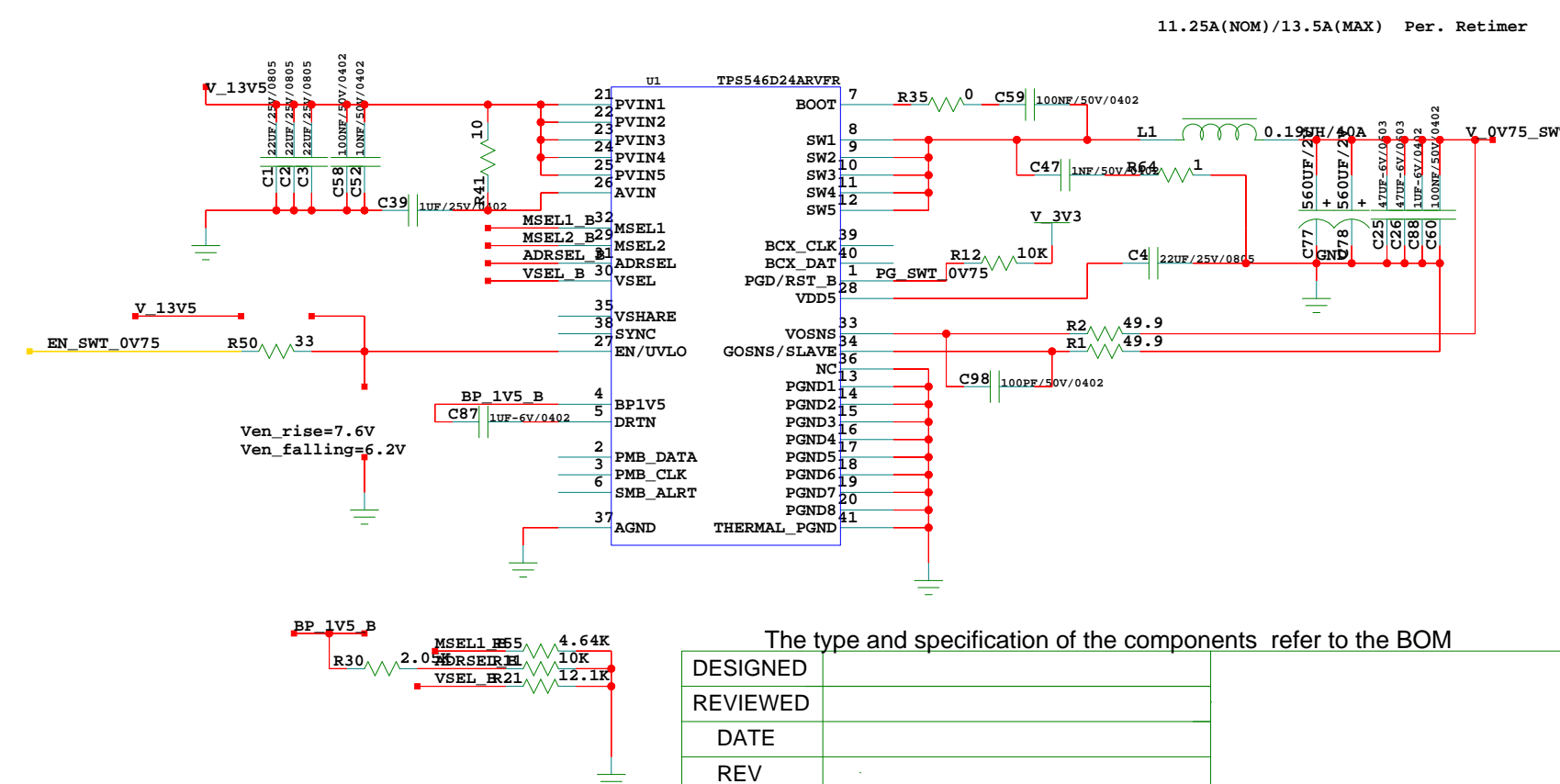


1V5/1v2/0v75 Power Sources for SWT



0.75V@67.5A / 5 retimer

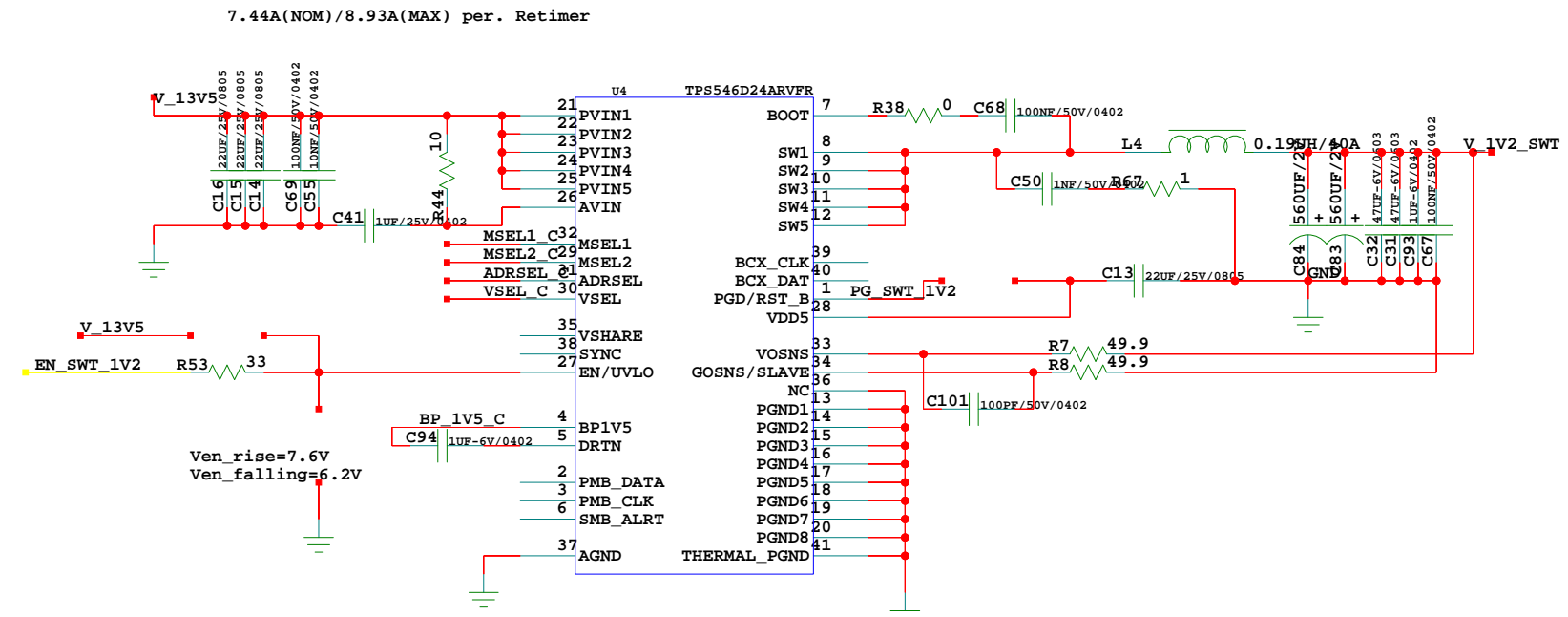


Ven_rise=7.6V
Ven_falling=6.2V

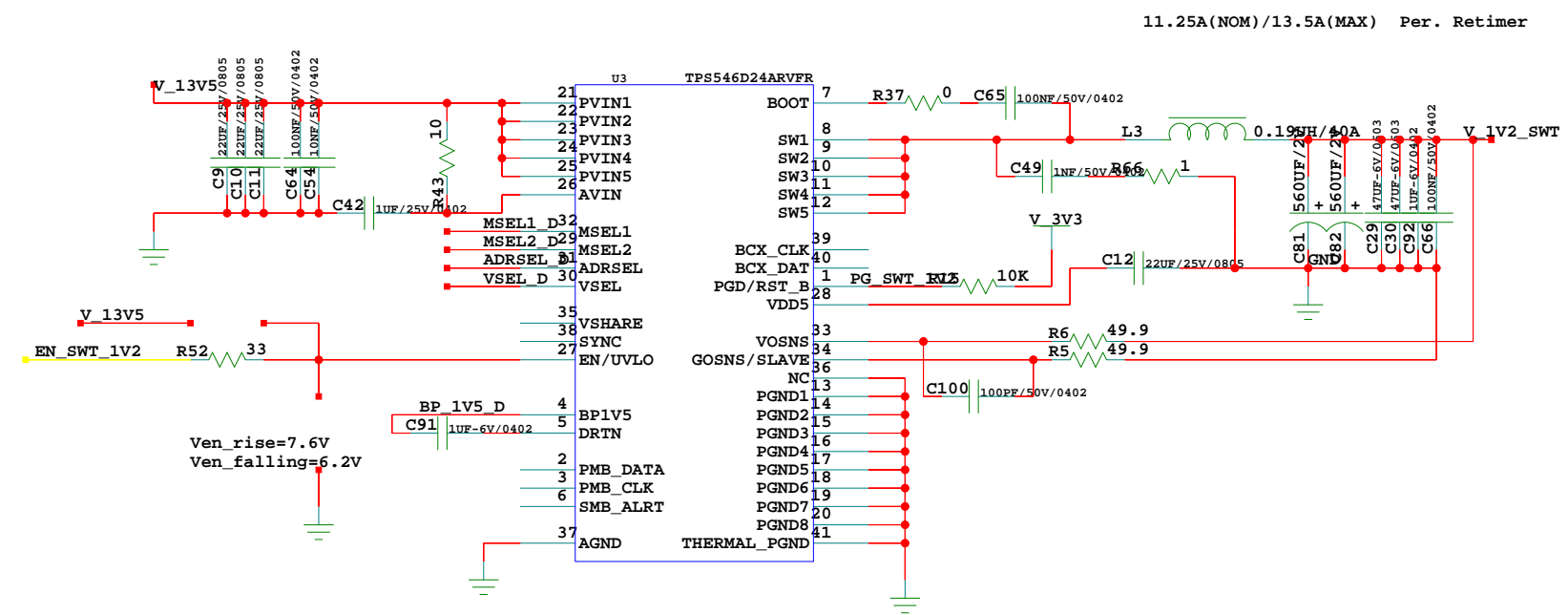
The type and specification of the components refer to the BOM

DESIGNED	
REVIEWED	
DATE	
REV	
SHEET	OF

1V5/1v2/0v75 Power Sources for SWT



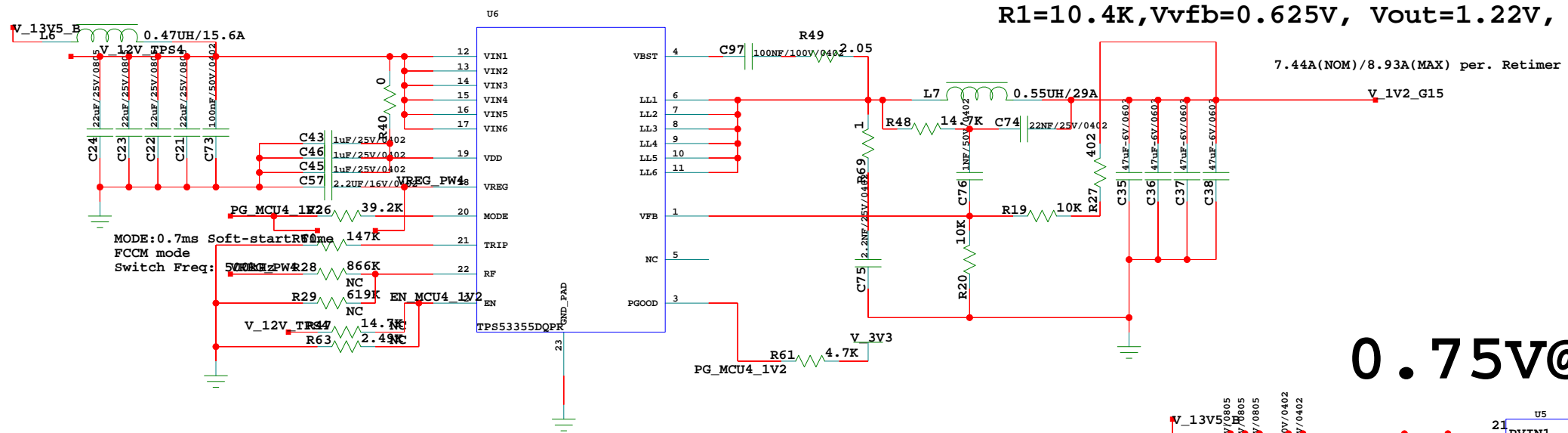
1.2V@45A/5 retimers



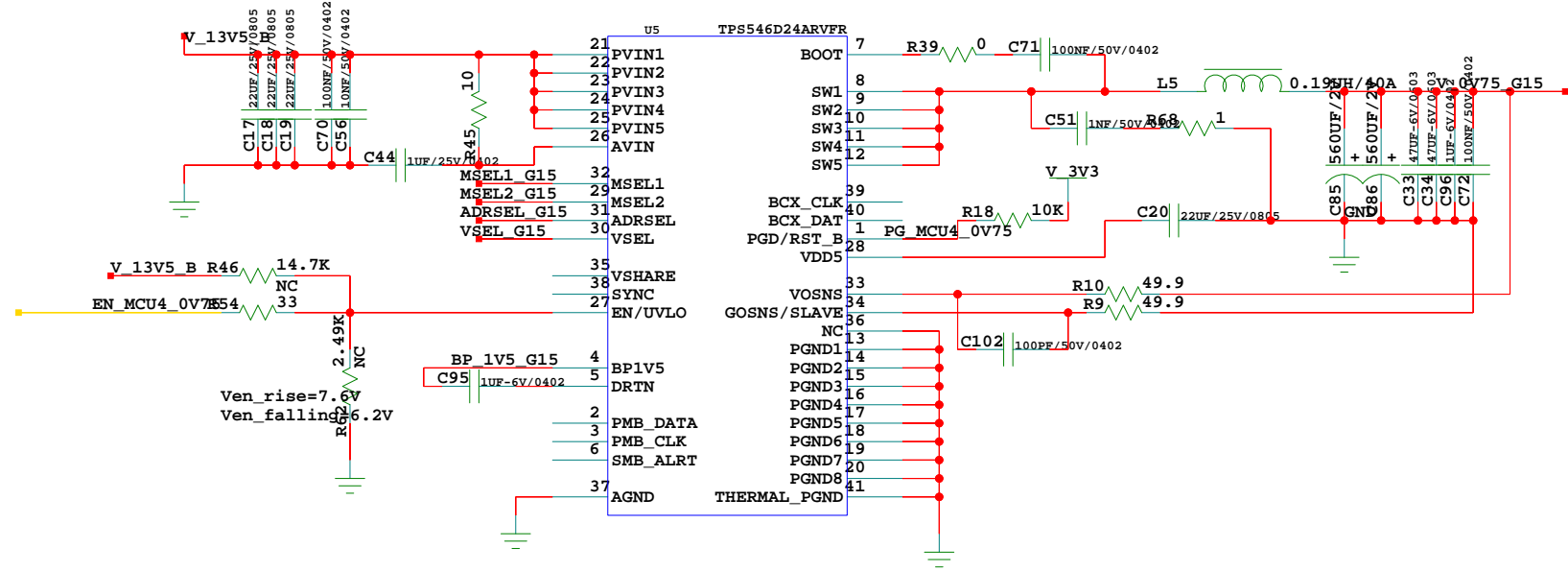
The type and specification of the components refer to the BOM

DESIGNED	
REVIEWED	
DATE	
REV	
SHEET	OF

1.2V@17.9A



0.75V@27A



The type and specification of the components refer to the BOM

DESIGNED	
REVIEWED	
DATE	
REV	
SHEET	OF