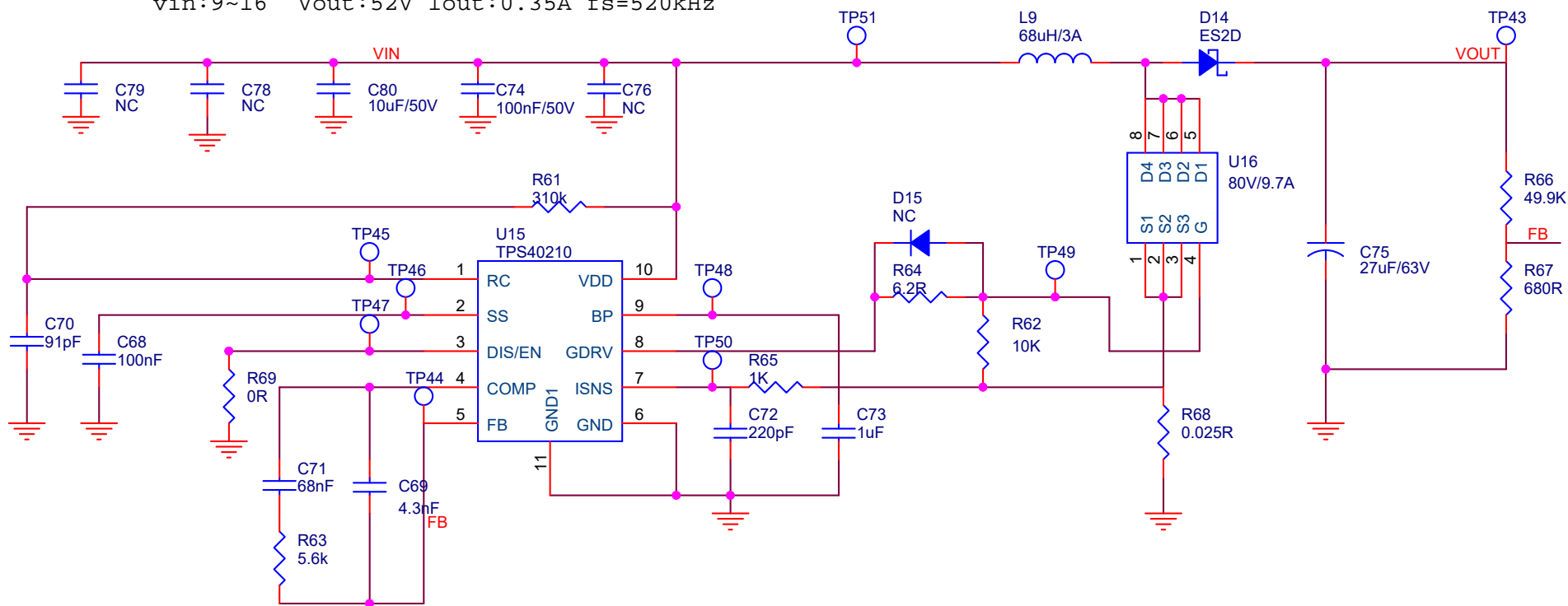


vin:9~16 Vout:52V Iout:0.35A fs=520kHz



| | | |
|---------|------------------------|--------------|
| Title | | |
| <Title> | | |
| Size | Document Number | Rev |
| A | <Doc> | <RevCode> |
| Date: | Tuesday, July 17, 2018 | Sheet 1 of 1 |