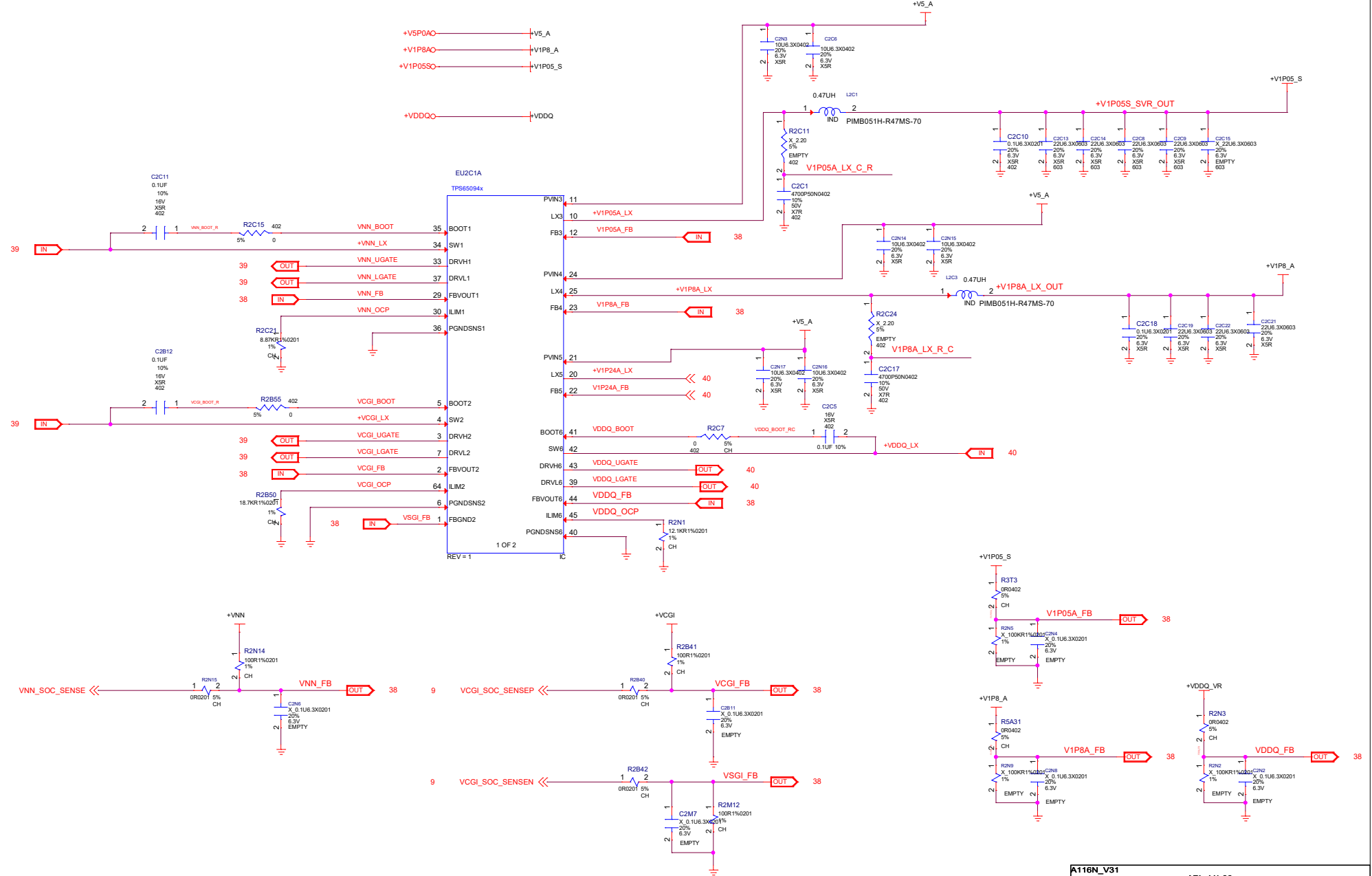
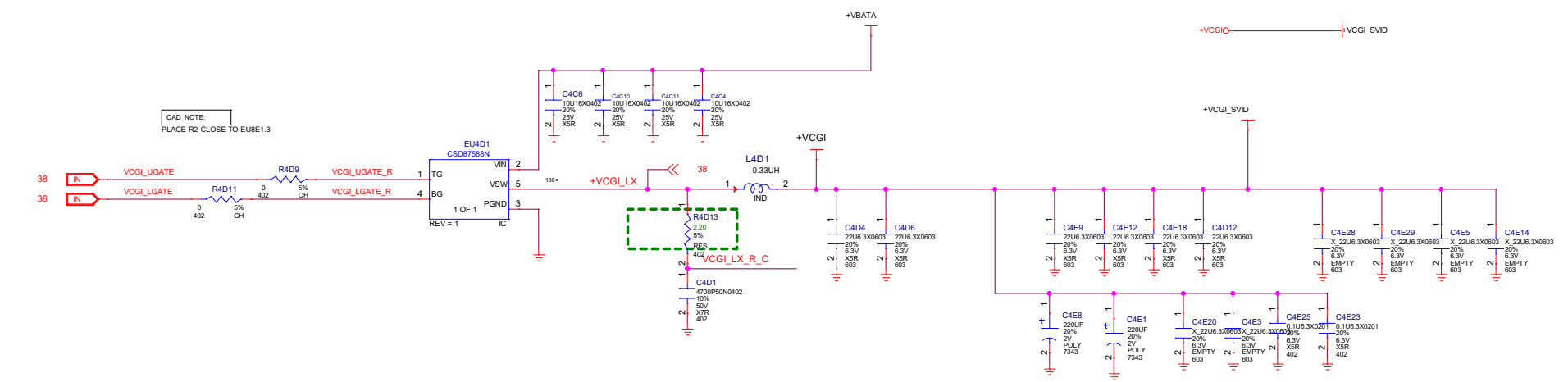
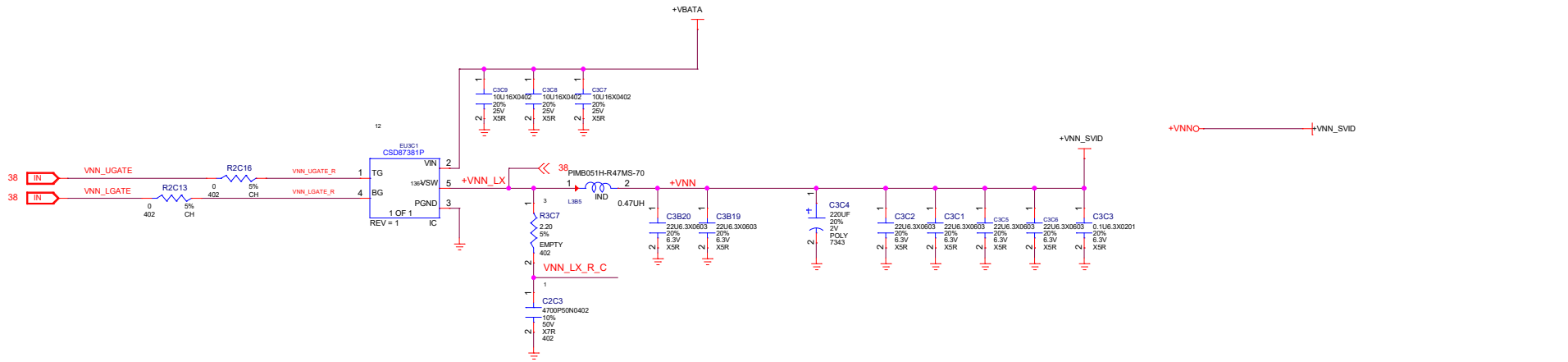


+VSP0AO → V5_A
 +V1P8AO → V1P8_A
 +V1P05SO → V1P05_S

 +VDDQO → VDDQ

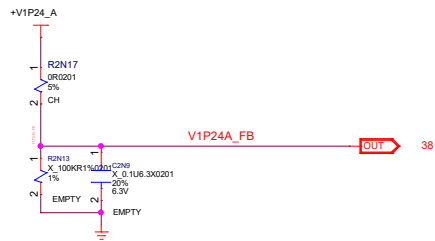
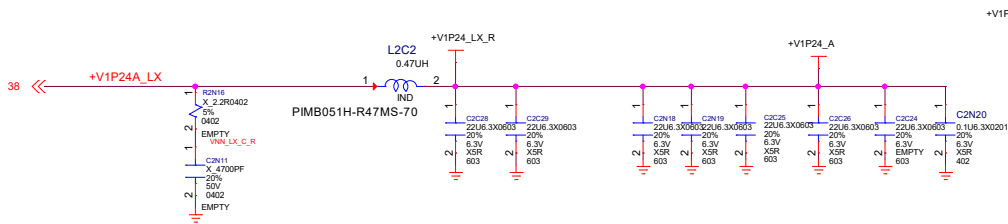
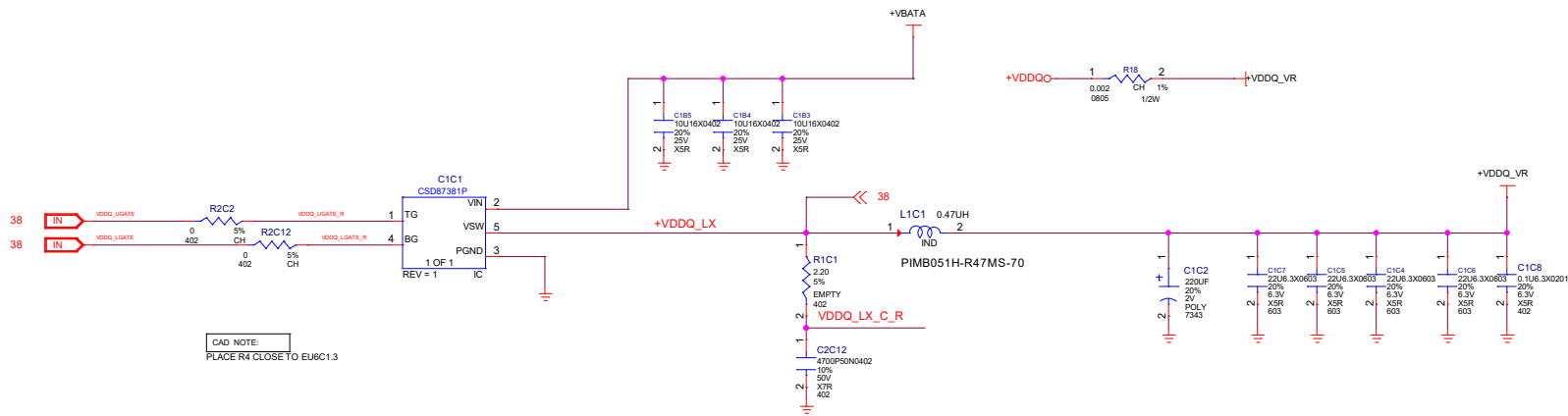


A116N_V31		API_V1.00	
Title Cover Sheet			
Size	Document	Number	Rev
Custom			A
Date:	Monday, December 07, 2020	Sheet	38 of 50

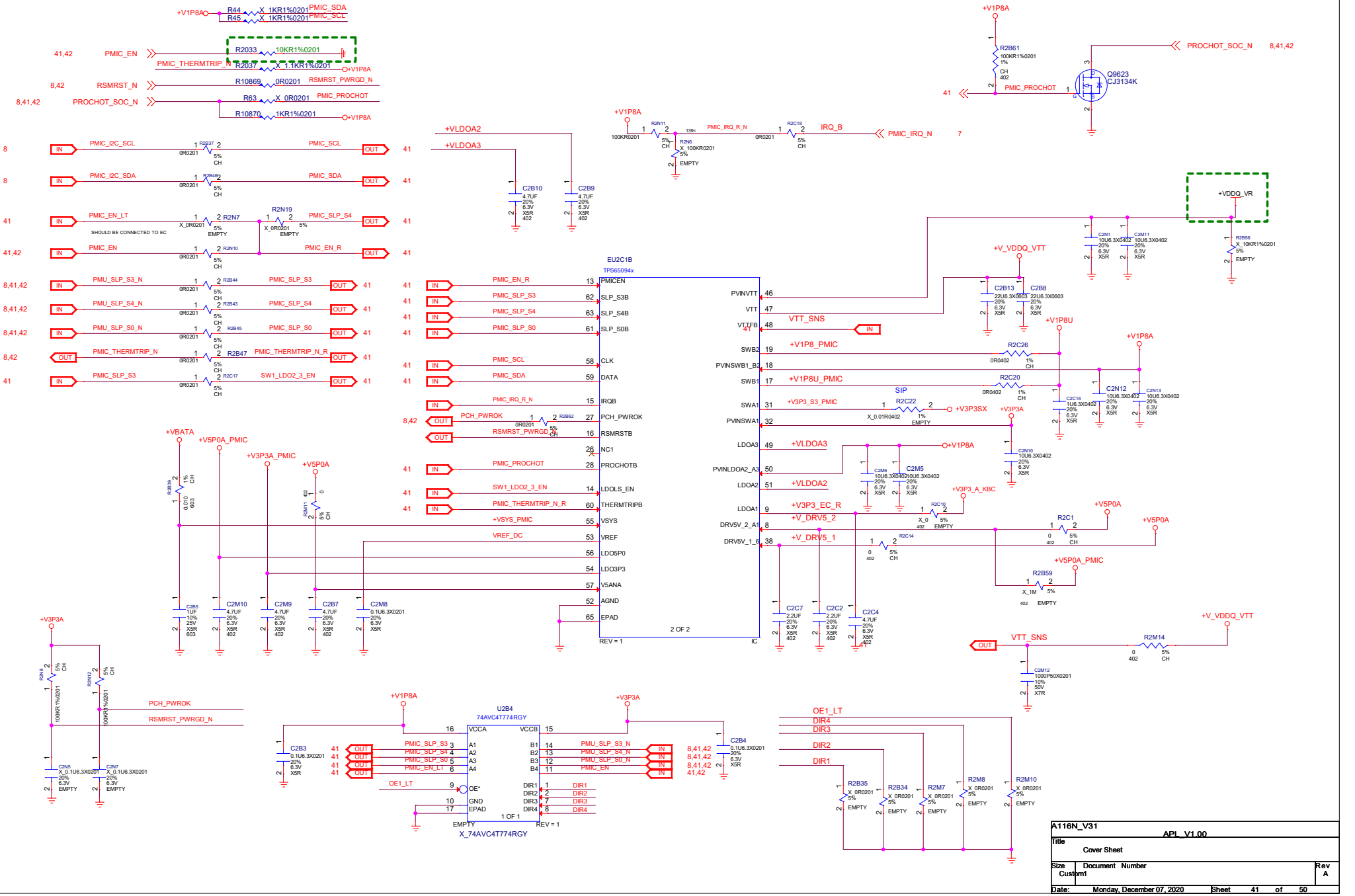


CAD NOTE:
PLACE R2 CLOSE TO EU8E1.3

A116N_V31		API_V1.00	
Title Cover Sheet			
Size	Document	Number	Rev
Custom			A
Date:	Wednesday, January 13, 2021		Sheet 39 of 50



A116N_V31		API_V1.00	
Title		Cover Sheet	
Size	Document Number	Rev A	
Customer			
Date:	Monday, December 07, 2020	Sheet	40 of 50



A116N_V31		API_V1.00	
Title Cover Sheet			
Size	Document	Number	Rev
Customer			A
Date:	Monday, December 07, 2020	Sheet	41 of 50