

**Table 2. L, C<sub>OUT</sub> and C<sub>FF</sub> Typical Values**

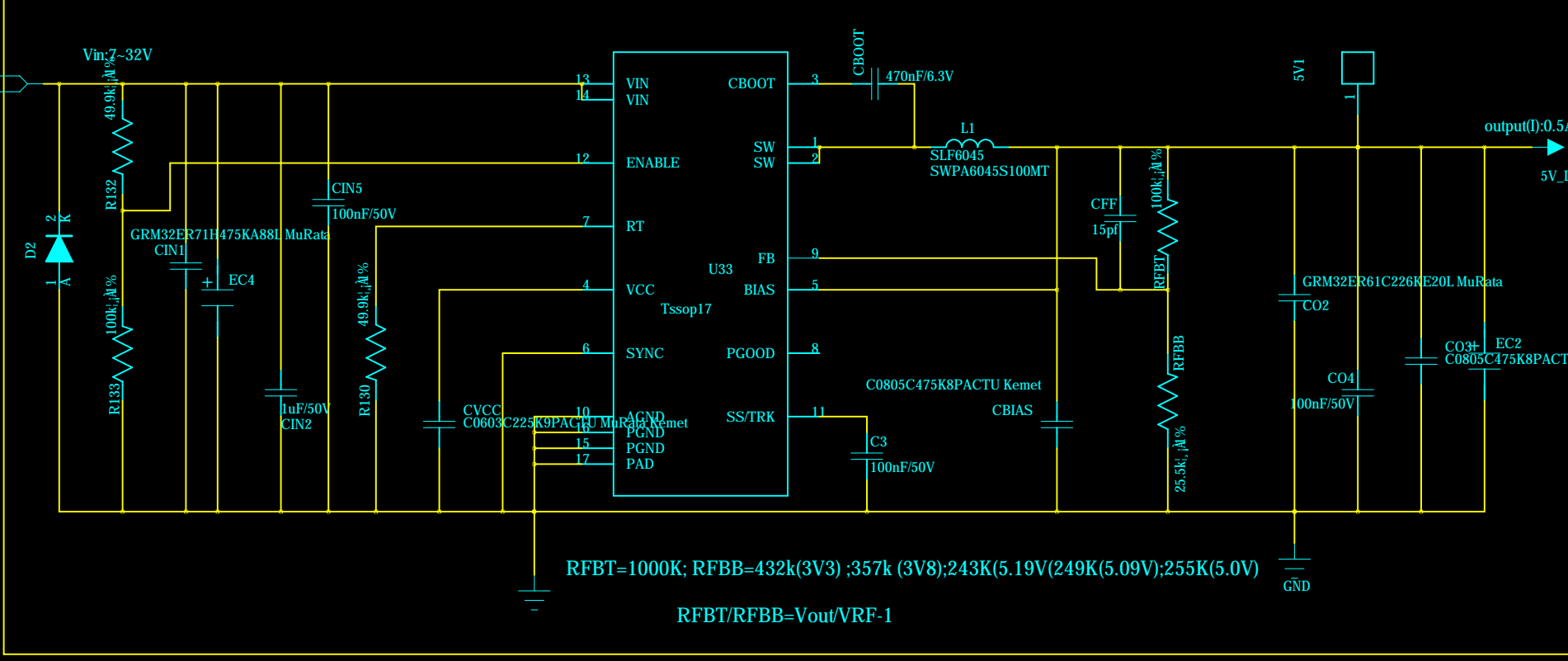
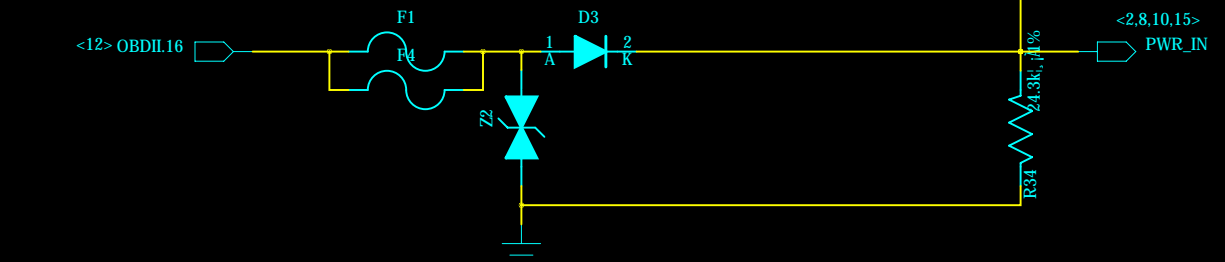
F <sub>s</sub> (kHz)	V <sub>OUT</sub> (V)	L (μH) <sup>(1)</sup>	C <sub>OUT</sub> (μF) <sup>(2)</sup>	C <sub>FF</sub> (pF) <sup>(3)(4)</sup>	R <sub>T</sub> (kΩ)	R <sub>FB</sub> (kΩ) <sup>(5)(6)</sup>
200	1	8.2	250	none	200	100
500	1	3.3	470	none	80.6 or open	100
1000	1	1.5	220	none	39.2	100
2200	1	0.68	150	none	17.8	100
200	3.3	18	250	56	200	432
500	3.3	6.8	150	47	80.6 or open	432
1000	3.3	4.7	100	33	39.2	432
2200	3.3	1.8	47	22	17.8	432
200	5	22	200	68	200	249
500	5	10	100	47	80.6 or open	249
1000	5	4.7	47	47	39.2	249
2200	5	2.2	33	33	17.8	249
200	12	98	98	See note <sup>(4)</sup>	200	90.9
500	12	27	47	56	80.6 or open	90.9
1000	12	15	33	47	39.2	90.9
200	24	68	68	See note <sup>(4)</sup>	200	43.2
500	24	27	47	See note <sup>(4)</sup>	80.6 or open	43.2
1000	24	15	33	See note <sup>(4)</sup>	39.2	43.2

**TPS561208**  
4.5V to 17V Input, 1A Output, Synchronous Step-Down Converter

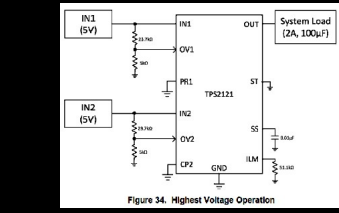
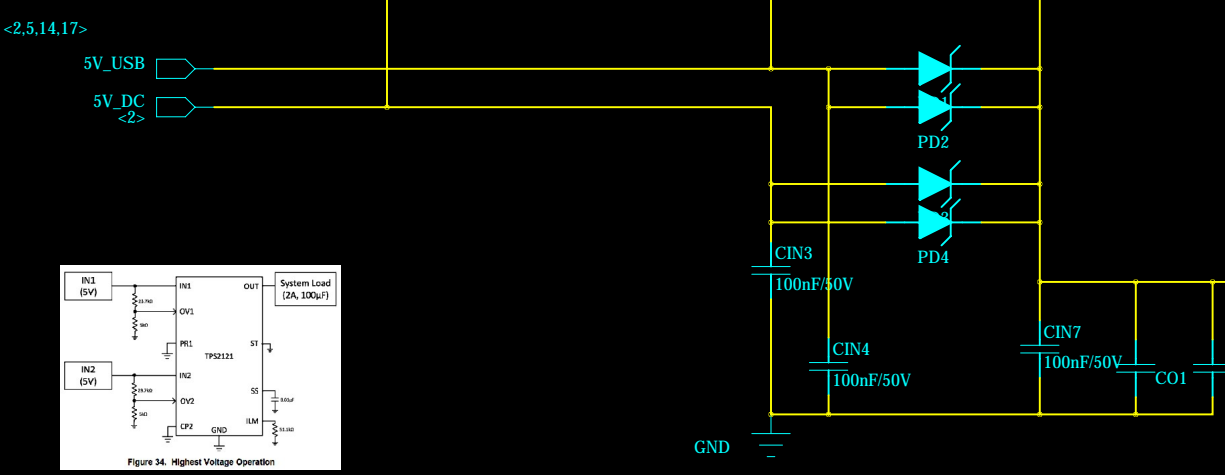
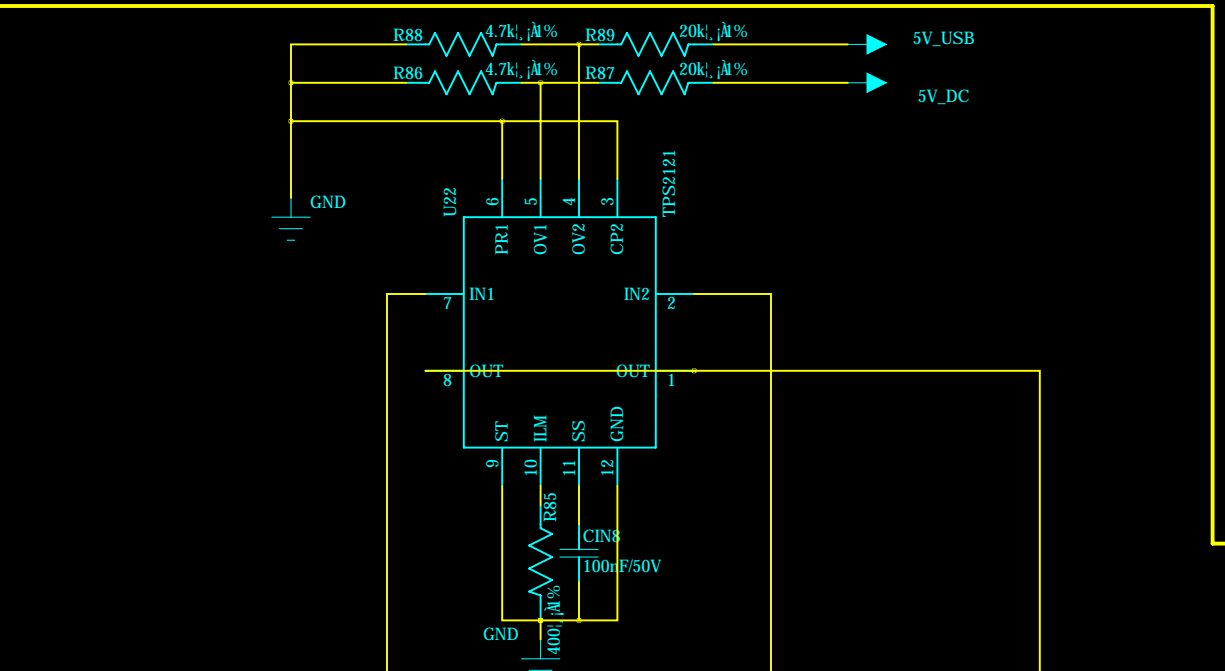
# Power input

input: 7~32V

input voltage ranging from 3.5 V to 36 V (42V abs max)



RFBT=1000k; RFBB=432k(3V3);357k(3V8);243k(5.19V(249k(5.09V);255k(5.0V)  
RFBB/RFBB=Vout/VRF-1



	U8	L4	R39	R40
SY8008BAAC 800mA	SY8008BAAC	2.2uH	49.9k	11.0k
TPS56020 500mA	TPS56020	10uH	61.9k	20.0k