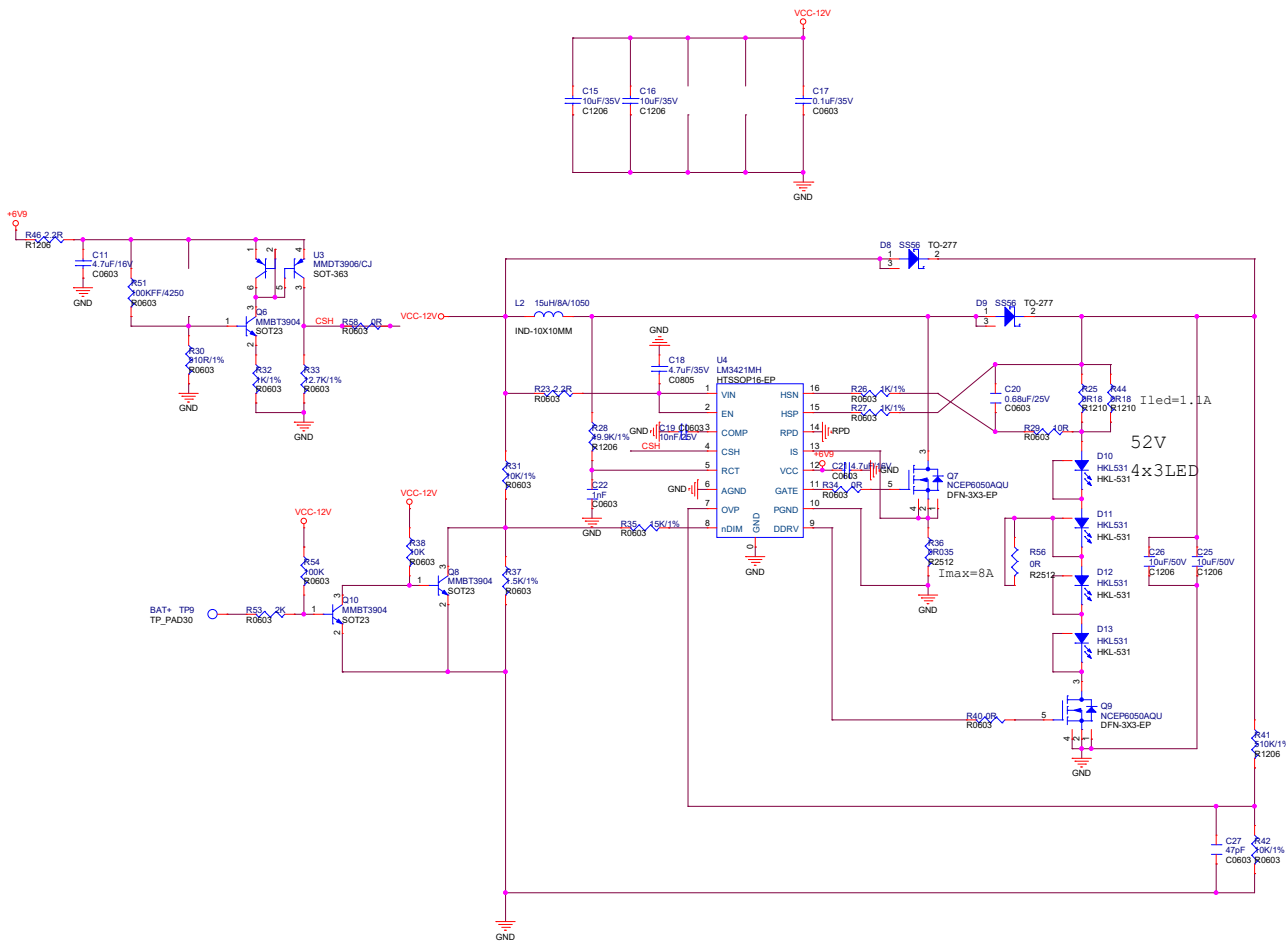


MASK1: MASK2
 SMD SMD
 SMD SMD

Model :		Draw	
Size: A3	Document Number: COVER	Approved	Rev: V1.0
Date:		Sheet	1 of 2



Model :		Draw	
Size : A3	Document Number : COVER	Approved	Rev : V1.0
Date :		Sheet : 2	of : 2