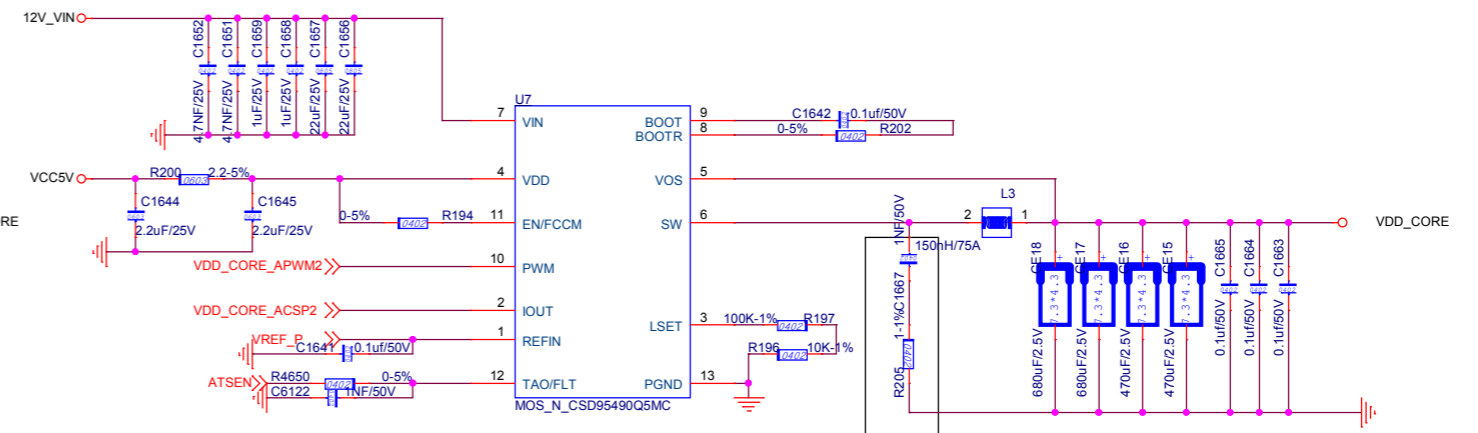
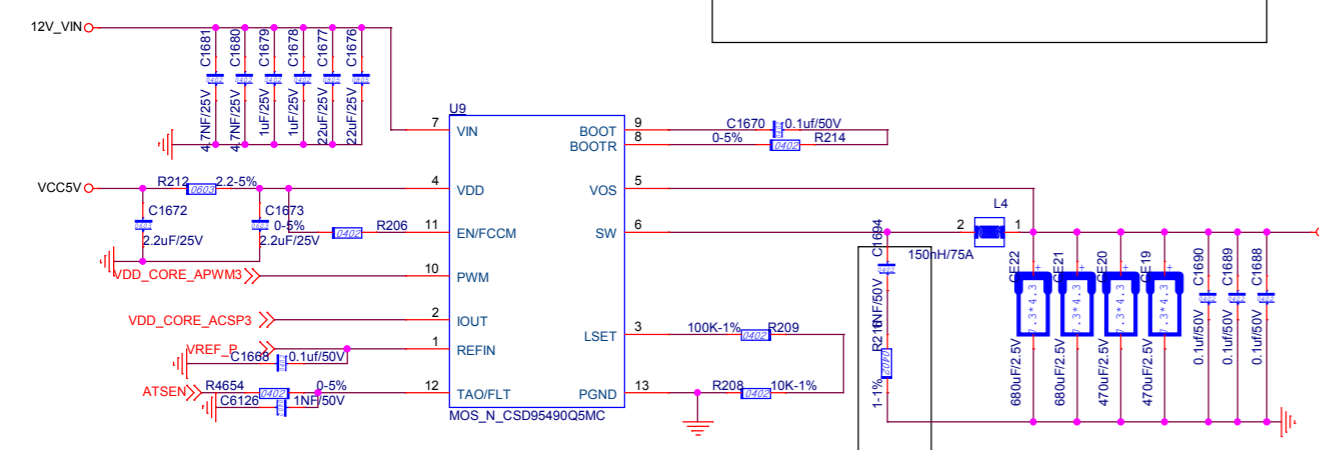


0403 add

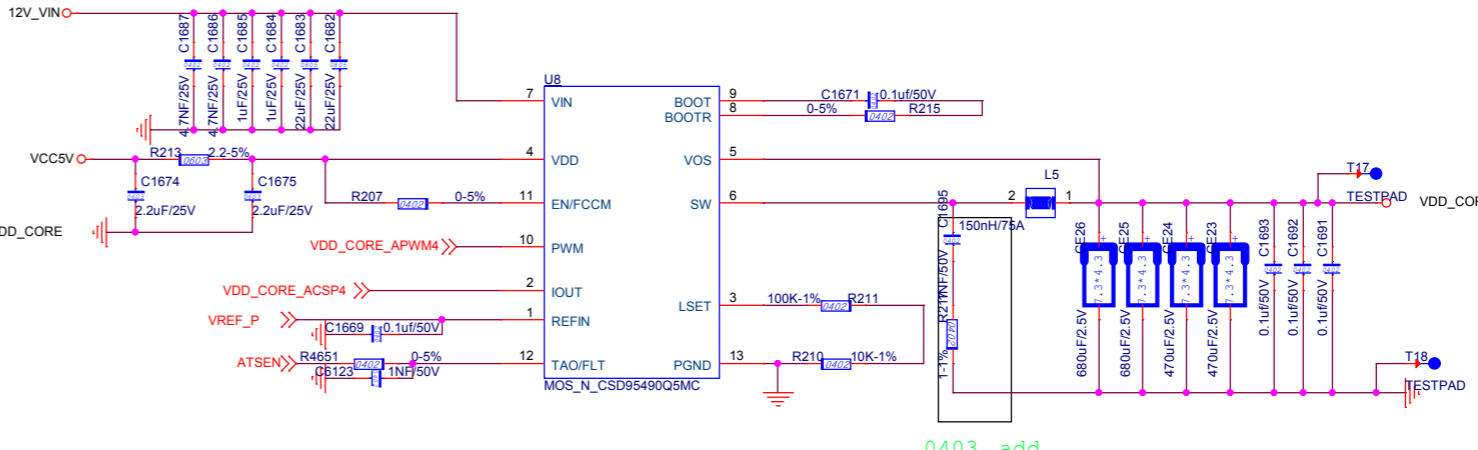
BOM ALL C change to X7R



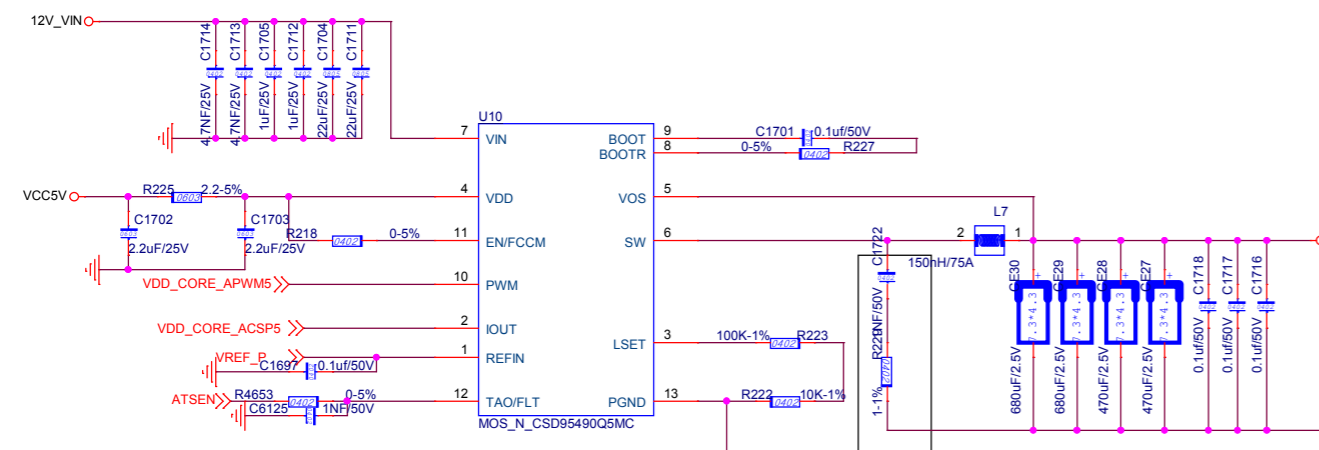
0403 add



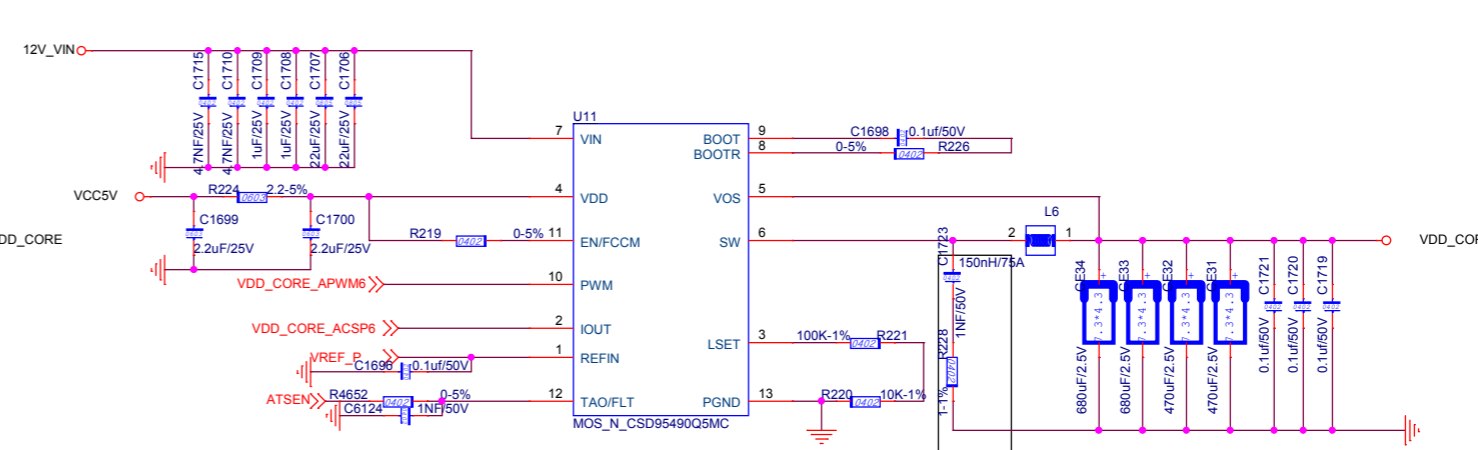
0403 add



0403 add

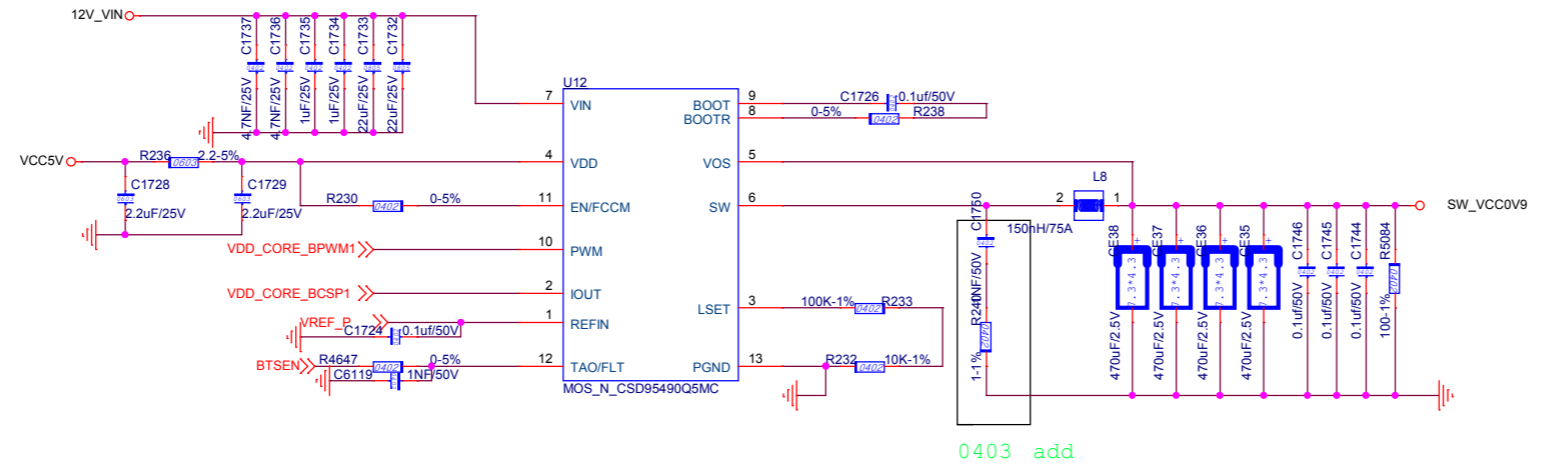


0403 add

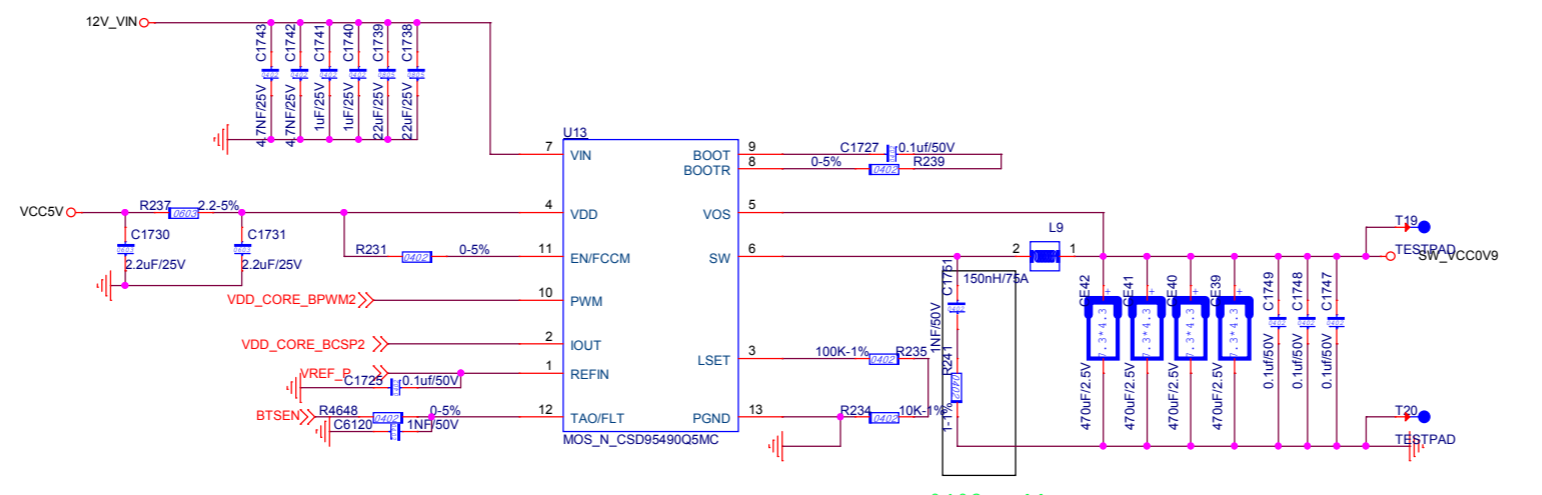


0403 add


BOM ALL C change to X7R



0403 add



0403 add

 Semptian Co., Ltd.	
Page Name	SU8000
Size C	Project Name <Doc> <Designer> <RevCode>
Date:	Tuesday, July 19, 2022 Sheet 20 of 34
PROPERTY NOTE: this document contains information confidential and property to Semptian and shall not be reproduced or transferred to other documents or disclosed to others or used for any purpose other than that for which it was obtained without the expressed written consent of Semptian	