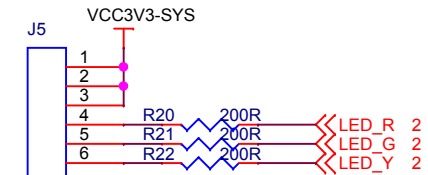
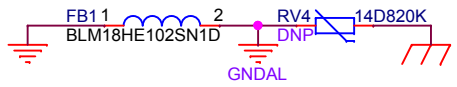
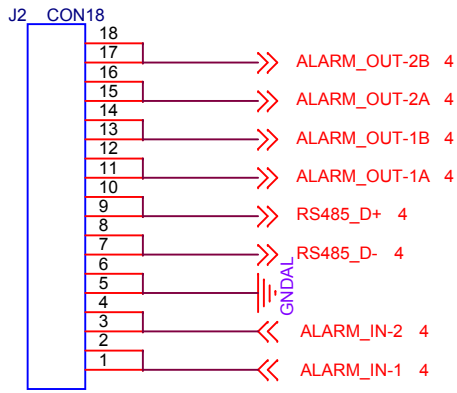
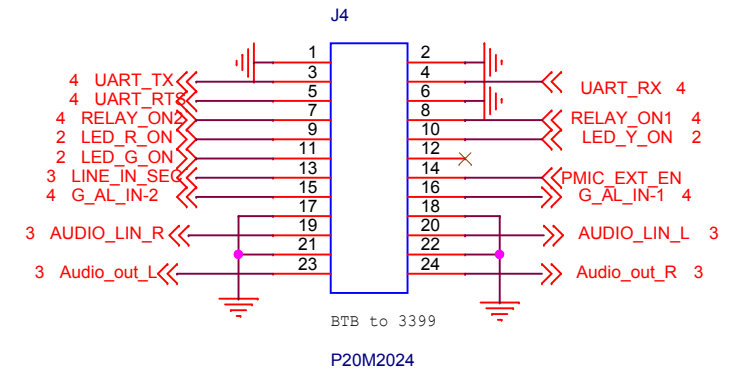
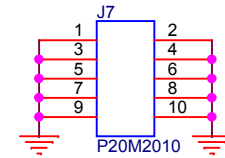
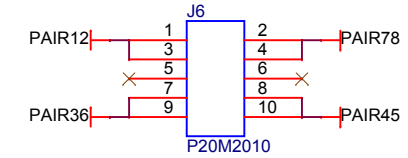
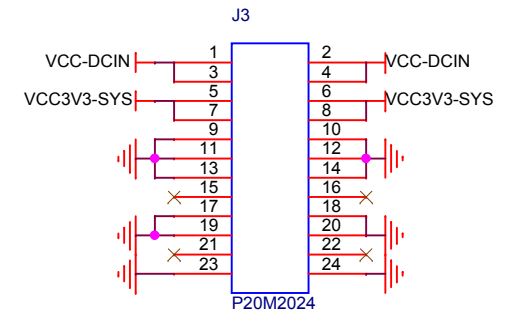
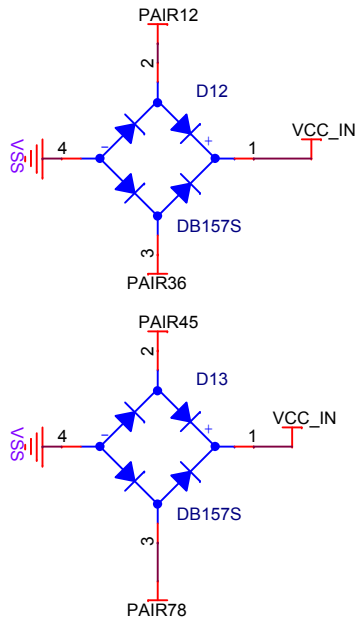
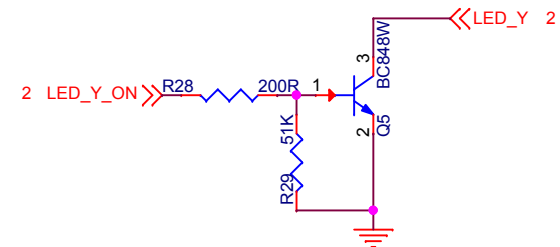
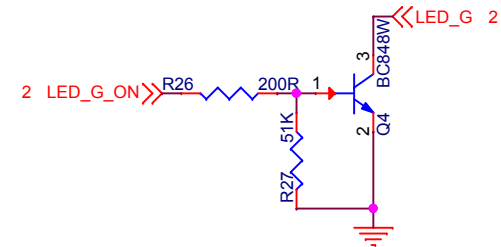
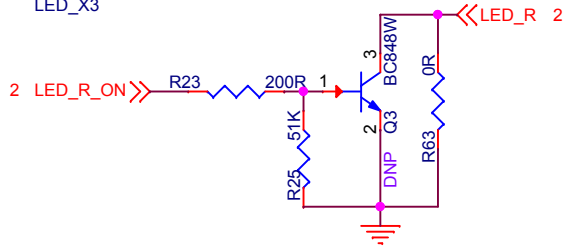


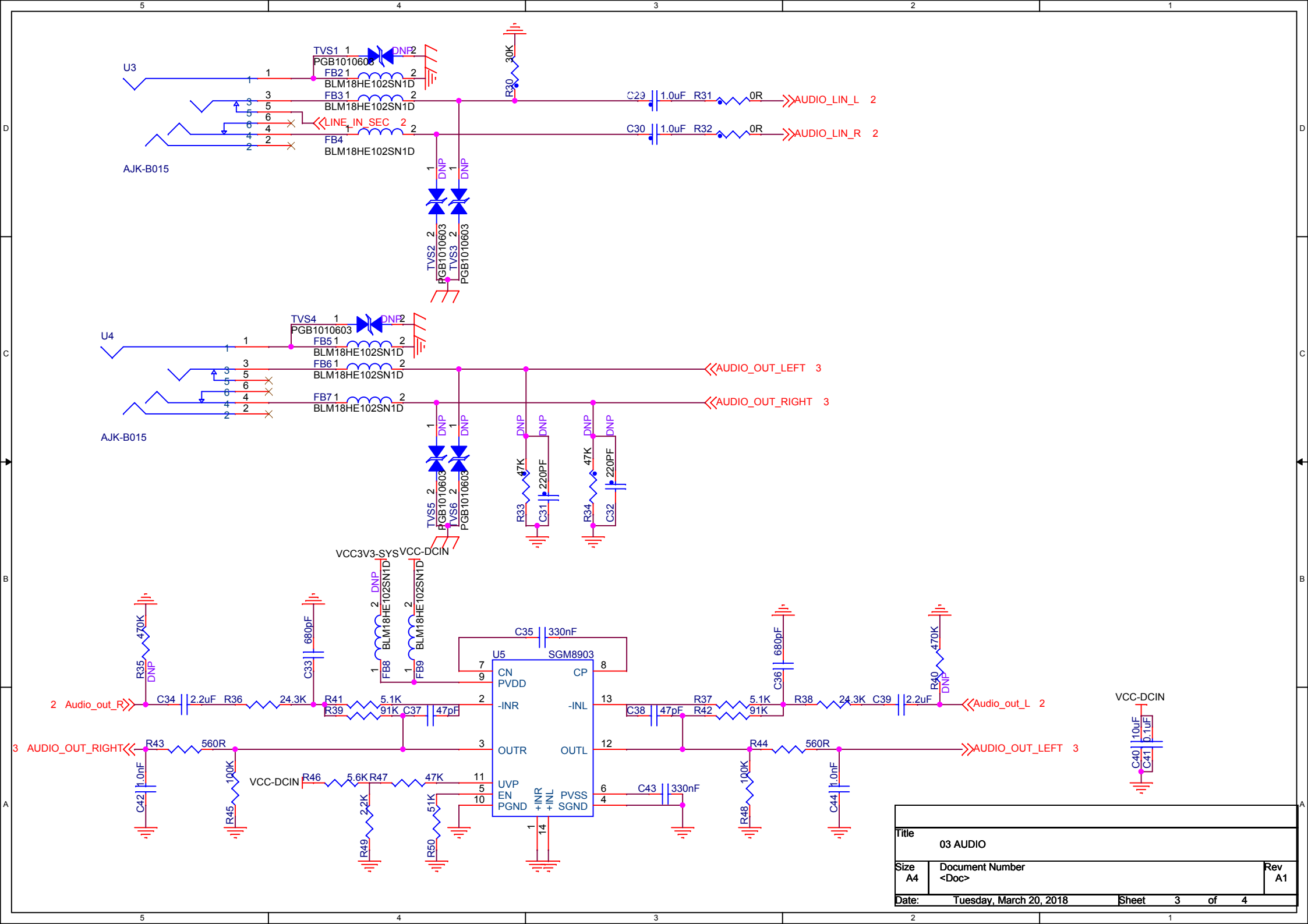
Title		
POWER IN		
Size	Document Number	Rev
A4	<Doc>	A1
Date:	Tuesday, March 20, 2018	Sheet 1 of 4



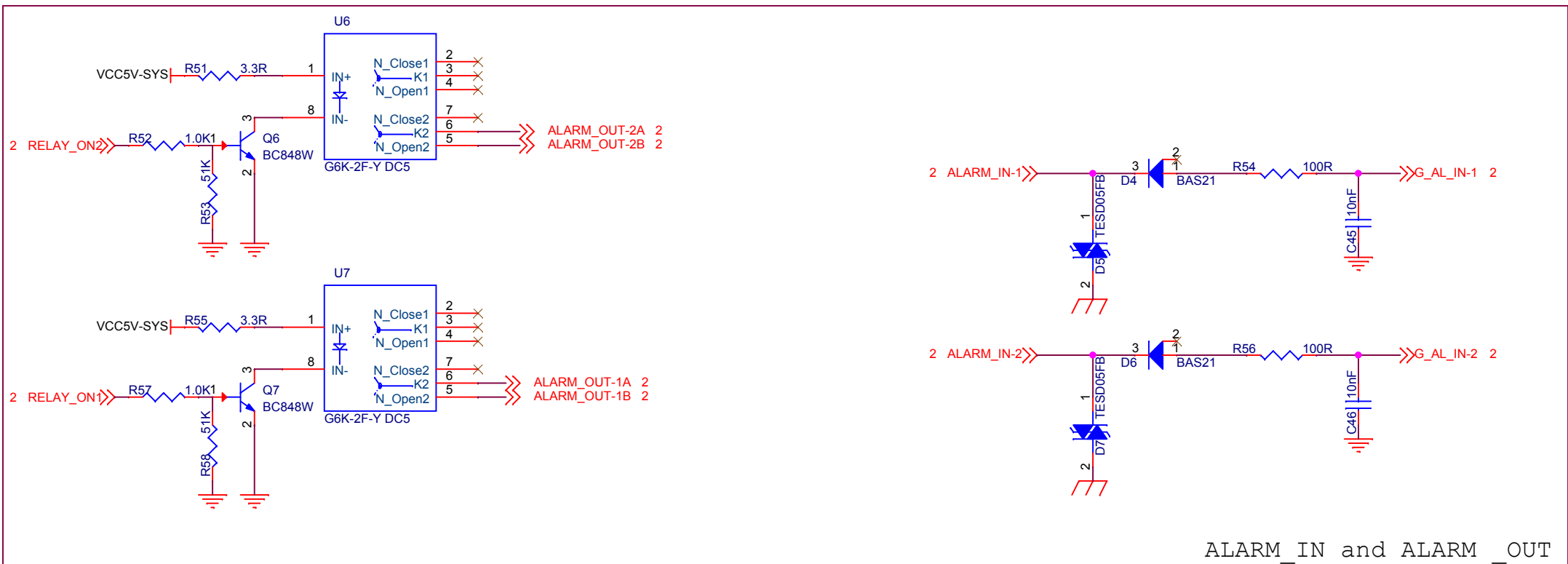
Change the R_LED and Y_LED to fullfill the package LED_X3



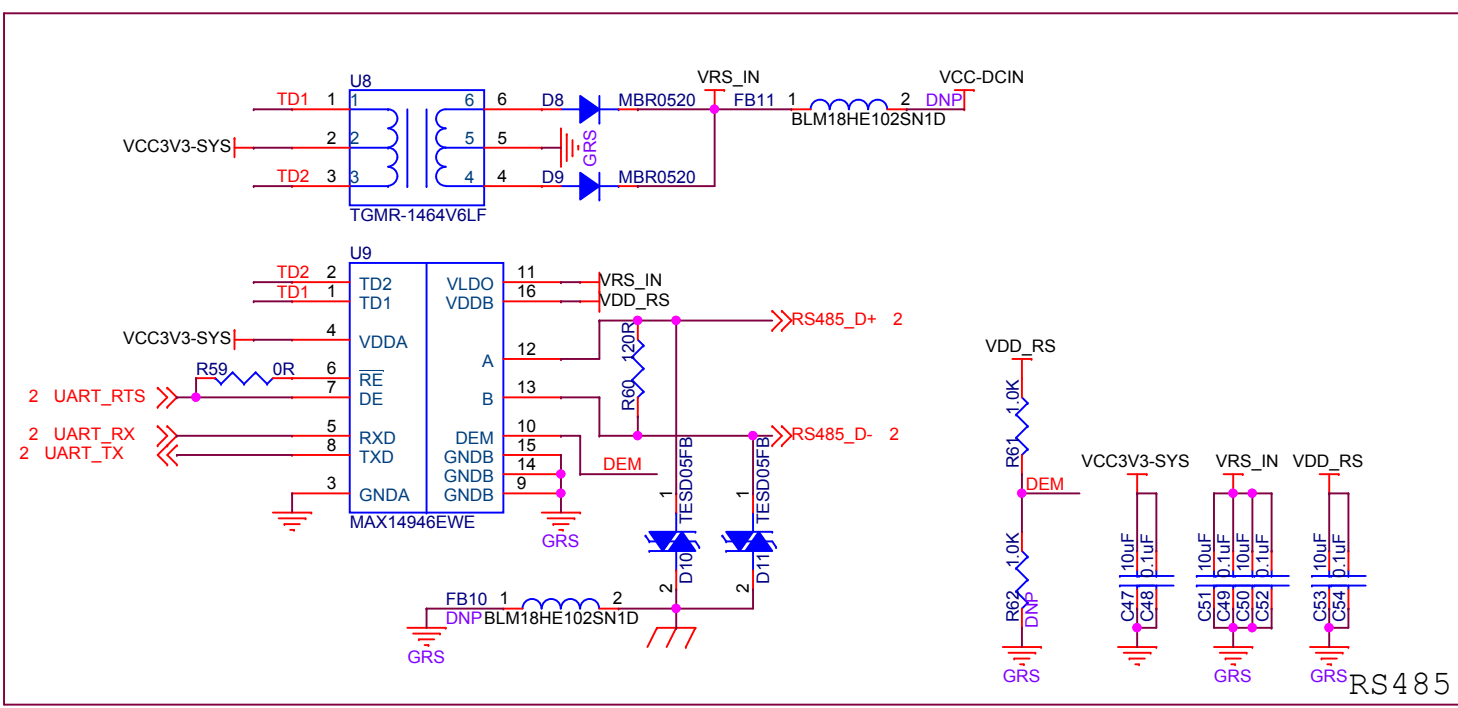
Title		
CONNECTOR LED		
Size	Document Number	Rev
A4	<Doc>	A1
Date:	Tuesday, March 20, 2018	Sheet 2 of 4



Title		
03 AUDIO		
Size	Document Number	Rev
A4	<Doc>	A1
Date:	Tuesday, March 20, 2018	Sheet 3 of 4



ALARM_IN and ALARM_OUT



Title		
ALARM_RS485		
Size	Document Number	Rev
A4	<Doc>	A1
Date:	Tuesday, March 20, 2018	Sheet 4 of 4