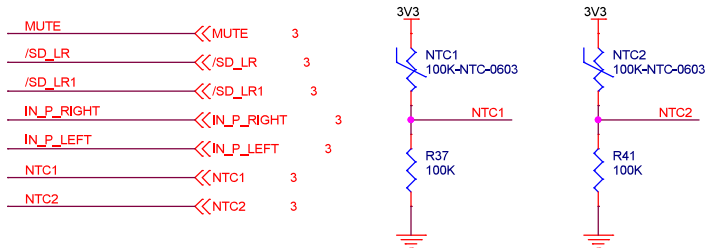
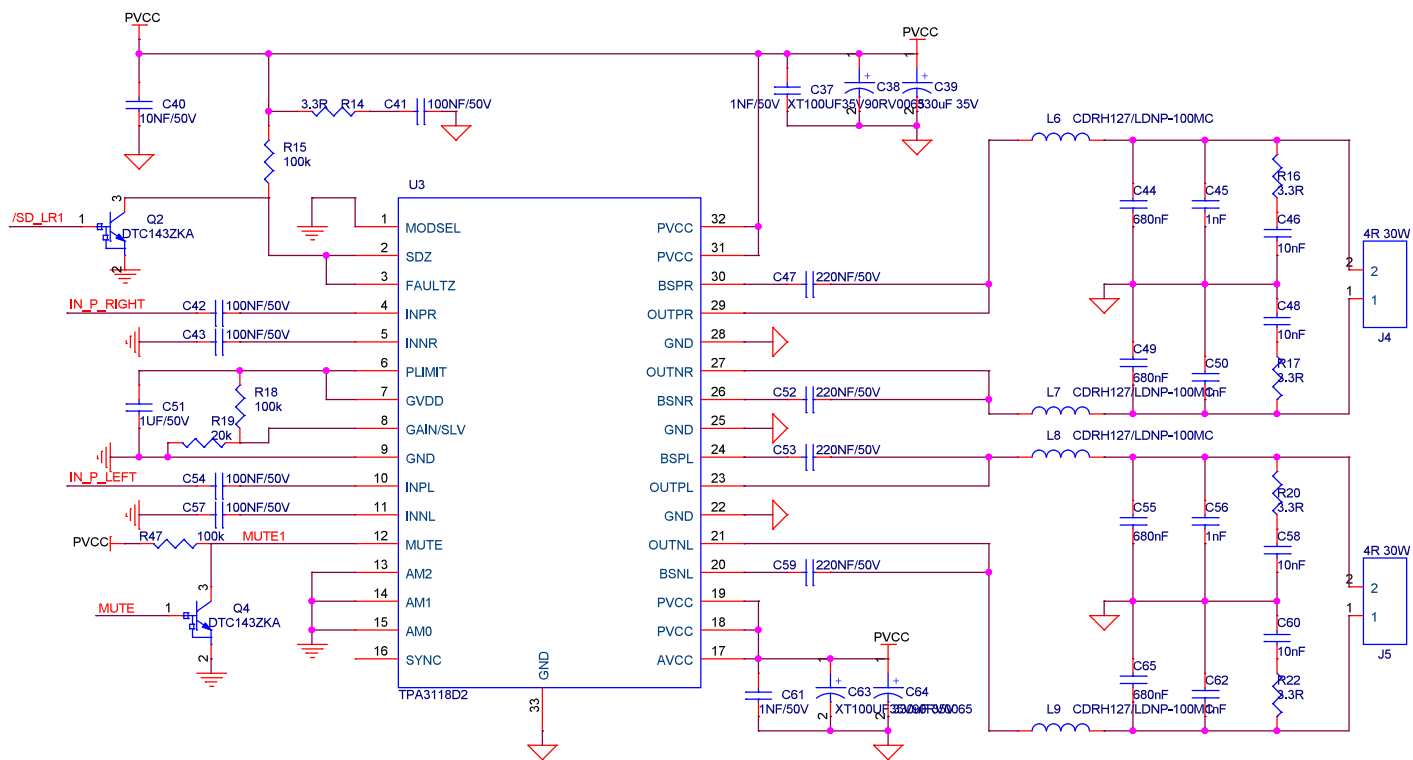
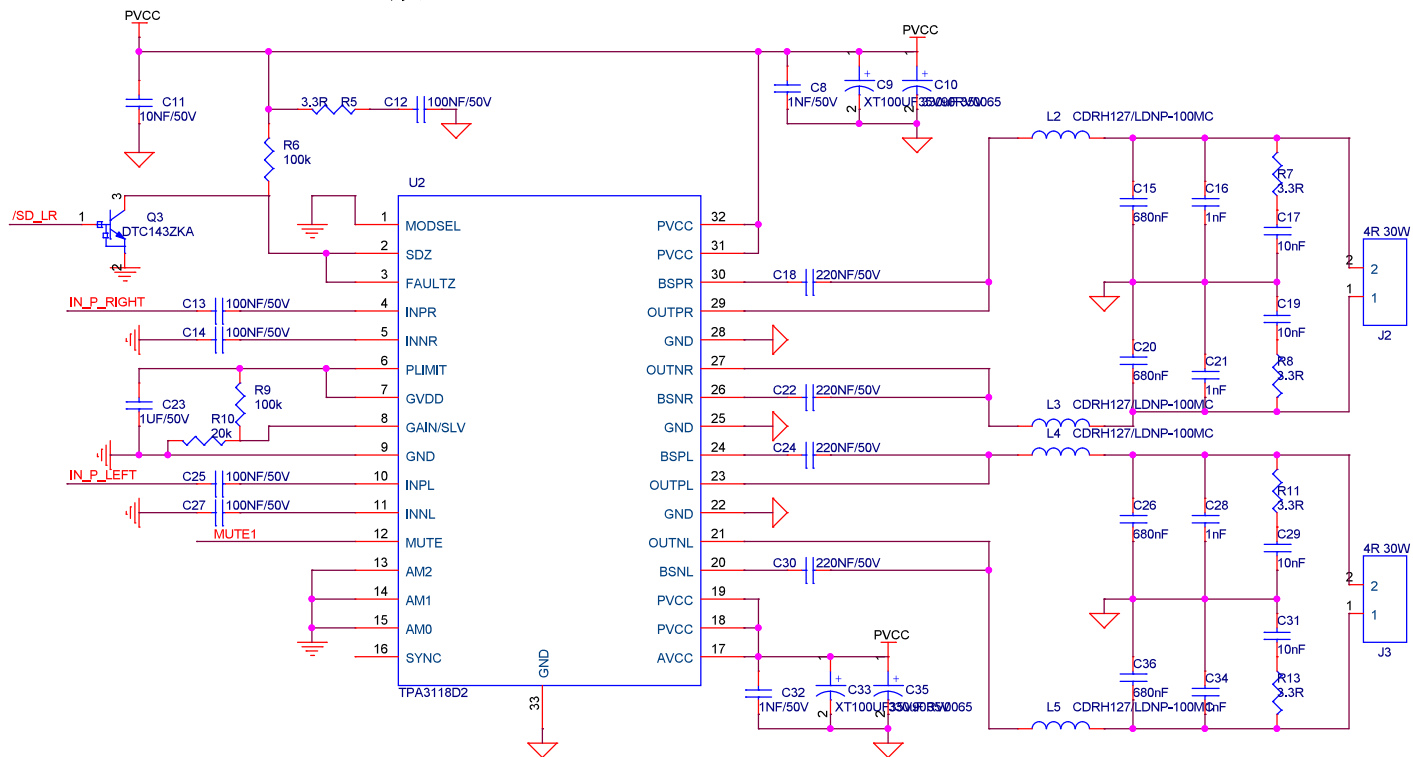


运放



Title		
Size	Document Number	Rev
Customer	<Doc>	
Date:	Tuesday, November 15, 2022	Sheet 2 of 3